

FO connectors - VS-PPC-C1-SCRJ-MNNA-PG9-A4D-C - 1608032

Please be informed that the data shown in this PDF Document is generated from our Online Catalog. Please find the complete data in the user's documentation. Our General Terms of Use for Downloads are valid (<http://download.phoenixcontact.com>)



Fiber optic connector SCRJ, IP67, with push-pull interlocking, metal housing, duplex, with fast connection technology, for polymer fiber 980/1000 µm, for individual wire diameter 2.2 mm, for cable cross section 6.5 mm ... 9.5 mm



Key commercial data

package_quantity	1
GTIN	4046356131704

Technical data

Mechanical characteristics

Number of positions	2
Connection profile	SCRJ in acc. with IEC 61754-24
Locking type	Push Pull
Fiber type	Polymer Fiber
Ferrule diameter	2.50 mm
Insertion/withdrawal cycles	≥ 500
External cable diameter	6.5 mm ... 9.5 mm
Color	silver

Ambient conditions

Ambient temperature (operation)	-40 °C ... 70 °C
Degree of protection	IP65/67

Material data

Inflammability class according to UL 94	V0
Housing material	Zinc die-cast
Housing surface material	Nickel-plated
Material	Metal
Material, O-ring	NBR
Cable seal material	TPE
Material housing intermediate seal	NBR
Ferrule material	Copper alloy
Ferrule holder color	Blue

Electrical characteristics

FO connectors - VS-PPC-C1-SCRJ-MNNA-PG9-A4D-C - 1608032

Technical data

Electrical characteristics

Number of positions	2
Pollution degree	2

classifications

eCl@ss

eCl@ss 4.0	272607xx
eCl@ss 4.1	27260701
eCl@ss 5.0	27260701
eCl@ss 5.1	27260701
eCl@ss 6.0	27260708
eCl@ss 7.0	27440312
eCl@ss 8.0	27440312

ETIM

ETIM 3.0	EC001122
ETIM 4.0	EC001122
ETIM 5.0	EC001122

UNSPSC

UNSPSC 6.01	31261501
UNSPSC 7.0901	31261501
UNSPSC 11	31261501
UNSPSC 12.01	31261501
UNSPSC 13.2	31261501

approvals

UL Listed / GOST / GOST /

Approval details



FO connectors - VS-PPC-C1-SCRJ-MNNA-PG9-A4D-C - 1608032

accessories

Assembly tool

VS-SCRJ-POF-KONFTOOL-POLISH - 1658820

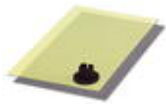


accessories

TF-SCRJ-POF KONF SET - 1405246



VS-SCRJ-POF-POLISH - 1656673



KAMES LWL - 1206146



VS-ZBFM-8-SET - 0814775



FO connectors - VS-PPC-C1-SCRJ-MNNA-PG9-A4D-C - 1608032

accessories

CUTFOX-SCRJ-POF - 1405247



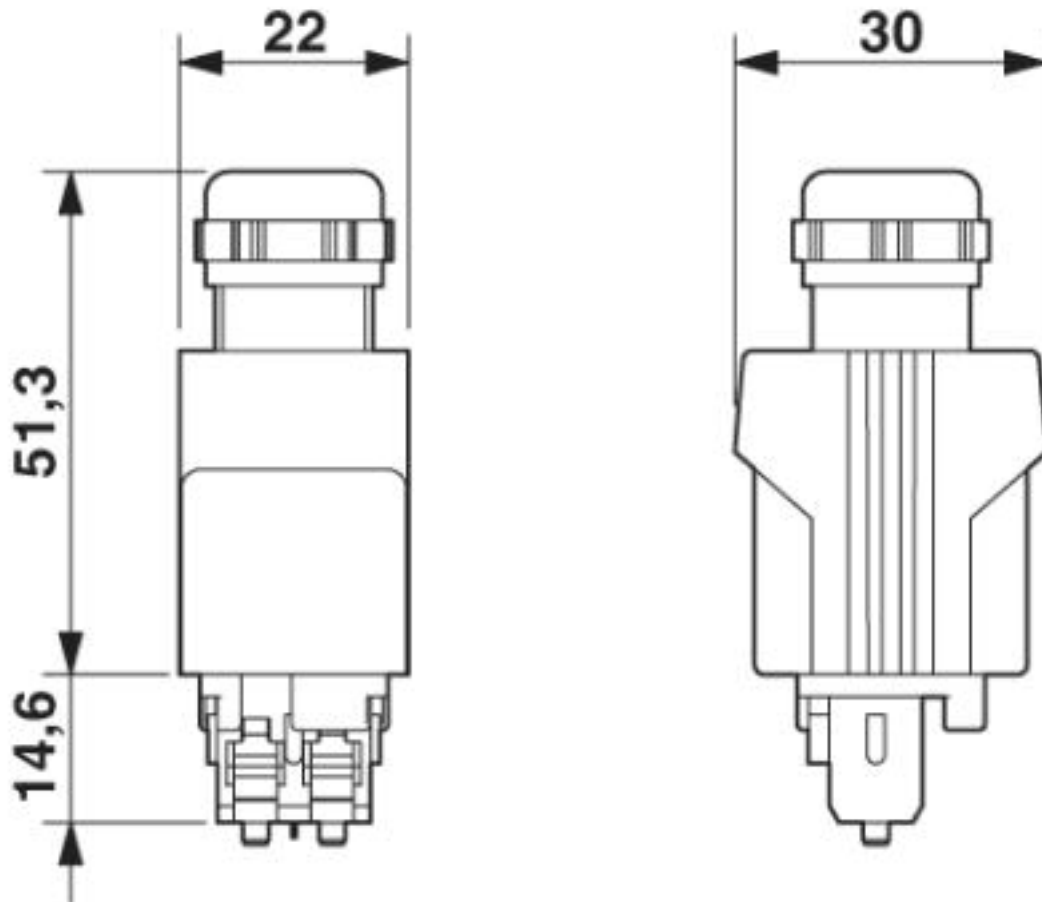
WIREFOX-PN POF - 1405249



Drawings

FO connectors - VS-PPC-C1-SCRJ-MNNA-PG9-A4D-C - 1608032

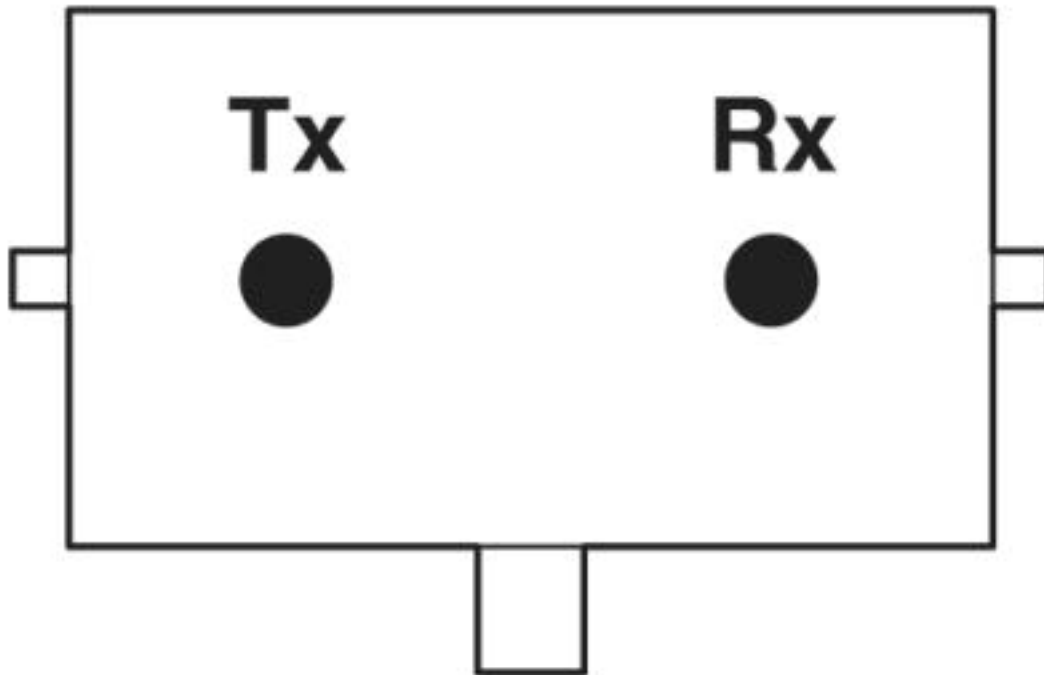
Dimensioned drawing



Push-Pull SCRJ connector IP65/67

FO connectors - VS-PPC-C1-SCRJ-MNNA-PG9-A4D-C - 1608032

Schematic diagram



© Phoenix Contact 2013 - all rights reserved
<http://www.phoenixcontact.com>