

Passive module - FLKM 50/32M/SI/PLC - 2294490

Please be informed that the data shown in this PDF Document is generated from our Online Catalog. Please find the complete data in the user's documentation. Our General Terms of Use for Downloads are valid (<http://download.phoenixcontact.com>)



VARIOFACE module, for 32 channels, each with an additional terminal block and fuse per signal, (common minus potential)

Product Features

- Plug-in fuse (IEC 127-3, 2AF) per voltage supply (F2)
- Negative connection per signal
- Byte-by-byte labeling
- Plug-in fuse (IEC 127-3, 1AF) per signal path (F1)
- Can be used for digital I/O modules



Key commercial data

package_quantity	1
GTIN	4017918148973

Technical data

Dimensions

Width	192 mm
Height	90 mm
Depth	68 mm

Ambient conditions

Ambient temperature (operation)	-20 °C ... 50 °C
Ambient temperature (storage/transport)	-20 °C ... 70 °C

General

Nominal voltage U_N	60 V DC
Max. current carrying capacity per branch	1 A
Max. total current of voltage supply	2 A (per byte)
Number of positions	50
Status display	No
Test voltage	500 V (50 Hz, 1 min.)
Mounting position	Any
Standards/regulations	IEC 60664

Passive module - FLKM 50/32M/SI/PLC - 2294490

Technical data

General

Standards/regulations	DIN EN 50178
Standards/regulations	IEC 62103
Pollution degree	2
Surge voltage category	II
Rated surge voltage	0.8 kV

Connection data for connection 1

Connection name	Field level
Connection in acc. with standard	IEC / EN
Connection method	Screw connection
Conductor cross section solid min.	0.2 mm ²
Conductor cross section solid max.	4 mm ²
Conductor cross section stranded min.	0.2 mm ²
Conductor cross section stranded max.	2.5 mm ²
Conductor cross section AWG/kcmil min.	24
Conductor cross section AWG/kcmil max	12
Stripping length	8 mm
Screw thread	M3

Connection data for connection 2

Connection name	Control system level
Number of connections	1
Connection method	IDC/FLK pin strip (2.54 mm)
Number of positions	50

Supported controller

Control	SIEMENS S7-400
- suitable I/O card	6ES7 421-1BL01-0AA0
- suitable I/O card	6ES7 422-1BL00-0AA0
- suitable I/O card	6ES7 422-7BL00-0AB0
Control	ALLEN-BRADLEY ControlLogix
- suitable I/O card	1756-IB32
- suitable I/O card	1756-OB32
Control	ALLEN-BRADLEY PLC 5
- suitable I/O card	1771 IBN
- suitable I/O card	1771 OBN
Control	HONEYWELL PlantScape
- suitable I/O card	TC-IDD 321
- suitable I/O card	TC-ODD 321
Control	MITSUBISHI MELSEC L
- suitable I/O card	LX41C4
- suitable I/O card	LX42C4
- suitable I/O card	LY41NT1P

Passive module - FLKM 50/32M/SI/PLC - 2294490

Technical data

Supported controller

- suitable I/O card	LY42NT1P
- suitable I/O card	LY41PT1P
- suitable I/O card	LY42PT1P
Control	MITSUBISHI MELSEC Q
- suitable I/O card	QX81
- suitable I/O card	QY81P
- suitable I/O card	QX41
- suitable I/O card	QX41-S1
- suitable I/O card	QX42
- suitable I/O card	QX42-S1
- suitable I/O card	QX71
- suitable I/O card	QX72
- suitable I/O card	QY41P
- suitable I/O card	QY42P
- suitable I/O card	QY71
- suitable I/O card	QH42P
- suitable I/O card	QX82
- suitable I/O card	QX82-S1
Control	Schneider Electric MODICON TSX QUANTUM
- suitable I/O card	DDI 353
- suitable I/O card	DDI 853
- suitable I/O card	DAI 353
- suitable I/O card	DAI 453
- suitable I/O card	DDO 353
Control	SIEMENS S7-300 / ET 200 M
- suitable I/O card	CPU 313C-2DP
- suitable I/O card	CPU 314C-2DP
- suitable I/O card	CPU 314C-2PtP
- suitable I/O card	6ES7 321-1BL00-0AA0
- suitable I/O card	6ES7 322-1BL00-0AA0
- suitable I/O card	6ES7 323-1BL00-0AA0
- suitable I/O card	CPU 313C
- suitable I/O card	CPU 313C-2PtP
Control	GE-FANUC RX3i
- suitable I/O card	IC694MDL754
- suitable I/O card	IC694MDL660

classifications

eCl@ss

eCl@ss 4.0	27250313
------------	----------

Passive module - FLKM 50/32M/SI/PLC - 2294490

classifications

eCl@ss

eCl@ss 4.1	27250313
eCl@ss 5.0	27250313
eCl@ss 5.1	27250313
eCl@ss 6.0	27371601
eCl@ss 7.0	27371601
eCl@ss 8.0	27371601

ETIM

ETIM 2.0	EC001437
ETIM 3.0	EC001437
ETIM 4.0	EC001437
ETIM 5.0	EC001437

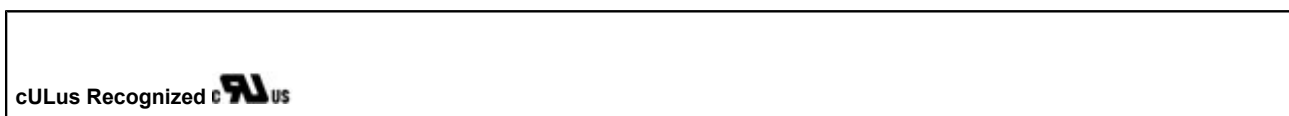
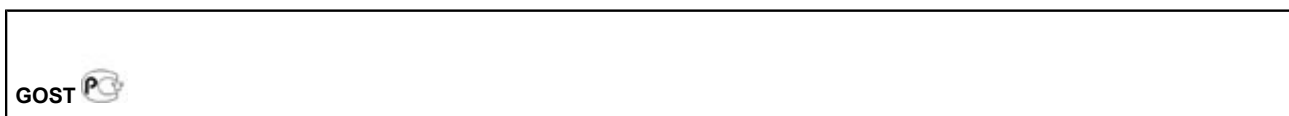
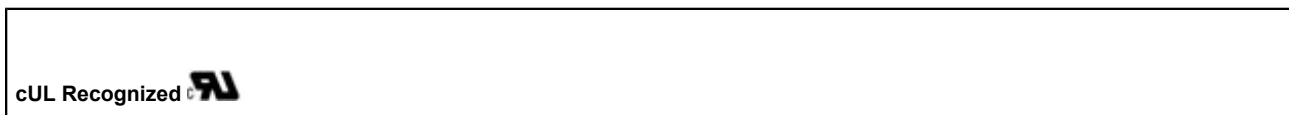
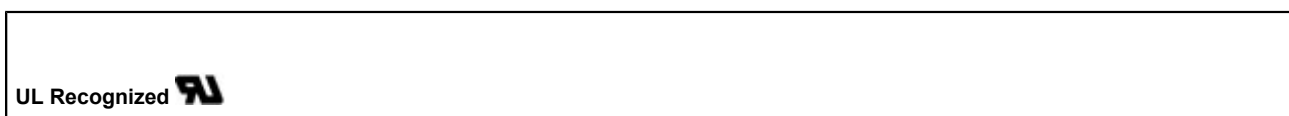
UNSPSC

UNSPSC 6.01	30211824
UNSPSC 7.0901	39121421
UNSPSC 11	39121421
UNSPSC 12.01	39121421
UNSPSC 13.2	39121421

approvals

UL Recognized / cUL Recognized / GOST / cULus Recognized /

Approval details



Passive module - FLKM 50/32M/SI/PLC - 2294490

accessories

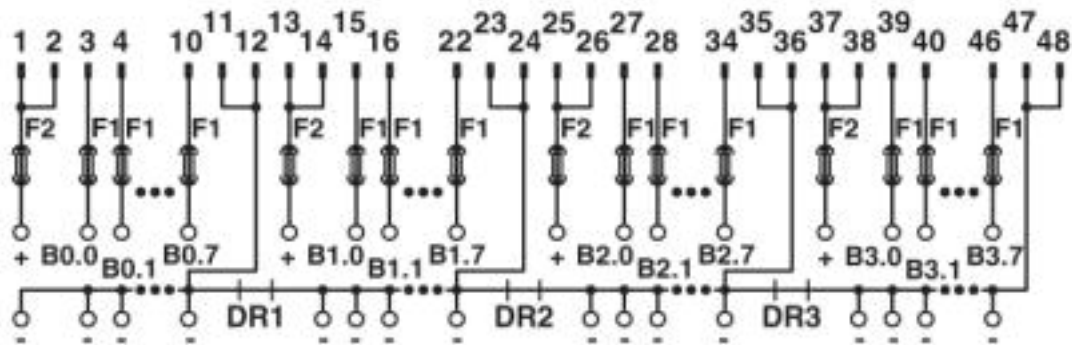
Fuse

VF-SI/TR5/1AF - 2901003



Drawings

Circuit diagram



Connection scheme: FLKM 50/32M/SI/PLC

© Phoenix Contact 2013 - all rights reserved
<http://www.phoenixcontact.com>