



Your Sensor Partner

SECATEC electronic GmbH
Knappenstrasse 154
D-57581 Katzwinkel

phone: +49 2741 9460-0
fax: +49 2741 8501

mail: info@secatec.de
web: www.secatec.de

technical data

31.10.2013

reed-magnetic switch

AC/DC 3-wire

Ø16mm / M18 x 1

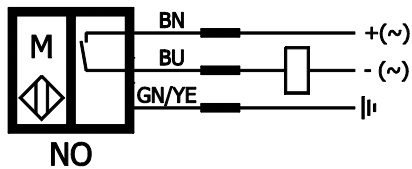
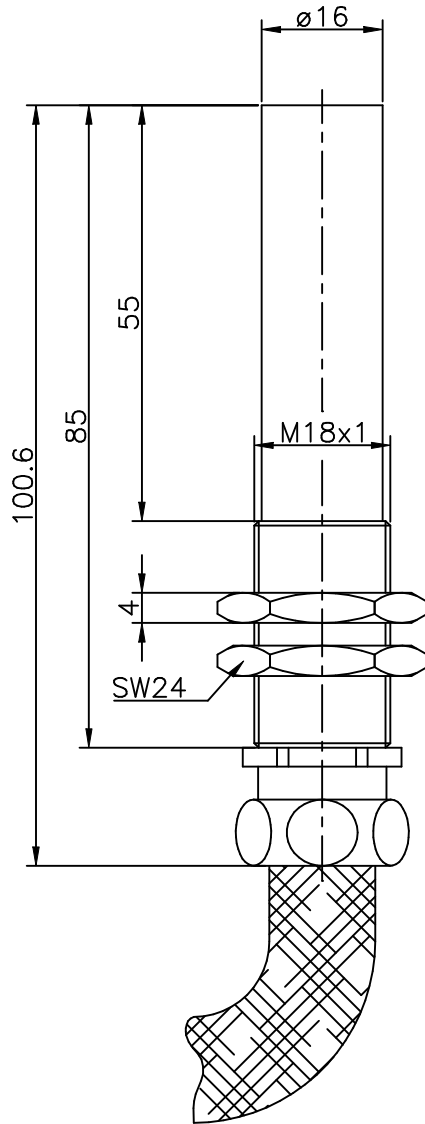
ident-no.:
71342_CO
type:
Conrad-Typ: 792840

revision index: 000

output	NO
switching capacity	max. 120 W/VA
switching voltage	250 V AC/DC
switching current	max. 3000 mA
switch on time	2,0 ms
switch off time	1,0 ms
switching frequency	max. 100 Hz
lifetime at nominal load	10 ⁵ to 10 ⁶ operations
operating temperature range	-40°C ... +200°C
degree of protection acc. to DIN 60 529	IP67
dielectric test voltage ac (rms.) Ui	2000 V
on/off indication	---
housing material	stainless steel
connection	1m silicone-cable with flex. protection hose 3 x 0,75mm ²

Applications are inadmissible when safety of persons depends on the function of the device.

SECATEC electronic GmbH reserves the right to change or discontinue these products without notice and does not assume any liability arising by use the product with non-compliance of this specifications.



Schutzvermerk nach DIN 34 beachten	(Zul.Abw.) Allgemeintol. nach DIN ISO 2768-m	Oberfläche nach DIN 3141	Maßstab 1:1	(Gewicht)
	2013	Datum	Name	(Werkstoff, Halbzeug) (Rohteil-Nr.) (Modell- oder Gesenk-Nr.)
	Bearb.	31.10.	CS	(Benennung)
	Gepr.			Hochtemp. Magnetschalter ø16x101mm Schließer
				(Zeichnungsnummer)
				71342_CO
Änderungsindex	Datum	Name	(Urspr.)	(Ers.f.:
				(Ers.d.:


Secatec
 electronic GmbH
 Knappenstraße 154
 D-57581 Katzwinkel
 (0049)02741/9460-0
 www.secatec.de



Blatt
 Bl.