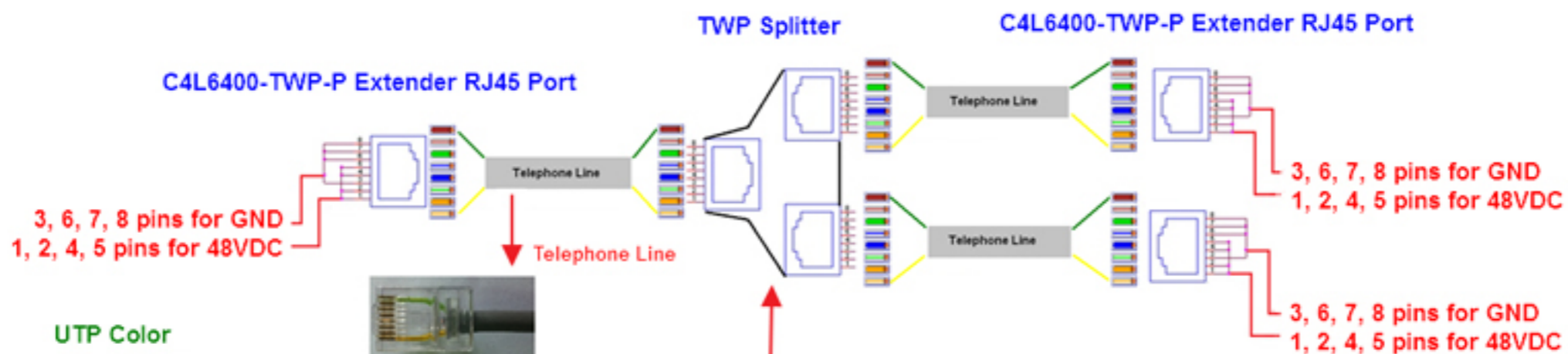


2Wire Telephone line connection for C4L6400-TWP-P extended port

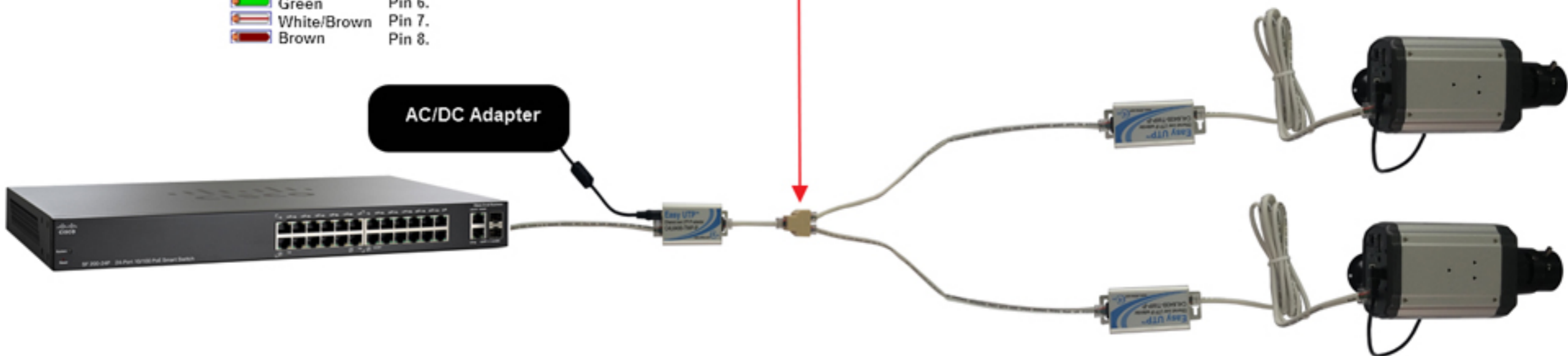


UTP Color

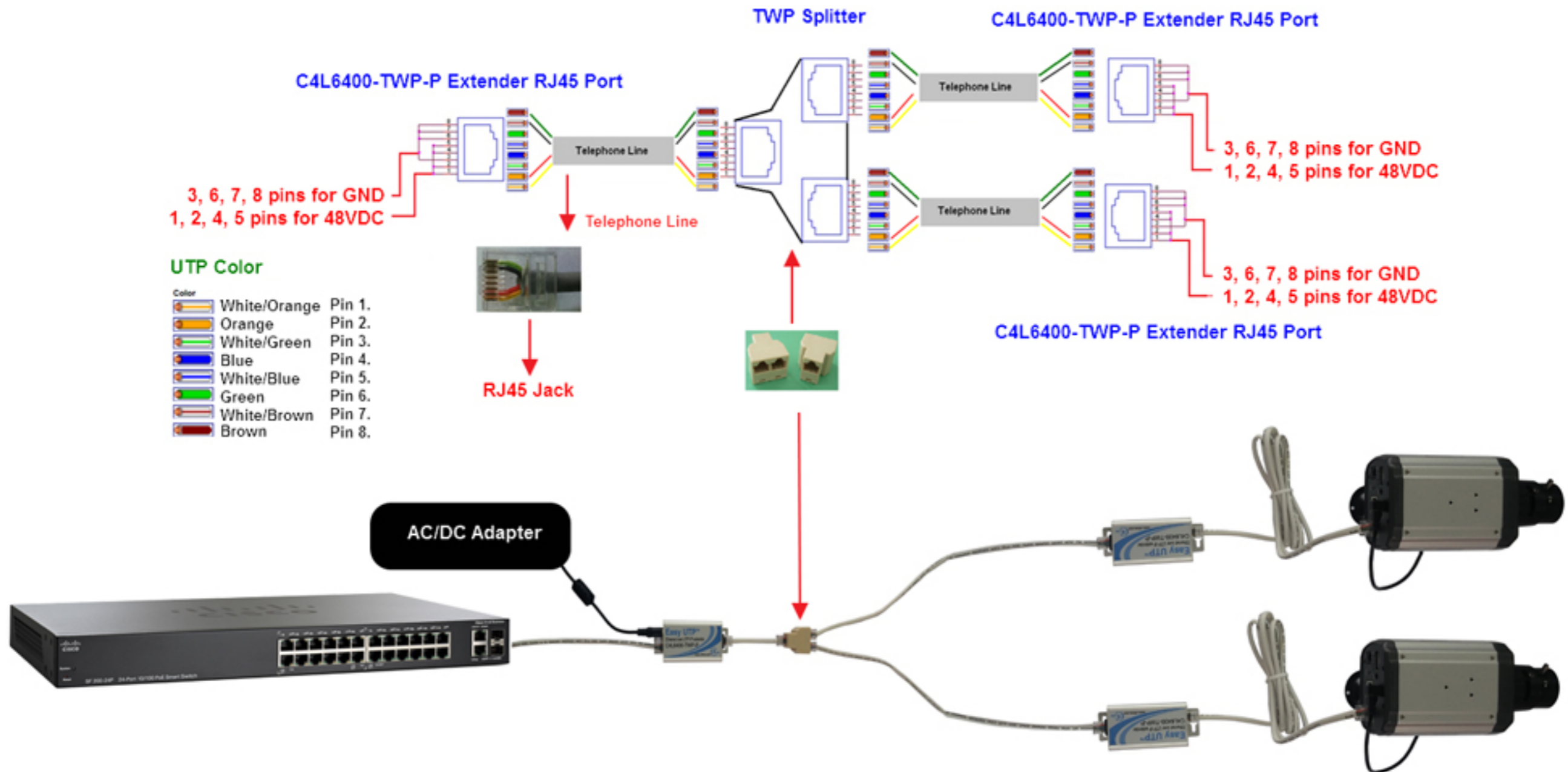
Color	Pin
White/Orange	Pin 1.
Orange	Pin 2.
White/Green	Pin 3.
Blue	Pin 4.
White/Blue	Pin 5.
Green	Pin 6.
White/Brown	Pin 7.
Brown	Pin 8.

RJ45 Jack

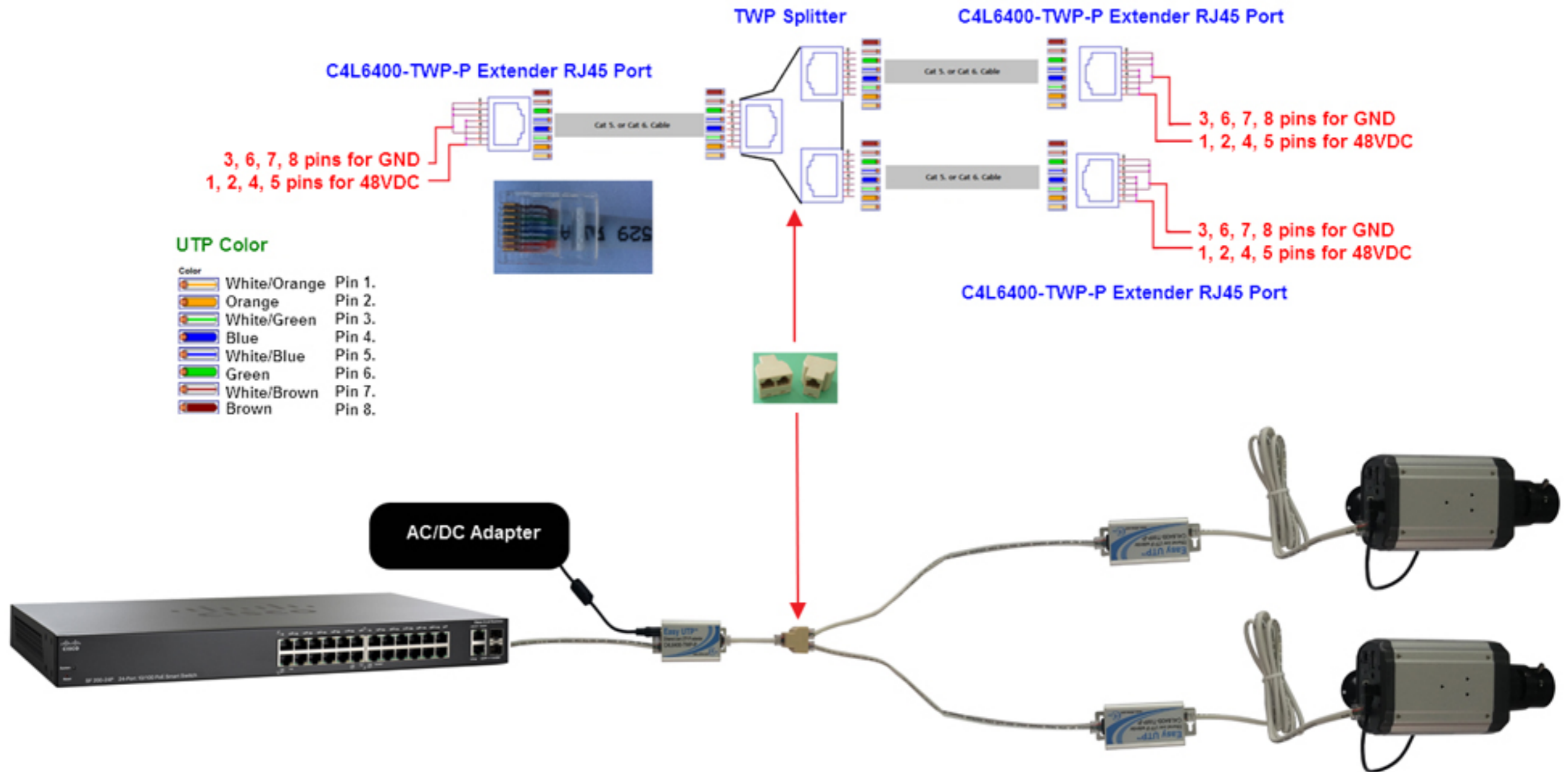
AC/DC Adapter

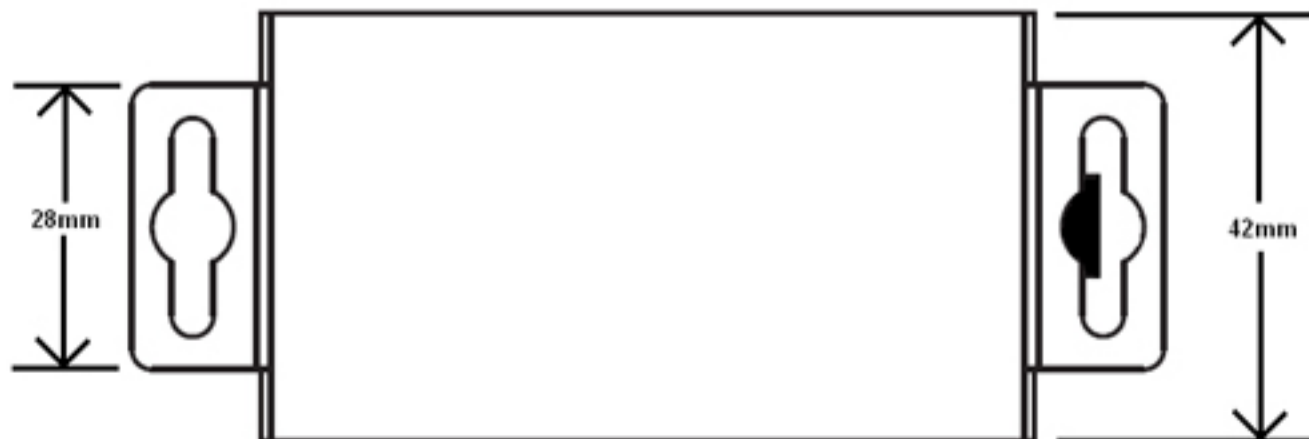
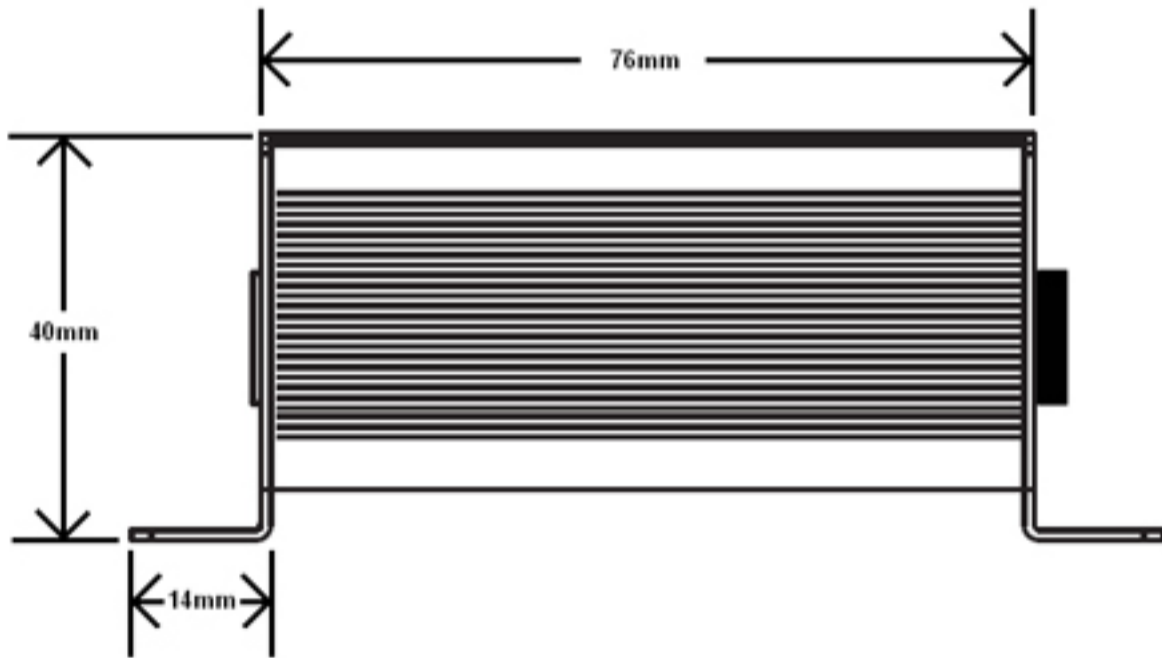
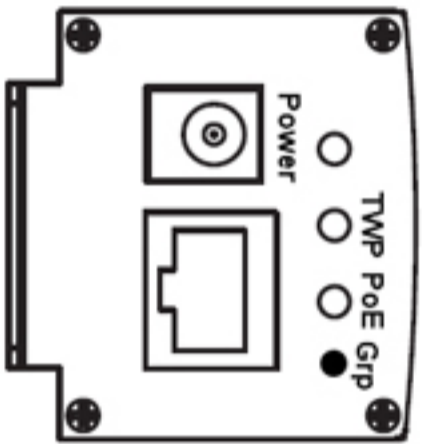
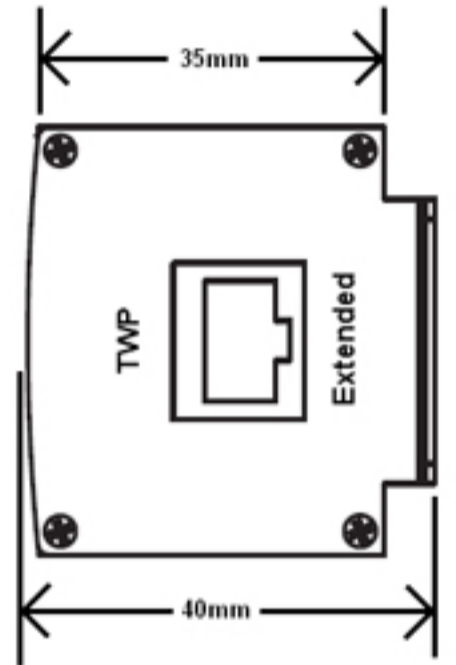
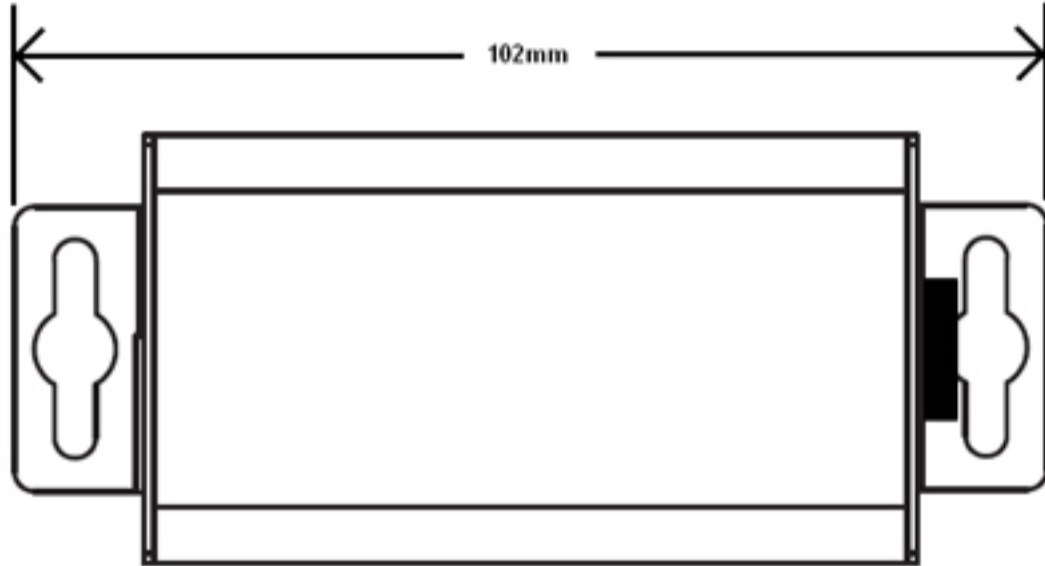
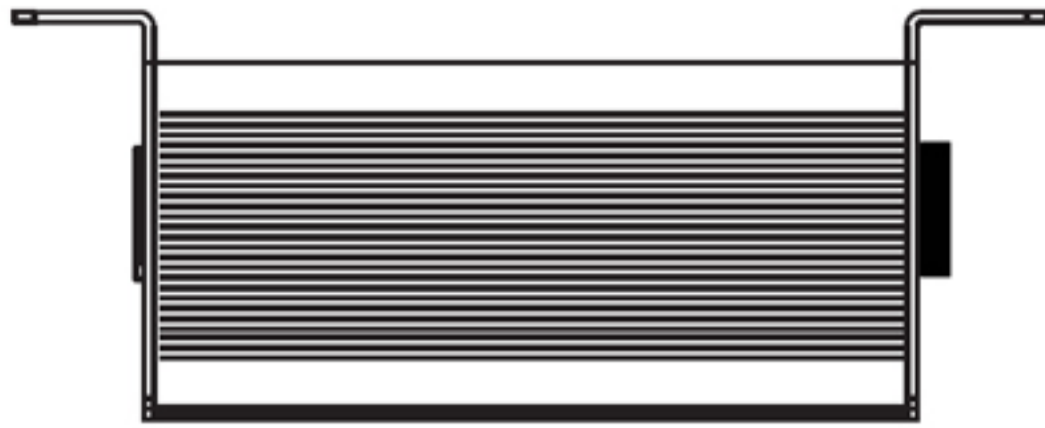


4Wire Telephone line connection for C4L6400-TWP-P extended port

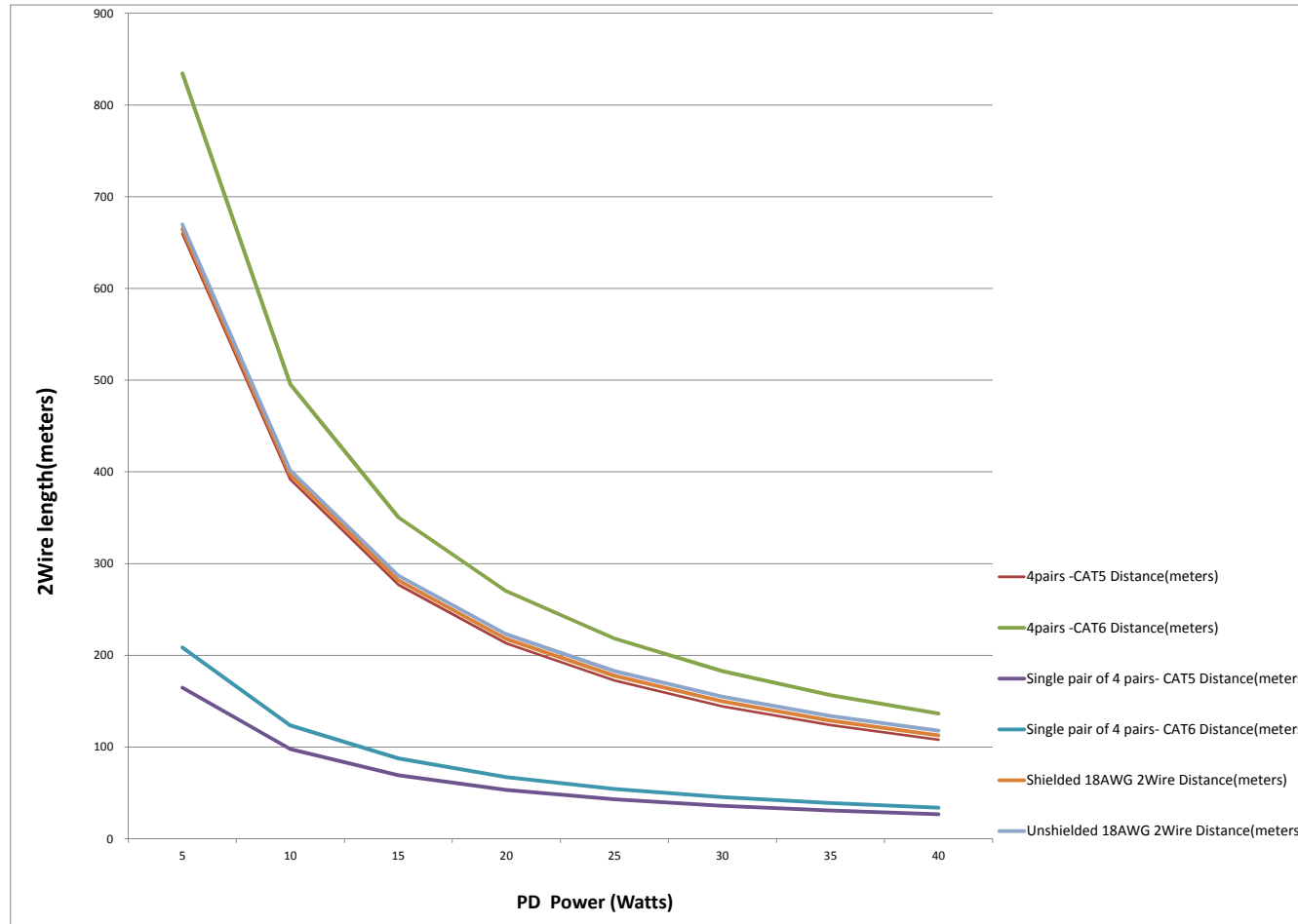


Ethernet cable connection for C4L6400-TWP-P extender port





Remote PD Power(Watts)	4pairs -CAT5 Distance(meters)	4pairs -CAT6 Distance(meters)	Single pair of 4 pairs- CAT5 Distance(meters)	Single pair of 4 pairs- CAT6 Distance(meters)	Shielded 18AWG 2Wire Distance(meters)	Unshielded 18AWG 2Wire Distance(meters)
5	660	835	165	209	665	670
10	392	496	98	124	397	402
15	277	351	69	88	282	287
20	213	270	53	67	218	223
25	173	218	43	55	178	183
30	145	183	36	46	150	155
35	124	157	31	39	129	134
40	108	137	27	34	113	118



Wire Type / Bandwidth (Mbps)	10	20	30	40	50	60	70	80	93	94	94	94	94	94
4Pairs - CAT 5	671	650	620	590	560	535	503	475	419	200	100	50	20	10
4Pairs - CAT 6	738	710	682	649	616	583	553	524	461	200	100	50	20	10
Single Pair - CAT 5	640	620	592	563	535	510	480	450	400	200	100	50	20	10
Single Pair - CAT 6	704	680	651	620	588	560	528	500	440	200	100	50	20	10
Sheilded 18 AWG 2Wire	396	383	366	349	331	315	297	280	247	200	100	50	20	10
Unsheilded 18 AWG 2Wire	610	590	564	536	509	485	457	430	381	200	100	50	20	10

