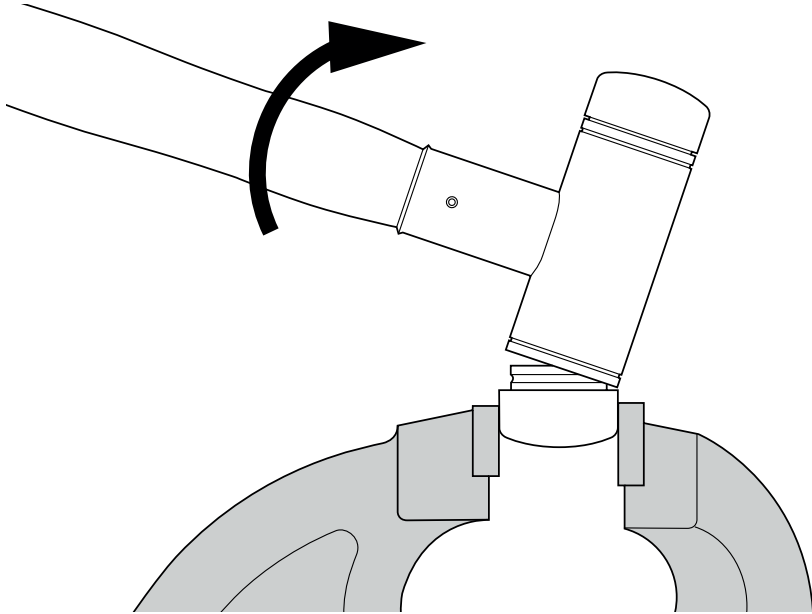


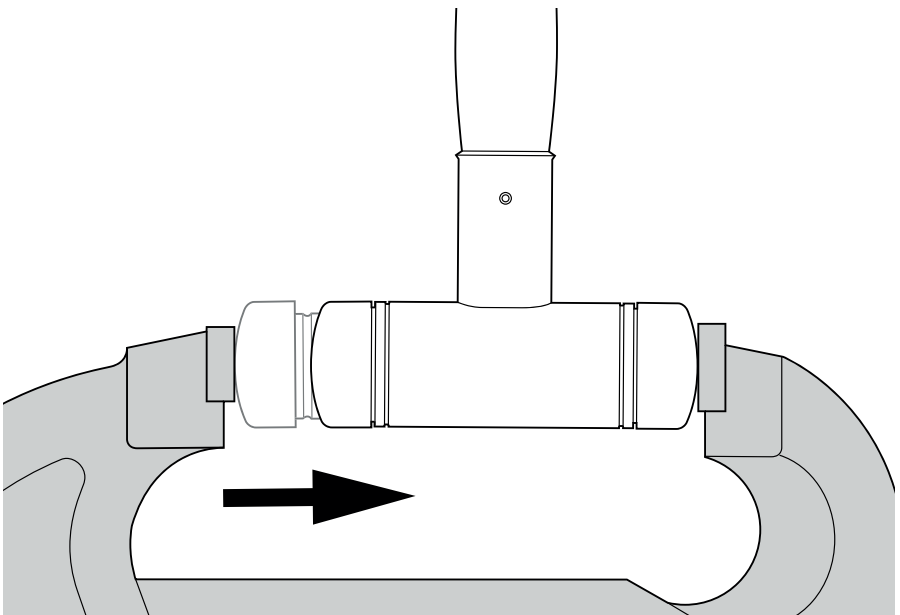
Soft-faced hammer, dead-blow

Changing the hammer face

1



2



Simple replacement of outworn hammer faces:

- 1 Secure the hammer in the vice, lift away the old hammer face.
- 2 Press in the new hammer face in the vice.