

PROXXON

Ihr Gerät funktioniert nicht ordentlich? Dann bitte die Bedienungsanleitung noch einmal genau durchlesen. Ist es tatsächlich defekt, senden Sie es bitte an:

PROXXON Zentralservice
D-54518 Niersbach

PROXXON Zentralservice
A-4224 Wartberg/Aist

Wir reagieren prompt und zuverlässig! Über diese Adresse können Sie auch alle erforderlichen Ersatzteile bestellen.

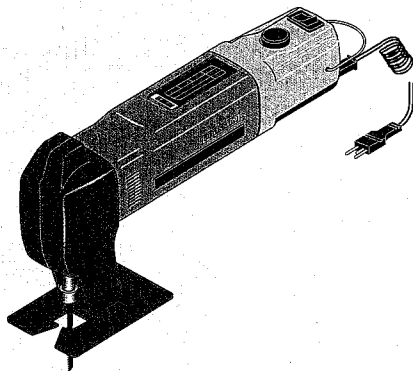
Wichtig: Eine kurze Fehlerbeschreibung hilft uns, noch schneller zu reagieren. Bei Rücksendungen innerhalb der Garanzzeit bitte Kaufbeleg beifügen.

Änderungen im Sinne des technischen Fortschritts behalten wir uns vor.

805726

PROXXON

STS 12/E



Manual

(D)

(GB)

(F)

(I)

(E)

(NL)

(DK)

(S)

(CZ)

(TR)

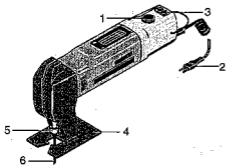


Fig. 1

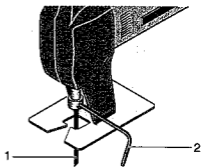


Fig. 2

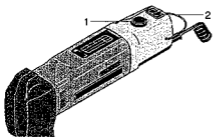


Fig. 3

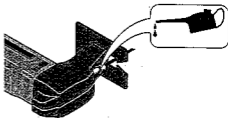


Fig. 4

Dear customer,
Please read the enclosed safety regulations and operating instructions carefully before using the unit.

Attention!

- Keep the working area clean and tidy.
 - Do not use electrical tools in rain, under wet conditions or in the vicinity of inflammable liquids or gases.
 - Avoid contact with earthed parts such as pipes, radiators, cookers and refrigerators.
 - Keep children away from the working area.
 - Always wear goggles.
 - Wear a breathing mask under dusty working conditions.
 - Store unused tools in a locked room out of the reach of children.
 - Before starting to work check the machine for any obvious faults, replace damaged parts.
 - Do not overload the machine.
 - Do not use weak tools for heavy duty work.
 - Do not carry the machine by the power cable.
 - Protect the power cable against heat and sharp edges and only have it replaced by a specialist
 - Fasten and clamp the workpiece securely.
 - Replace blunt tools.
 - Clean the machine thoroughly after use.
 - Always disconnect the power cable if the machine is not in use, when changing tools or case of repairs.
 - Inspect unit for damage before use
 - replace defective parts.
 - Repairs in the electric system should only be carried out by a specialist.
 - Use only accessories and spare parts which are mentioned in these instructions or recommended by the manufacturer.
 - Keep fingers away from rotating and fast-moving tools (saw blade etc.).
- We reserve the right to make further alterations for the purpose of technical progress.

General view (Fig. 1):

1. Speed control knob
2. Power cable
3. ON/OFF switch
4. Sliding foot
5. Saw blade mount
6. Saw blade

Description of the machine

The PROXXON-MICROMOT Jig Saw STS 12/E is the ideal device for curved cuts in wood (up to 10 mm), sheet metal (up to 3 mm) and non-ferrous metals (up to 2.5 mm). A high-torque permanent magnet motor with electronic speed control ensures sufficient cutting power.

Technical data

Length:	approx. 160 mm
Weight:	approx. 400 g
Stroke:	6 mm
No. of strokes:	2,000-5,000/min
Voltage:	12-18 Volt ----
Power rating:	100 watt
Noise emission:	≤ 70 dB(A)
Vibration:	≤ 2.5 m/s ²

Connecting the device

1. Ensure that the tool is switched off before connecting to voltage supply unit.
2. Note correct polarity of plug.

Note:

- Only use voltage supply units with sufficient power rating. We recommend the PROXXON Voltage Supply Unit NG 2(E) or NG 5(E).
- When using an adjustable voltage supply unit, switch the voltage supply unit to maximum (max. 18 Volts) and control output at the tool.
- Tool control only functions when using voltage supply units that are not stabilised (all PROXXON voltage supply units). When using a stabilised voltage supply unit or a battery, the tool operates at maximum speed.
- PROXXON voltage supply units switch off automatically when overloaded. Pull out the mains plug and allow the voltage control unit to cool for several minutes.

Important

Only use safety transformers.

Operation

Clamping and replacing saw blades

Important

Disconnect the mains plug before replacing saw blades.

1. Loosen clamp screw using the internal hex tool provided (Allen) 2 (Fig. 2).
2. Insert saw blade 1 into slot in reciprocating plunger and tighten clamp screw.

Working with the tool

Important

Only sharp saw blades in good condition will provide satisfactory cutting performance and prevent the tool being overloaded. For this reason, promptly replace blunt saw blades.

1. Switch on tool at switch 2 (Fig. 3) and set the appropriate speed for the work at knob 1.

Note:

Never use excessive pressure. Only the correct, uniform number of strokes per minute provide optimum cutting performance.

Wood, aluminium, brass, and sheet metal
= high number of strokes/min
Plastics, thin materials, precision work
= low number of strokes/min

Maintenance

important

Only the reciprocating plunger may be lightly oiled.

1. Regularly lubricate reciprocating plunger with several drops of engine oil, after approx. 30 min. running time (Fig. 4).
2. Following each use, clean attached saw dust from tool using a dry paintbrush.

EC Declaration of Conformity

We assume sole liability for ensuring that this product conforms to the following EC guidelines.

- EC Machine Guideline 98/037/EEC
- DIN EN 50144-1/2002
- DIN EN 50144-2-10/2001

Jörg Wagner MSc

PROXXON S.A.
(Equipment Safety Division)

Ersatzteilliste

Ersatzteile bitte schriftlich beim PROXXON Zentralservice bestellen
(Adresse auf der Rückseite der Anleitung)

ET-Nr.:	Benennung		
28534 - 01	Schraube	28534 - 16	Exzenterwelle
28534 - 02	Sägetisch	28534 - 17	Lüfter
28534 - 03	Presslochmutter	28534 - 18	Motorgehäuse inkl. Schutzleisten
28534 - 04	Gewindestift	28534 - 19	Befestigungsschraube Motor
28534 - 05	Stelling	28534 - 20	Schutzleiste lose
28534 - 06	Kalottenlager	28534 - 21	Motor
28534 - 07	Schubstange	28534 - 22	Regelung
28534 - 08	Gehäusehälfte links	28534 - 23	Gehäuseschraube
28534 - 09	Gehäusehälfte rechts	28534 - 24	Regelknopf
28534 - 10	Stift	28534 - 25	Schalter
28534 - 11	Gehäuseschraube	28534 - 26	Hintere Gehäusekappe
28534 - 12	Gewindestift	28534 - 27	Gerätebügel
28534 - 13	Mutter	28534 - 28	Netzanschluss mit Tülle und Stecker
28534 - 14	Pleuel	28534 - 99	Bedienungsanleitung
28534 - 15	Exzentrerschraube		

Ersatzteilbild

