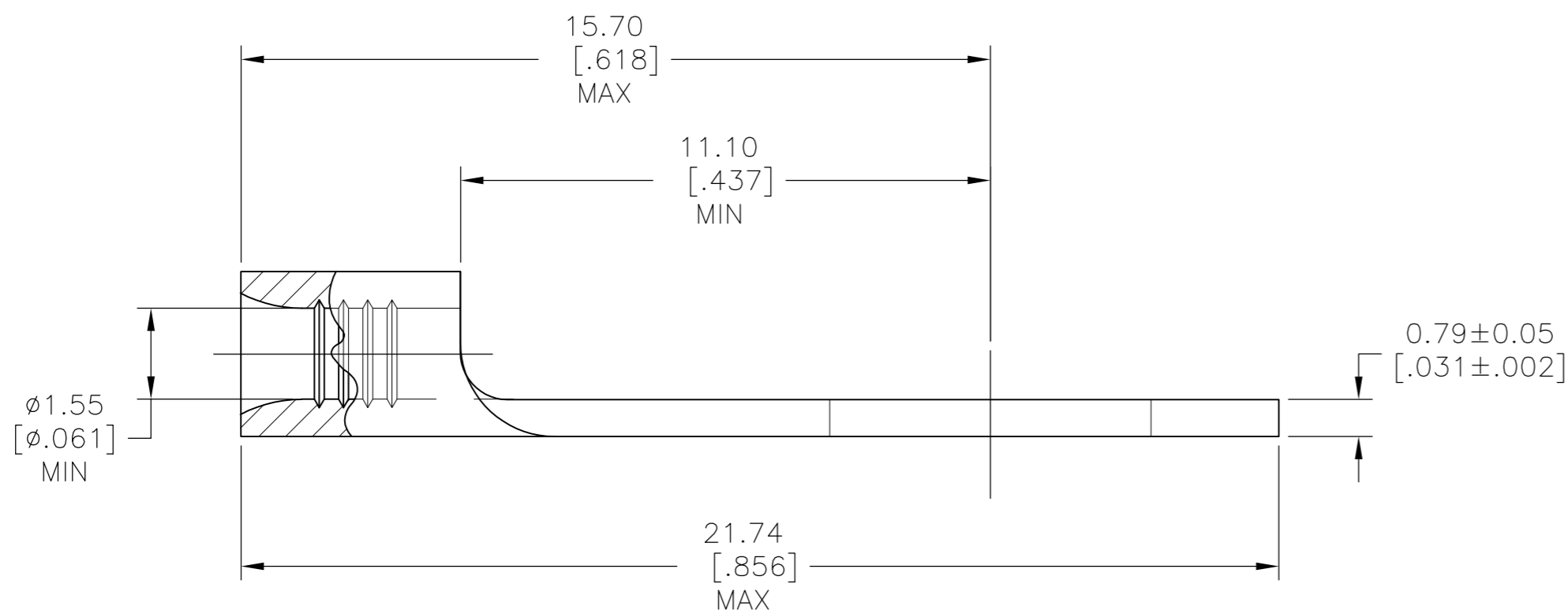
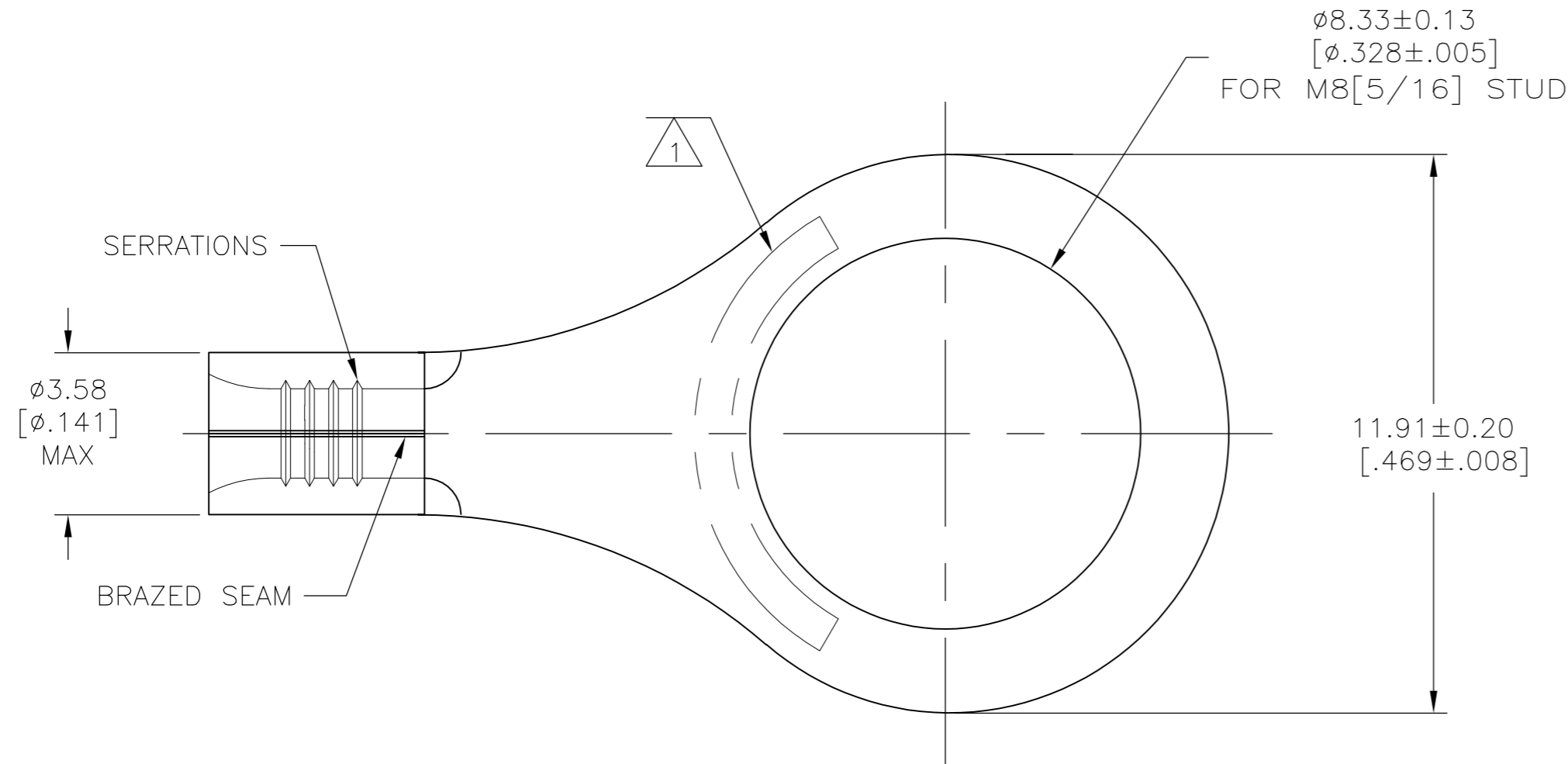


THIS DRAWING IS UNPUBLISHED. RELEASED FOR PUBLICATION
 © COPYRIGHT - By - ALL RIGHTS RESERVED.

LOC		DIST		REVISIONS			
P	LTR	DESCRIPTION		DATE	DWN	APVD	
G	14	D		REVISED PER ECO-10-012870	28APR11	HMR DR	

AMP
WIRE RANGE
22-16 AWG
SOLID OR STRANDED



- 1 STAMP AMP 22-18* APPROX AS SHOWN
22-16 TERMINALS ARE STAMPED 22-18 IN ACCORDANCE WITH MILITARY SPEC SAE AS7928
COMMERCIAL WIRE RANGE IS 22-16
- 2 TIN PLATE 0.00254[.000100] MIN EXT THK PER ASTM-B545
- 3 GOLD PLATE 0.00127[.000050] MIN EXT THK PER ASTM-B488 TYPE 1 CODE C OVER NICKEL PLATE
0.00076[.000050] MIN EXT THK PER SAE AMS QQ-N-290 OVER Cu FLASH PER SAE AMS 2418
- 4 CLEANED, UNPLATED
- 5 NICKEL PLATED 0.00762 [.000300] MIN EXT THK PER SAE AMS QQ-N-290.
- 6 UL LISTED E13288, 22-16 AWG SOLID OR STRANDED.
- 7 CSA CERTIFIED LR7189, 22-16 AWG SOLID OR STRANDED
- 8 MILITARY P/N AND CLASS: M7928/7-5 CLASS 2
- 9 COPPER PER ASTM B152 ANNEALED
- 10 PRELIMINARY - NOT FOR PRODUCTION

7 6	100	170°C MAX	LOOSE PIECE, BOX	2	8-34114-1
8 7 6	5000	170°C MAX	34114 ON TAPE	2	2-34114-2
	1000	343°C MAX	LOOSE PIECE	5	10 34114-4
	1000	170°C MAX	LOOSE PIECE	4	10 34114-3
	1000	260°C MAX	LOOSE PIECE	3	34114-1
8 7 6	1000	170°C MAX	LOOSE PIECE	2	34114
	QTY	MAX TEMP.	PACKAGE TYPE	FINISH	PART NUMBER

AMP INCORPORATED CUSTOMER SERVICE SYSTEMS		MAX RECOMMENDED OPERATING TEMPERATURE: SEE TABLE	THIS DRAWING IS A CONTROLLED DOCUMENT.		DWN TA BRINKMAN 3-10-93 CHK DA PATTERSON 3-10-93 APVD DE MILLER 3-10-93 PRODUCT SPEC APPLICATION SPEC WEIGHT -		NAME TERMINAL, RING TONGUE, SOLISTRAND
FOR ADDITIONAL PRODUCT INFORMATION OR COPIES OF DRAWINGS AND TECHNICAL DOCUMENTS PRODUCT INFORMATION CENTER 1-800-522-6752	FOR APPLICATION TOOLING INFORMATION TOOLING ASSISTANCE CENTER 1-800-722-1111	VOLTAGE RATING: N/A	DIMENSIONS: mm [INCHES]	TOLERANCES UNLESS OTHERWISE SPECIFIED: 0 PLC ± - 1 PLC ± - 2 PLC ± 0.20 [.008] 3 PLC ± - 4 PLC ± - ANGLES ± -	MATERIAL 9 FINISH SEE TABLE	SIZE A2 CAGE CODE 00779 DRAWING NO C-34114	RESTRICTED TO -
FOR ORDER ENTRY 1-800-526-5142	THIS DRAWING IS A CONTROLLED DOCUMENT FOR AMP INCORPORATED. IT IS SUBJECT TO CHANGE AND THE CONTROLLING ENGINEERING ORGANIZATION SHOULD BE CONTACTED FOR THE LATEST REVISION.		CUSTOMER DRAWING		SCALE 8:1 SHEET 1 OF 1 REV D		

Ring Tongue Terminals

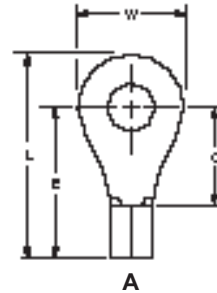
Wire Size Range

AWG 26 to 16,
CMA 202 to 3,260
[0.1 to 1.65 mm²]

Material

Terminal Body — Copper per
ASTM B-152

Plating — Tin per MIL-T-10727



Wire Size Circular Mills [mm ²]	Stud Size	Style	Dimensions				Material Thickness Max.	Wire Barrel I.D. Min.		Part Numbers		
			L Max.	E Max.	C Min.	W		Solistrand	Budget	Solistrand	Budget	
26-22 202-810 [0.1-0.41]	0	A	.329 8.36	.256 6.50	.121 3.07	.140 3.56	.020 0.51	—	.035 0.89	—	31423	
		A	.329 8.36	.256 6.50	.121 3.07	.140 3.56	.020 0.51	—	.035 0.89	—	31425 2-31425-2	
	2 M2	A	.450 11.43	.346 8.79	.211 5.36	.203 5.16	.020 0.51	—	.035 0.89	—	33695	
		A	.419 10.64	.346 8.79	.211 5.36	.140 3.56	.020 0.51	.031 0.79	.035 0.89	50334*	322771	
	4	A	.450 11.43	.346 8.79	.211 5.36	.203 5.16	.020 0.51	—	.035 0.89	—	31428	
		A	.450 11.43	.346 8.79	.211 5.36	.203 5.16	.020 0.51	—	.035 0.89	—	31430	
	6 M3.5	A	.544 13.82	.416 10.57	.281 7.14	.250 6.35	.020 0.51	.031 0.79	.035 0.89	331401 1-331401-1	32858	
		A	.544 13.82	.416 10.57	.281 7.14	.250 6.35	.020 0.51	—	.035 0.89	—	32859	
	8	A	.544 13.82	.416 10.57	.281 7.14	.250 6.35	.020 0.51	—	.035 0.89	—	32860	
	22-16 509-3,260 [0.26-1.65]	1	A	.449 11.40	.337 8.56	.156 3.96	.218 5.54	.033 0.84	—	.065 1.65	—	31087
			A	.449 11.40	.337 8.56	.156 3.96	.218 5.54	.033 0.84	.061 1.55	.065 1.65	34103 2-34103-1	31088
		2 M2	A	.446 11.33	.353 8.97	.172 4.37	.182 4.62	.033 0.84	.061 1.55	.065 1.65	322927	320677
A			.449 11.40	.337 8.56	.156 3.96	.218 5.54	.033 0.84	.061 1.55	.065 1.65	34104* 2-34104-6	31089 3-31089-6	
4		A	.446 11.33	.353 8.97	.172 4.37	.182 4.62	.033 0.84	.061 1.55	.065 1.65	36467*	36189 2-326850-1	
		A	.621 15.77	.493 12.52	.312 7.92	.250 6.35	.033 0.84	.061 1.55	.065 1.65	323096 2-323096-2	322418	
5 M3		A	.449 11.40	.337 8.56	.156 3.96	.218 5.54	.033 0.84	—	.065 1.65	—	31090 2-31090-1	
		A	.449 11.40	.337 8.56	.156 3.96	.218 5.54	.033 0.84	.061 1.55	.065 1.65	34105* 2-34105-2	31091	
6 M3.5		A	.528 13.41	.416 10.57	.156 3.96	.218 5.54	.033 0.84	.061 1.55	.065 1.65	34194	31101	
		A	.574 14.58	.436 11.07	.250 6.35	.281 7.14	.033 0.84	.061 1.55	.065 1.65	34107* 2-34107-2	31264	
8 M4		A	.621 15.77	.462 11.73	.281 7.14	.312 7.92	.033 0.84	.061 1.55	.065 1.65	34110* 2-34110-3	30691* 1-30691-1	
		A	.653 16.59	.478 12.14	.297 7.54	.344 8.74	.033 0.84	—	.065 1.65	—	32822	
8 M4	A	.621 15.77	.462 11.73	.281 7.14	.312 7.92	.033 0.84	.061 1.55	.065 1.65	34111* 2-34111-3	30692		
	A	.574 14.58	.436 11.07	.250 6.35	.281 7.14	.033 0.84	.061 1.55	.065 1.65	34108* 2-34108-2	31265*		
8 M4	A	.653 16.59	.478 12.14	.297 7.54	.344 8.74	.033 0.84	.061 1.55	.065 1.65	323086	32823		

Note: Part numbers are shown as loose piece over tape mounted product.

*Part numbers are available in small quantity packages.