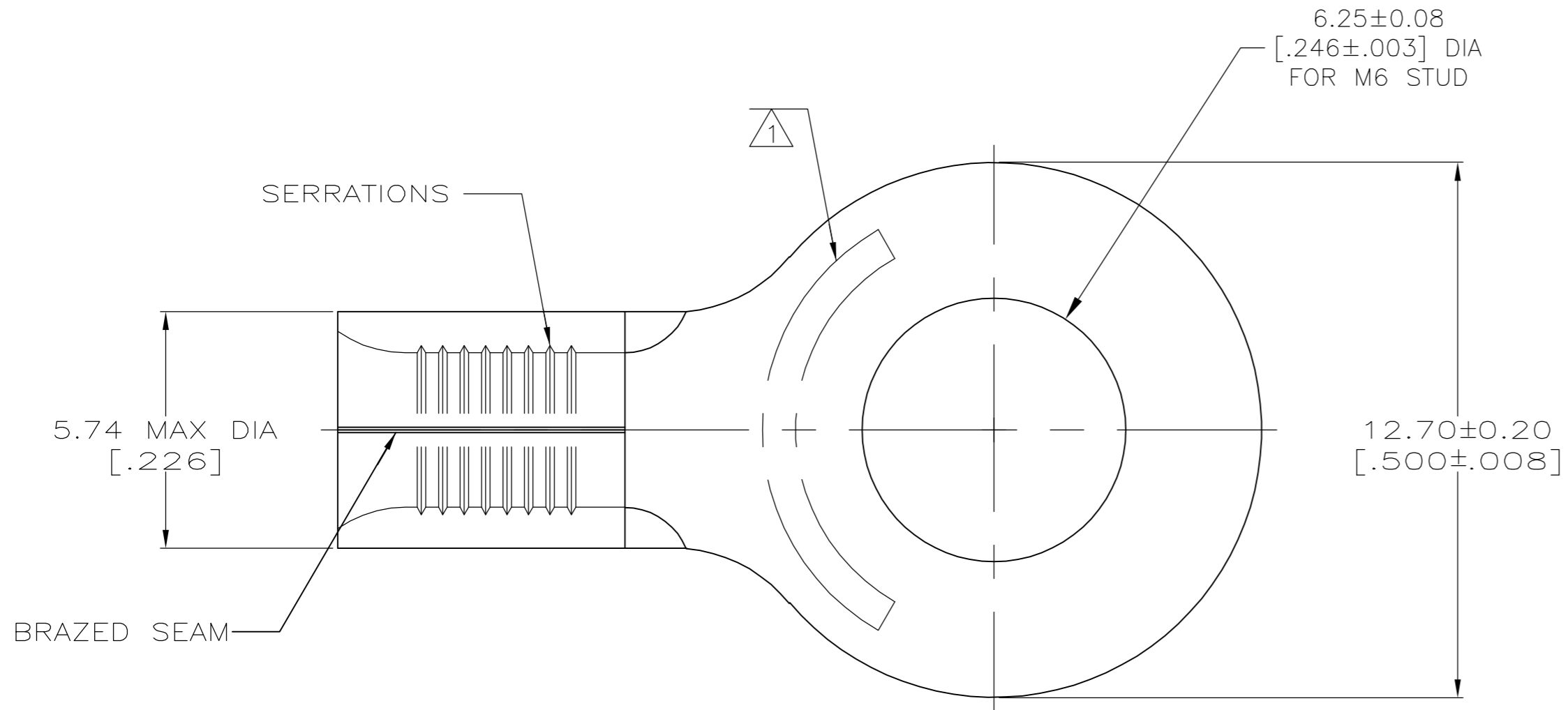


THIS DRAWING IS UNPUBLISHED. RELEASED FOR PUBLICATION
 © COPYRIGHT BY TYCO ELECTRONICS CORPORATION. ALL RIGHTS RESERVED.

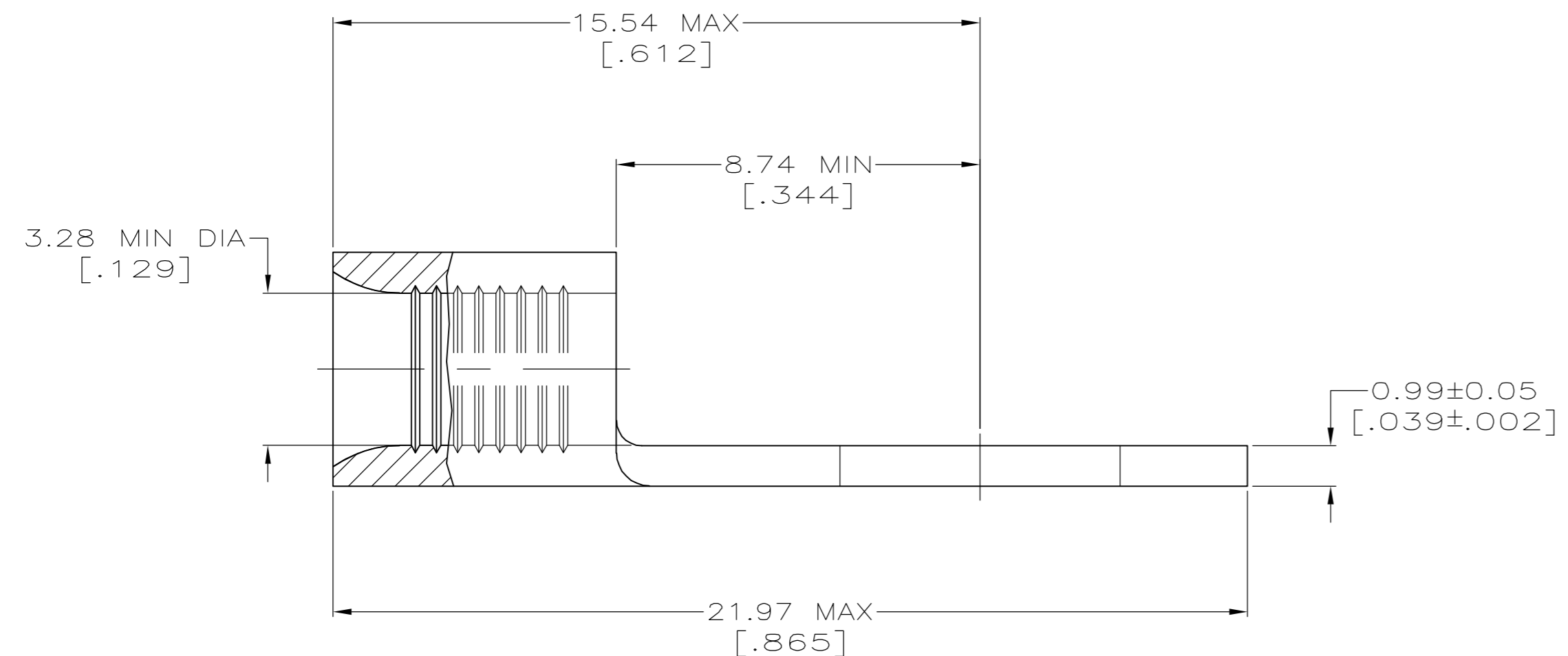
LOC	DIST	REVISIONS					
G	14	P	LTR	DESCRIPTION	DATE	DWN	APVD
		A		DRAWN	13MAR06	JR	TM



AMP
WIRE RANGE

12-10 AWG
SOLID OR STRANDED

- 1 STAMP AMP 12-10* APPROX AS SHOWN
- 2 MATERIAL: COPPER PER ASTM B-152, ANNEALED
- 3 TIN PLATE 0.00254 [.000100] MIN THK PER ASTM B-545.



AMP INCORPORATED CUSTOMER SERVICE SYSTEMS		MAX RECOMMENDED OPERATING TEMPERATURE: 170°C
FOR ADDITIONAL PRODUCT INFORMATION OR COPIES OF DRAWINGS AND TECHNICAL DOCUMENTS	PRODUCT INFORMATION CENTER 1-800-522-6752	VOLTAGE RATING: N/A
FOR APPLICATION TOOLING INFORMATION	TOOLING ASSISTANCE CENTER 1-800-722-1111	CIRCULAR MIL AREA: 2.62-6.64mm² [5,180-13,100] SOLID OR STRANDED
FOR ORDER ENTRY	1-800-526-5142	THIS DRAWING IS A CONTROLLED DOCUMENT FOR AMP INCORPORATED. IT IS SUBJECT TO CHANGE AND THE CONTROLLING ENGINEERING ORGANIZATION SHOULD BE CONTACTED FOR THE LATEST REVISION.

FINISH	500	LOOSE PIECE	165026												
FINISH	QTY	PACKAGE TYPE	PART NO.												
THIS DRAWING IS A CONTROLLED DOCUMENT.		<table border="1"> <tr> <td>DWN</td> <td>JR RUTH</td> <td>13MAR06</td> </tr> <tr> <td>CHK</td> <td>T MICHIELUTTI</td> <td>13MAR06</td> </tr> <tr> <td>APVD</td> <td>T MICHIELUTTI</td> <td>13MAR06</td> </tr> </table>		DWN	JR RUTH	13MAR06	CHK	T MICHIELUTTI	13MAR06	APVD	T MICHIELUTTI	13MAR06			
DWN	JR RUTH	13MAR06													
CHK	T MICHIELUTTI	13MAR06													
APVD	T MICHIELUTTI	13MAR06													
DIMENSIONS: INCHES	TOLERANCES UNLESS OTHERWISE SPECIFIED:	<table border="1"> <tr> <td>0 PLC</td> <td>± -</td> </tr> <tr> <td>1 PLC</td> <td>± -</td> </tr> <tr> <td>2 PLC</td> <td>± -</td> </tr> <tr> <td>3 PLC</td> <td>± -</td> </tr> <tr> <td>4 PLC</td> <td>± -</td> </tr> <tr> <td>ANGLES</td> <td>± -</td> </tr> </table>		0 PLC	± -	1 PLC	± -	2 PLC	± -	3 PLC	± -	4 PLC	± -	ANGLES	± -
0 PLC	± -														
1 PLC	± -														
2 PLC	± -														
3 PLC	± -														
4 PLC	± -														
ANGLES	± -														
MATERIAL	FINISH	<table border="1"> <tr> <td>SIZE</td> <td>CAGE CODE</td> <td>DRAWING NO</td> <td>RESTRICTED TO</td> </tr> <tr> <td>A2</td> <td>00779</td> <td>C=165026</td> <td>-</td> </tr> </table>		SIZE	CAGE CODE	DRAWING NO	RESTRICTED TO	A2	00779	C=165026	-				
SIZE	CAGE CODE	DRAWING NO	RESTRICTED TO												
A2	00779	C=165026	-												
SEE TABLE		<table border="1"> <tr> <td>SCALE</td> <td>SHEET</td> <td>OF</td> <td>REV</td> </tr> <tr> <td>8:1</td> <td>1</td> <td>1</td> <td>A</td> </tr> </table>		SCALE	SHEET	OF	REV	8:1	1	1	A				
SCALE	SHEET	OF	REV												
8:1	1	1	A												
CUSTOMER DRAWING															

165026

Ring Tongue Terminals

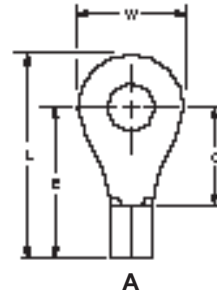
Wire Size Range

AWG 26 to 16,
CMA 202 to 3,260
[0.1 to 1.65 mm²]

Material

Terminal Body — Copper per
ASTM B-152

Plating — Tin per MIL-T-10727



Wire Size Circular Mills [mm ²]	Stud Size	Style	Dimensions				Material Thickness Max.	Wire Barrel I.D. Min.		Part Numbers		
			L Max.	E Max.	C Min.	W		Solistrand	Budget	Solistrand	Budget	
26-22 202-810 [0.1-0.41]	0	A	.329 8.36	.256 6.50	.121 3.07	.140 3.56	.020 0.51	—	.035 0.89	—	31423	
		A	.329 8.36	.256 6.50	.121 3.07	.140 3.56	.020 0.51	—	.035 0.89	—	31425 2-31425-2	
	2 M2	A	.450 11.43	.346 8.79	.211 5.36	.203 5.16	.020 0.51	—	.035 0.89	—	33695	
		A	.419 10.64	.346 8.79	.211 5.36	.140 3.56	.020 0.51	.031 0.79	.035 0.89	50334*	322771	
	4	A	.450 11.43	.346 8.79	.211 5.36	.203 5.16	.020 0.51	—	.035 0.89	—	31428	
		A	.450 11.43	.346 8.79	.211 5.36	.203 5.16	.020 0.51	—	.035 0.89	—	31430	
	6 M3.5	A	.544 13.82	.416 10.57	.281 7.14	.250 6.35	.020 0.51	.031 0.79	.035 0.89	331401 1-331401-1	32858	
		A	.544 13.82	.416 10.57	.281 7.14	.250 6.35	.020 0.51	—	.035 0.89	—	32859	
	8	A	.544 13.82	.416 10.57	.281 7.14	.250 6.35	.020 0.51	—	.035 0.89	—	32860	
	22-16 509-3,260 [0.26-1.65]	1	A	.449 11.40	.337 8.56	.156 3.96	.218 5.54	.033 0.84	—	.065 1.65	—	31087
			A	.449 11.40	.337 8.56	.156 3.96	.218 5.54	.033 0.84	.061 1.55	.065 1.65	34103 2-34103-1	31088
		2 M2	A	.446 11.33	.353 8.97	.172 4.37	.182 4.62	.033 0.84	.061 1.55	.065 1.65	322927	320677
A			.449 11.40	.337 8.56	.156 3.96	.218 5.54	.033 0.84	.061 1.55	.065 1.65	34104* 2-34104-6	31089 3-31089-6	
4		A	.446 11.33	.353 8.97	.172 4.37	.182 4.62	.033 0.84	.061 1.55	.065 1.65	36467*	36189 2-326850-1	
		A	.621 15.77	.493 12.52	.312 7.92	.250 6.35	.033 0.84	.061 1.55	.065 1.65	323096 2-323096-2	322418	
5 M3		A	.449 11.40	.337 8.56	.156 3.96	.218 5.54	.033 0.84	—	.065 1.65	—	31090 2-31090-1	
		A	.449 11.40	.337 8.56	.156 3.96	.218 5.54	.033 0.84	.061 1.55	.065 1.65	34105* 2-34105-2	31091	
6 M3.5		A	.528 13.41	.416 10.57	.156 3.96	.218 5.54	.033 0.84	.061 1.55	.065 1.65	34194	31101	
		A	.574 14.58	.436 11.07	.250 6.35	.281 7.14	.033 0.84	.061 1.55	.065 1.65	34107* 2-34107-2	31264	
8 M4		A	.621 15.77	.462 11.73	.281 7.14	.312 7.92	.033 0.84	.061 1.55	.065 1.65	34110* 2-34110-3	30691* 1-30691-1	
		A	.653 16.59	.478 12.14	.297 7.54	.344 8.74	.033 0.84	—	.065 1.65	—	32822	
8 M4	A	.621 15.77	.462 11.73	.281 7.14	.312 7.92	.033 0.84	.061 1.55	.065 1.65	34111* 2-34111-3	30692		
	A	.574 14.58	.436 11.07	.250 6.35	.281 7.14	.033 0.84	.061 1.55	.065 1.65	34108* 2-34108-2	31265*		
		A	.653 16.59	.478 12.14	.297 7.54	.344 8.74	.033 0.84	.061 1.55	.065 1.65	323086	32823	

Note: Part numbers are shown as loose piece over tape mounted product.

*Part numbers are available in small quantity packages.