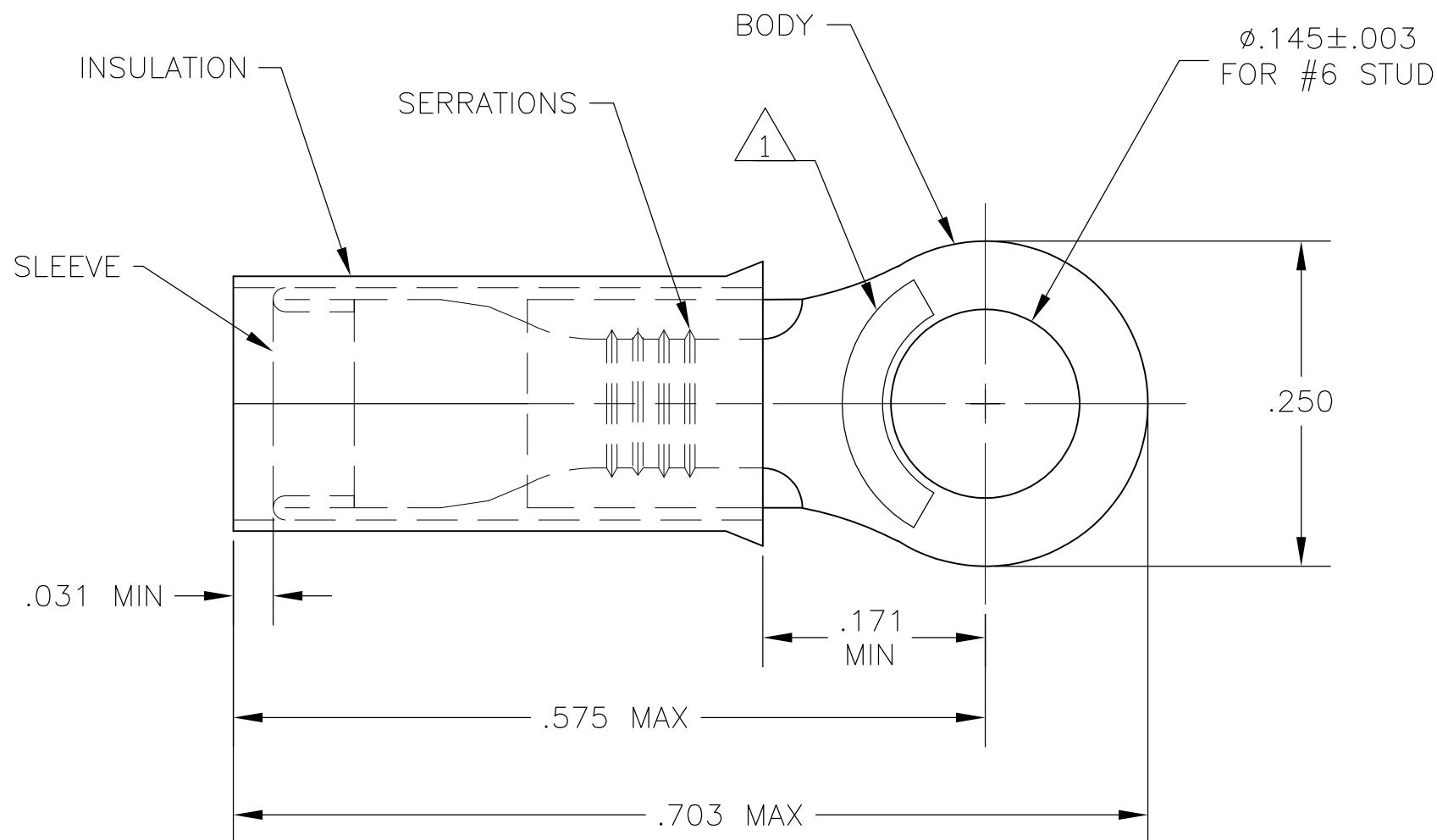


THIS DRAWING IS UNPUBLISHED. RELEASED FOR PUBLICATION
 © COPYRIGHT - By - ALL RIGHTS RESERVED.

LOC	DIST	REVISIONS			
P	LTR	DESCRIPTION	DATE	DWN	APVD
G	14	H1	REVISED PER ECO-11-004820	11MAR11	RK HMR

AMP WIRE RANGE	Listed	LR7189 Certified
16-14 AWG SOLID OR STRANDED	16-14 AWG SOLID OR STRANDED	16-14 AWG SOLID OR STRANDED



- 1 STAMP AMP 16-14*, APPROX AS SHOWN. STAMP MAY BE ON TOP OR BOTTOM.
- 2 TONGUE THICKNESS IS $.031 \pm .002$
- 3 FOR $.115-.170$ WIRE INSULATION DIA
- 4 MAX RECOMMENDED OPERATING TEMP IS 105°C .
- 5 300 VOLT MAX RATING.
- 6 WIRE CROSS SECTIONAL AREA RANGE $1.04-2.62\text{mm}$ [2,050-5,180 CIR MILS]

QTY	PACKAGING	MATERIAL / FINISH	PART NO
25	LOOSE PIECE, BLS	BODY & SLEEVE: COPPER PER ASTM B152 TIN PL. PER ASTM B-545	9-320619-4
5	LOOSE PIECE, BLS		8-320619-4
100	LOOSE PIECE, BOX	INSULATION: NYLON COLOR: BLUE	8-320619-1
5000	ON TAPE, REEL		2-320619-1
-	LOOSE PIECE		320619

THIS DRAWING IS A CONTROLLED DOCUMENT.		DWN jr_ruth 19AUG03	TE Connectivity		
DIMENSIONS: INCHES		CHK T MICHELUTTI 19AUG03			
TOLERANCES UNLESS OTHERWISE SPECIFIED:		APVD T MICHELUTTI 19AUG03	PRODUCT SPEC UL486A		
0 PLC ± -		APPLICATION SPEC 114-2157			
1 PLC ± -		WEIGHT -			
2 PLC ± -		SIZE A3			
3 PLC ± .008		CAGE CODE 00779			
4 PLC ± -		DRAWING NO C-320619			
ANGLES ± 1°		RESTRICTED TO -			
MATERIAL -		SCALE 8:1			
FINISH -		SHEET 1 OF 1			
		REV H1			