
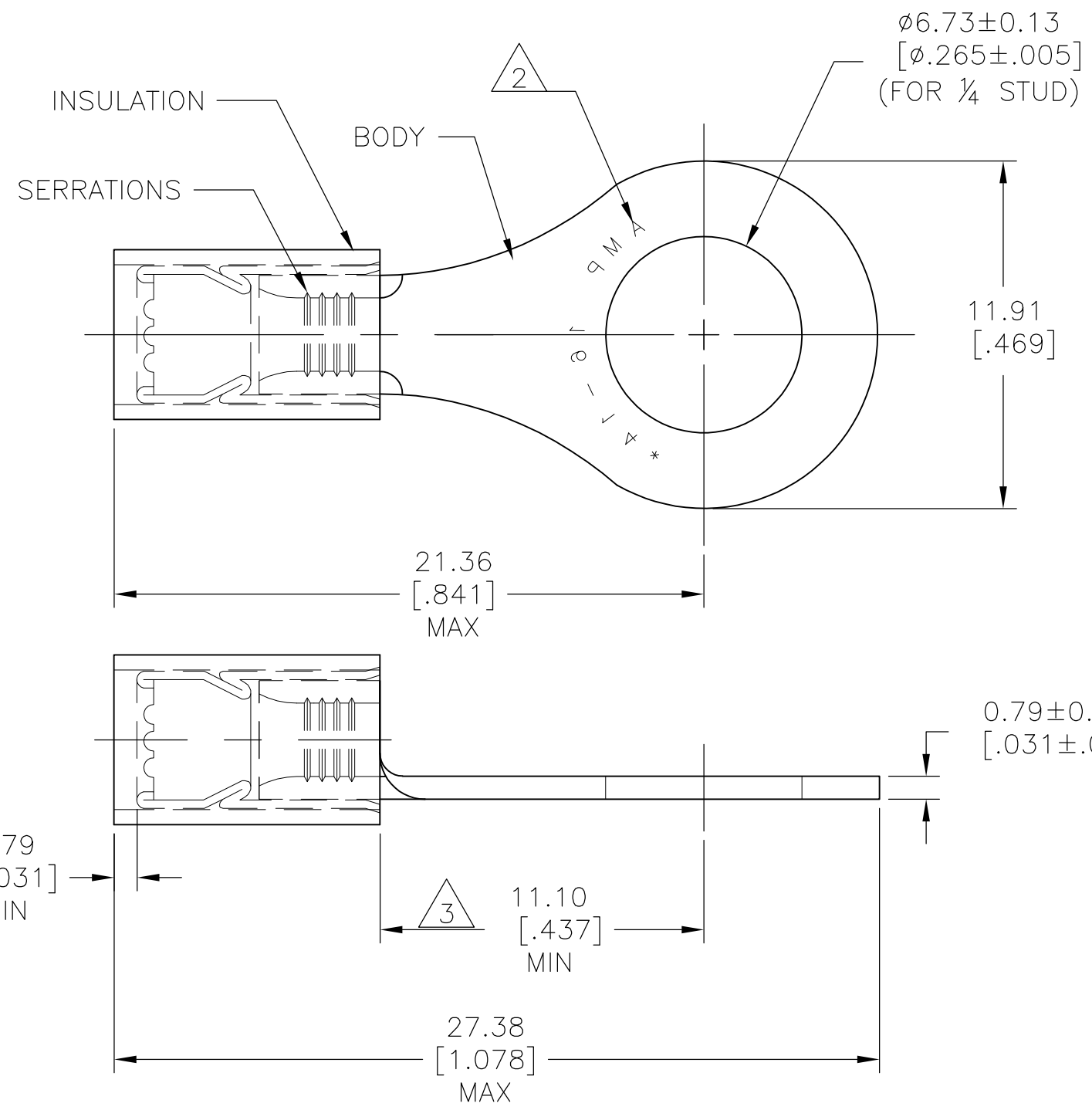


THIS DRAWING IS UNPUBLISHED. RELEASED FOR PUBLICATION  
 © COPYRIGHT - By - ALL RIGHTS RESERVED.

LOC	DIST	REVISIONS					
		P	LTR	DESCRIPTION	DATE	DWN	APVD
-	-		H3	NEW DRAWING PER ECO-11-019045	03APR12	KH	DR

<b>AMP</b> WIRE RANGE	 Listed FILE E13288
16-14 AWG SOLID OR STRANDED	16-14 AWG SOLID OR STRANDED



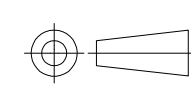
- 1 FOR 2.92[.115] TO 4.32[.170] WIRE INSULATION DIA
- 2 STAMP AMP 16-14\* APPROX AS SHOWN,
- 3 DIMENSION APPLIES FROM EDGE OF METAL WIRE BARREL TO CENTER OF STUD HOLE.
- 4 MATERIAL: BODY & SLEEVE: COPPER PER ASTM B152. INSULATION : NYLON
- 5 FINISH: BODY & SLEEVE: TIN PLATE PER ASTM B545. INSULATION: COLOR-BLUE.


100	LOOSE PC, BOX	8-321045-1
4000	TAPE REEL	2-321045-1
1000	LOOSE PC,	321045
QTY	PACKAGE TYPE	PART NO

### AMP INCORPORATED CUSTOMER SERVICE SYSTEMS

FOR ADDITIONAL PRODUCT INFORMATION OR COPIES OF DRAWINGS AND TECHNICAL DOCUMENTS	PRODUCT INFORMATION CENTER 1-800-522-6752	RECOMMENDED OPERATING TEMPERATURE: 105°C [221°F]
FOR APPLICATION TOOLING INFORMATION	TOOLING ASSISTANCE CENTER 1-800-722-1111	VOLTAGE RATING: 300V MAX
FOR ORDER ENTRY	1-800-526-5142	WIRE CROSS SECTIONAL AREA RANGE: 1.04-2.62mm <sup>2</sup> [2,050-5,180] CIR.MIL SOLID OR STRANDED

THIS DRAWING IS A CONTROLLED DOCUMENT.

DIMENSIONS: mm [INCHES]	TOLERANCES UNLESS OTHERWISE SPECIFIED:
	0 PLC ± -
	1 PLC ± -
	2 PLC ± -
	3 PLC ± -
	4 PLC ± -
	ANGLES ± -
MATERIAL	FINISH
4	5

DWN KIRAN HOLAL 03APR12	 TE Connectivity
CHK ROHDE DANIEL 03APR12	
APVD ROHDE DANIEL 03APR12	
NAME WIRE TERMINAL, RING TOUNGE P.I.D.G, 16-14 AWG	
PRODUCT SPEC	SIZE A3
APPLICATION SPEC	CAGE CODE 00779
WEIGHT	DRAWING NO C-321045
CUSTOMER DRAWING	RESTRICTED TO -
SCALE 5:1	SHEET 1 OF 1
REV H3	