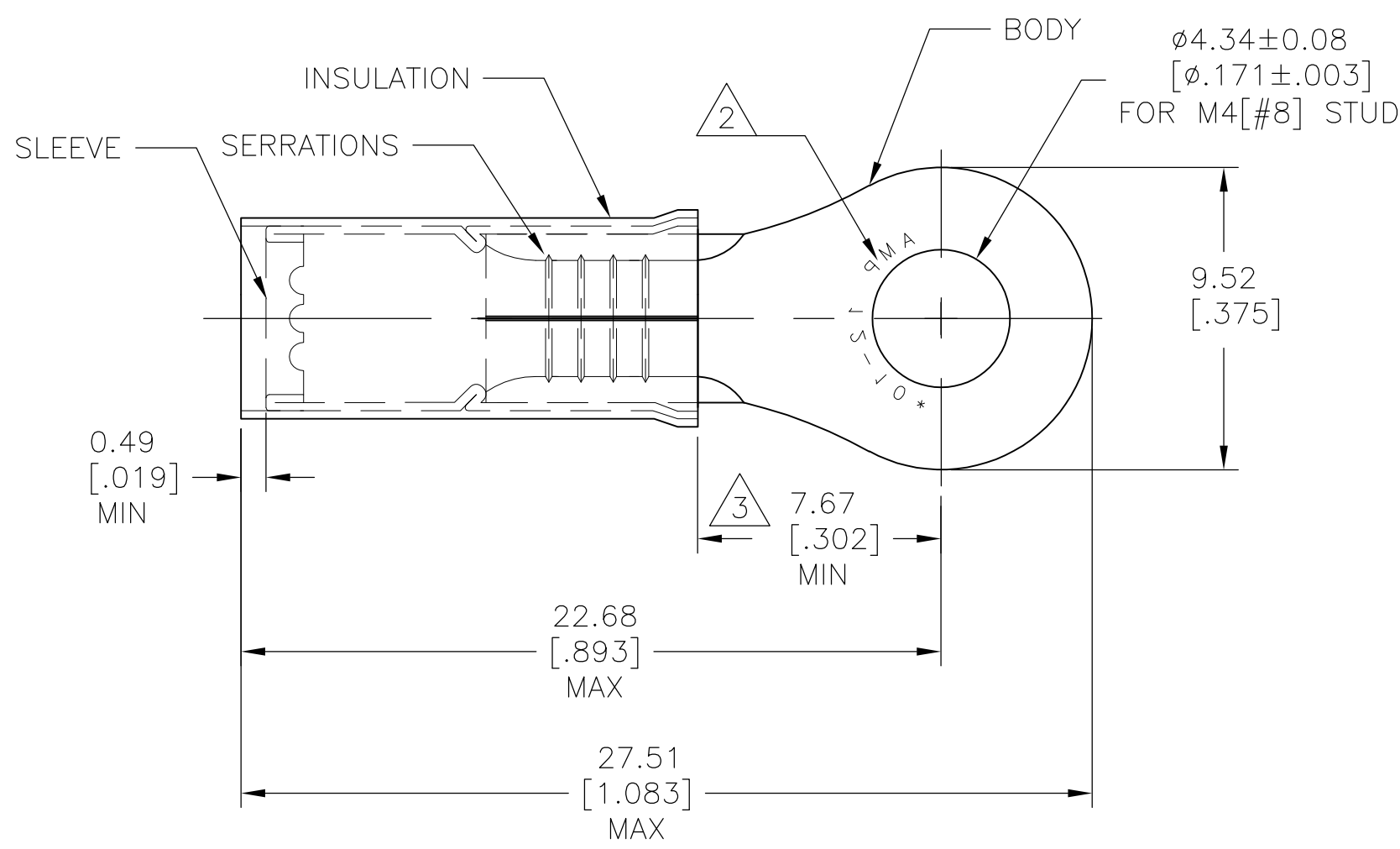


THIS DRAWING IS UNPUBLISHED. RELEASED FOR PUBLICATION
 © COPYRIGHT - By - ALL RIGHTS RESERVED.

| LOC | DIST | REVISIONS | | | |
|-----|------|-------------|-------------------------------|---------|-------|
| P | LTR | DESCRIPTION | DATE | DWN | APVD |
| - | - | J2 | NEW DRAWING PER ECO-11-019045 | 02APR12 | KH DR |

| | | |
|--------------------------------|--------------------------------|--------------------------------|
| AMP WIRE RANGE | Listed FILE E13288 | LR7189 Certified |
| 12-10 AWG SOLID OR STRANDED | 12-10 AWG SOLID OR STRANDED | 12-10 AWG SOLID OR STRANDED |



- 1 ALTERNATE PVC INSULATION MATERIAL FOR FOREIGN SUBSIDIARIES ONLY.
- 2 STAMP AMP 12-10* APPROX AS SHOWN
- 3 DIMENSION APPLIES FROM EDGE OF METAL WIRE BARREL TO CENTER OF STUD HOLE
- 4 FOR WIRE INSULATION DIA: 3.81[.150] TO 6.35[.250]
- 5 TONGUE MATERIAL THK: 1.02±0.05[.040±.002]
- 6 MATERIAL:
BODY&SLEEVE: COPPER PER ASTM B152
INSULATION: NYLON.1
- 7 FINISH:
BODY&SLEEVE: TIN PLATE PER ASTM B545
INSULATION: COLOR-YELLOW

| | | | |
|-------------------------|------|---------------|-----------|
| - | 100 | LOOSE PC, BOX | 8-35108-1 |
| - | 500 | LOOSE PIECE | 3-35108-1 |
| MS25036-156 CLASS 2 | 2500 | ON TAPE, REEL | 2-35108-1 |
| MS25036-156 CLASS 1&2 | 500 | LOOSE PIECE | 35108 |
| MILITARY PART NO& CLASS | QTY | PACKAGE TYPE | PART NO |

AMP INCORPORATED CUSTOMER SERVICE SYSTEMS

| | | |
|--|--|--|
| FOR ADDITIONAL PRODUCT INFORMATION OR COPIES OF DRAWINGS AND TECHNICAL DOCUMENTS | PRODUCT INFORMATION CENTER 1-800-522-6752 | RECOMMENDED OPERATING TEMPERATURE: 105°C [221°F] |
| FOR APPLICATION TOOLING INFORMATION | TOOLING ASSISTANCE CENTER 1-800-722-1111 | VOLTAGE RATING: 300V MAX |
| FOR ORDER ENTRY | 1-800-526-5142 | WIRE CROSS SECTIONAL AREA RANGE: 2.62-6.64mm ² [5,180-13,100] SOLID OR STRANDED |

THIS DRAWING IS A CONTROLLED DOCUMENT.

| | |
|----------------------------|--|
| DIMENSIONS: mm [INCHES] | TOLERANCES UNLESS OTHERWISE SPECIFIED: |
| | 0 PLC ± - |
| | 1 PLC ± - |
| | 2 PLC ± 0.20[.008] |
| | 3 PLC ± - |
| | 4 PLC ± - |
| | ANGLES ± 5° |
| MATERIAL | FINISH |
| 6 | 7 |

| | |
|---------------------------------|--|
| DWN KIRAN HOLAL 02APR12 | TE Connectivity |
| CHK ROHDE DANIEL 02APR12 | |
| APVD ROHDE DANIEL 02APR12 | |
| NAME | |
| PRODUCT SPEC | WIRE TERMINAL P.I.D.G RING TONGUE WIRE SIZE: 12-10 |
| APPLICATION SPEC | SIZE CAGE CODE DRAWING NO RESTRICTED TO |
| WEIGHT | A3 00779 C-35108 |
| CUSTOMER DRAWING | SCALE 5:1 SHEET 1 OF 1 REV J2 |