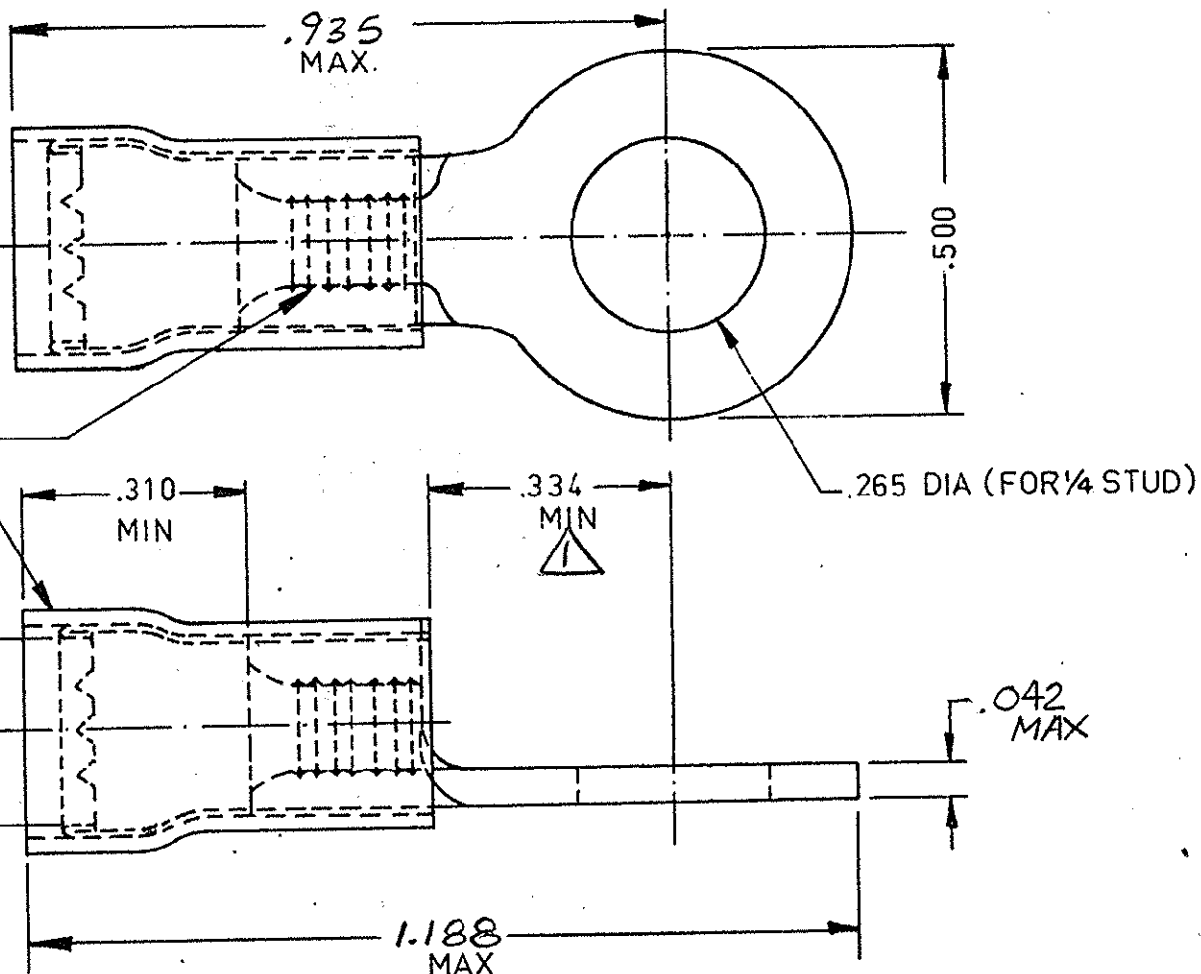


NUMBER
C-165034-EE

DIMENSIONS IN INCHES — DO NOT SCALE PRINT

A.M.P. N° 165034 AS SHOWN
2-165034-1 TAPE MOUNTED VERSION



△ FROM EDGE OF METAL WIRE BBL TO CENTER OF STUD HOLE.

CUSTOMER PRINT FOR REFERENCE ONLY

©1962 BY AMP Holland N.V. ALL RIGHTS RESERVED. AMP PRODUCTS COVERED BY PATENTS AND/OR PATENTS PENDING.

-9	-8	-7	-6	-5	-4	-3	-2	-1	DWG SIZE	NUMBER	NAME	REMARKS	ITEM NO.
										COPPER	ANNEALED	T IN PLATED	
										DR. M. Blank	DATE 21-11-62	APP.	DATE REL.
										CHK. J. Slovák	DATE 21-11-61	APP. W. M. 21-11-61	DATE FIRST USED TOL. ±.008
										AMP HOLLAND N.V.	TYPE P.I.D.G.	PRINT DIST	LOC HA
										1-HERTOGENBOSCH HOLLAND	SCALE N.T.S.	WIRE SIZE 12-10	SIZE NUMBER C-165034-EE
										CMA	MAX	MIN	NAME RING-TONGUE
													REV B
DESCRIPTION													