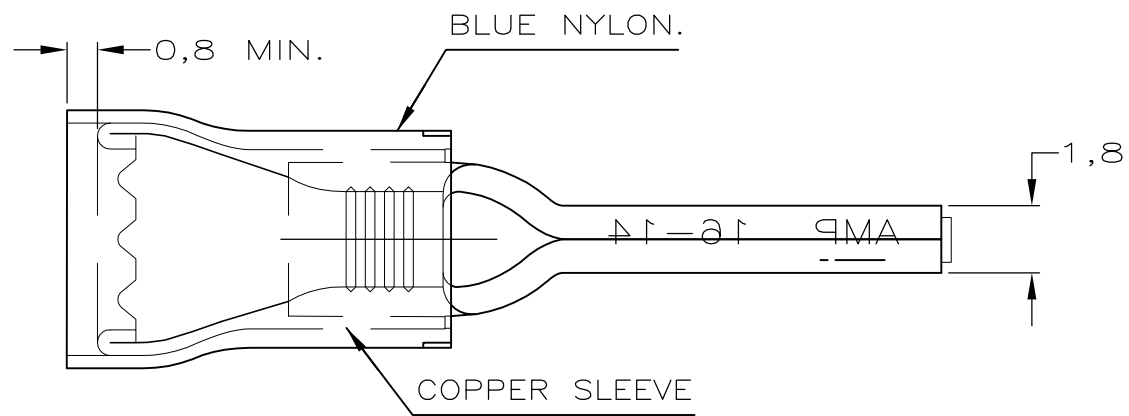
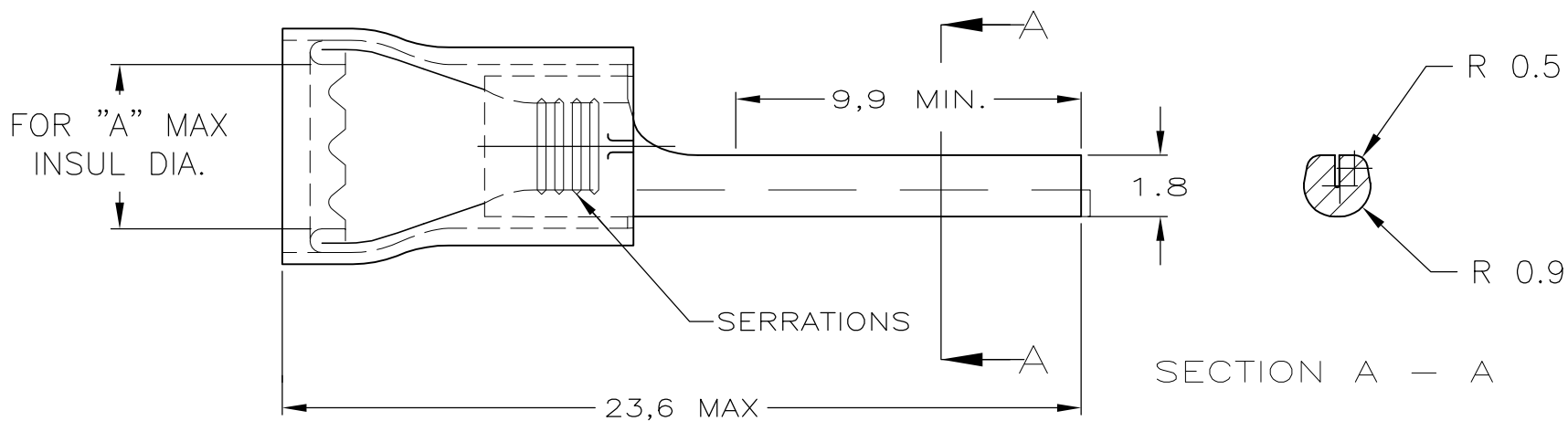


THIS DRAWING IS UNPUBLISHED. RELEASED FOR PUBLICATION
 © COPYRIGHT - By - ALL RIGHTS RESERVED.

LOC	DIST	REVISIONS					
G	86	P	LTR	DESCRIPTION	DATE	DWN	APVD
			K1	REVISED PER ECO-11-004917	11MAR11	RK	HMR



WIRE RANGE:
 1.0-2.6mm²
 (16-14 AWG)
 INSULATION RANGE:
 "A" MAX



SUPERSEDED BY
 165172-2

100	4.3	TIN PLATED	COPPER	8-165172-1
1000	4.8	TIN PLATED	COPPER	165172-2
1000	4.6	TIN PLATED	COPPER	165172-1
1000	4.3	TIN PLATED	COPPER	165172-0
PACKAGE QTY	DIM "A"	FINISH	MATERIAL	PART NO

THIS DRAWING IS A CONTROLLED DOCUMENT.		DWN JR RUTH 19FEB04	STE TE Connectivity		
DIMENSIONS: mm		CHK T MICHELUTTI 19FEB04			
TOLERANCES UNLESS OTHERWISE SPECIFIED:		APVD T MICHELUTTI 19FEB04	NAME PIDG WIRE PIN (LONG)		
0 PLC ± -		PRODUCT SPEC	-		
1 PLC ± -		APPLICATION SPEC	-		
2 PLC ± -		WEIGHT	-		
3 PLC ± -		CUSTOMER DRAWING	SIZE A3	CAGE CODE 00779	DRAWING NO C-165172
4 PLC ± -		SCALE	5:1		SHEET
ANGLES ± -		1 OF 1		REV	K1
FINISH		RESTRICTED TO			
-		-			