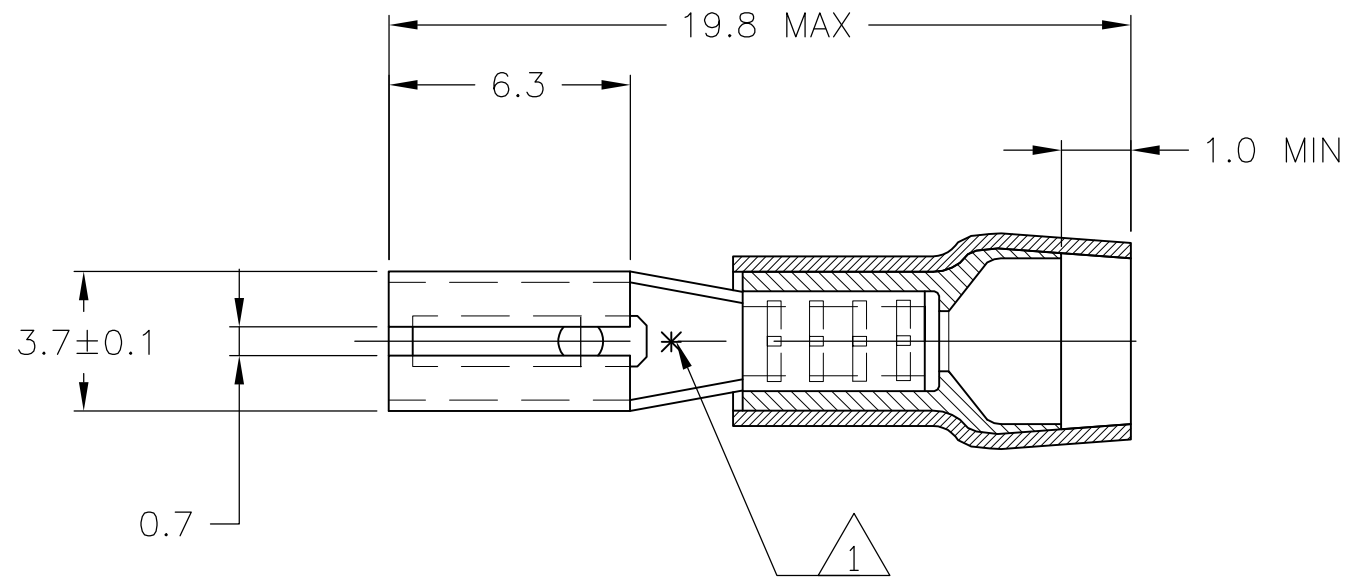


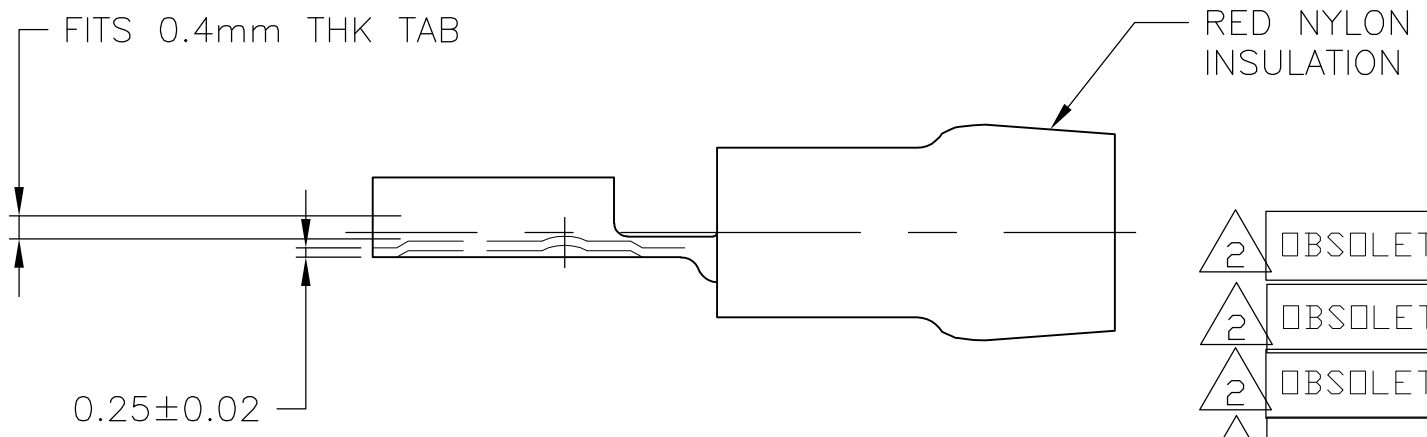
THIS DRAWING IS UNPUBLISHED. RELEASED FOR PUBLICATION
 © COPYRIGHT - BY TYCO ELECTRONICS CORPORATION. ALL RIGHTS RESERVED.

LOC	DIST	REVISIONS					
G	02	P	LTR	DESCRIPTION	DATE	DWN	APVD
		J1		REV PER ECR 07-017037	20JUL07	JR	TM

AMP WIRE RANGE	AMP INSULATION RANGE
22-16 AWG 0.3-1.5 mm ²	.140 MAX DIA 3.5 MAX DIA



- △1 ASTERISK * FOR PHOS BRONZE VERSION ONLY
- △2 OBSOLETE W/O REPLACEMENT



△2	OBSOLETE		GOLD	PHOS BRONZE	165564-6
△2	OBSOLETE		GOLD	BRASS	165564-5
△2	OBSOLETE		SILVER	PHOS BRONZE	165564-4
△2	OBSOLETE		SILVER	BRASS	165564-3
△2	OBSOLETE	2-165564-2	TIN	PHOS BRONZE	165564-2
△2	OBSOLETE	2-165564-1	TIN	BRASS	165564-1
		PN ON TAPE	FINISH	MATERIAL	PART NUMBER

THIS DRAWING IS A CONTROLLED DOCUMENT.		DWN jr_ruth 15APR05	Tyco Electronics Corporation Harrisburg, Pa 17105-3608		
DIMENSIONS: mm		CHK T MICHIELUTTI 15APR05	NAME RECEPTACLE, FASTON, PIDG, .110 SERIES		
TOLERANCES UNLESS OTHERWISE SPECIFIED:		APVD T MICHIELUTTI 15APR05	PRODUCT SPEC -		
0 PLC ± -		APPLICATION SPEC -			
1 PLC ± 0.2		SIZE A3			
2 PLC ± -		CAGE CODE 00779			
3 PLC ± -		DRAWING NO C-165564			
4 PLC ± -		RESTRICTED TO -			
ANGLES ± 5'		WEIGHT -			
MATERIAL -		CUSTOMER DRAWING			
FINISH -		SCALE 5:1 SHEET 1 OF 1 REV J1			