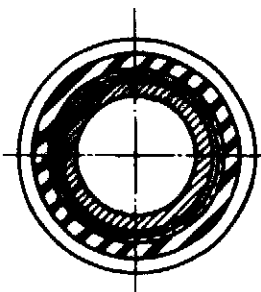
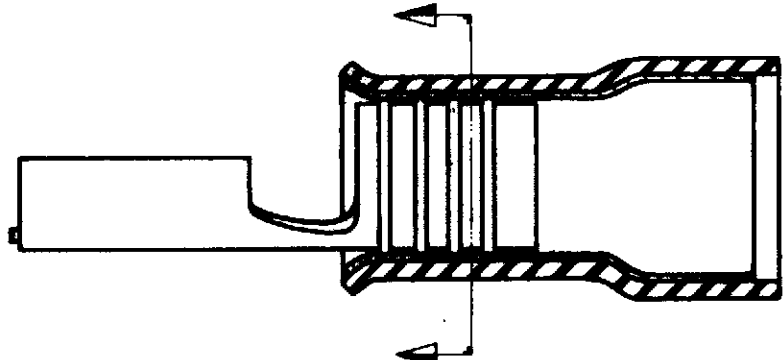
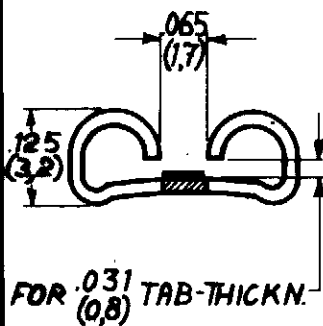
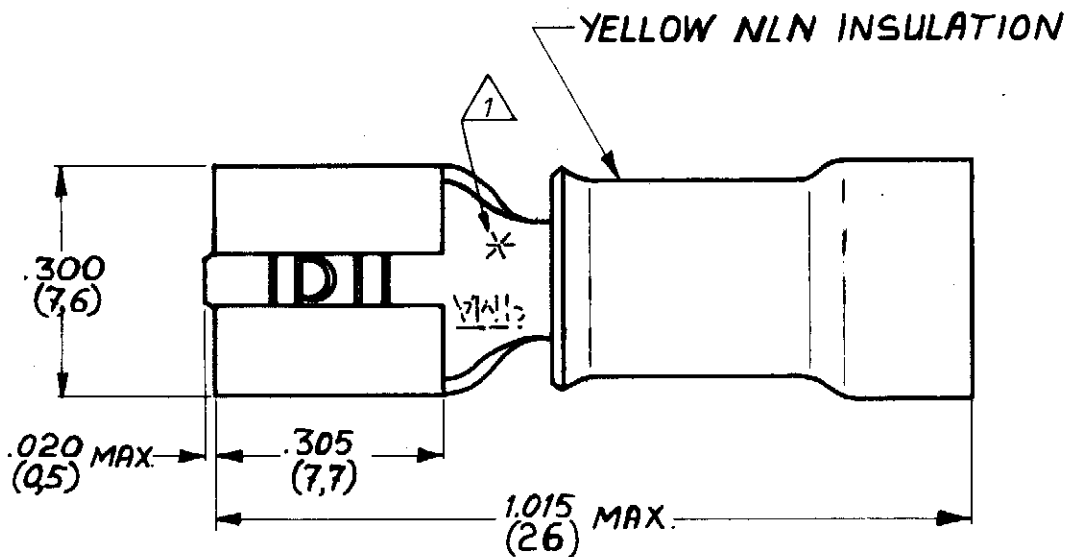


DRAWING MADE IN AMERICAN PROJECTION

P	LTR	DESCRIPTION	DATE	DWN	APVD
	K3	REVISED PER ECO-11-004820	11MAR11	RK	HMR

NUMBER C-160314



- △ ASTERISK * FOR PH.BRONZE VERSION ONLY.
- △ OBSOLETE - NO REPLACEMENT
- 3 DIMENSIONS IN () ARE IN MM.

RECEPTACLE MATERIAL THICKN.: ^{.018}(.45)

CUSTOMER COPY FOR REFERENCE ONLY



△ 2-160314-5	160314-5 MOUNTED ON TAPE	
160314-8	PH. BRONZE	TIN-LEAD
160314-5	PHOS. BRONZE	PRE-TINNED
△ 2-160314-2	160314-2 MOUNTED ON TAPE	
△ 160314-4	BRASS	GOLD
160314-2		TIN
ORDER NO.	MATERIAL	PLATING
DR. R. N. ISSER 4/4/71	DATE	DE DATE
CHK	DATE	APP DATE

WIRE-RANGE 4-6 mm ²	INSUL-RANGE 2.50 MAX. DIA (.38)	Tol ±.015 2 PLC ±(0.38)
SCALE	SIZE A	NO C-160314
NAME 250 Ser. PIDG FASTON RECEPTACLE		REV K3

INCHES DIMENSIONS IN () DO NOT SCALE PRINT