

THIS DRAWING IS UNPUBLISHED.

RELEASED FOR PUBLICATION

© COPYRIGHT - By -

ALL RIGHTS RESERVED.

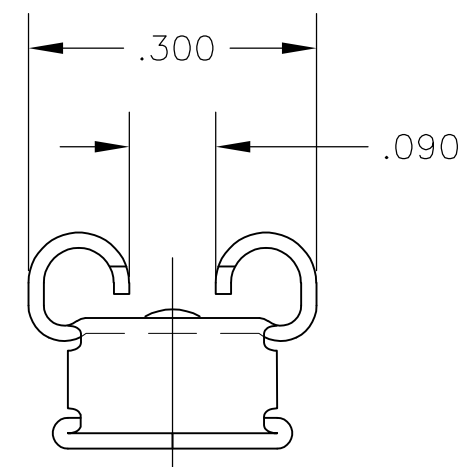
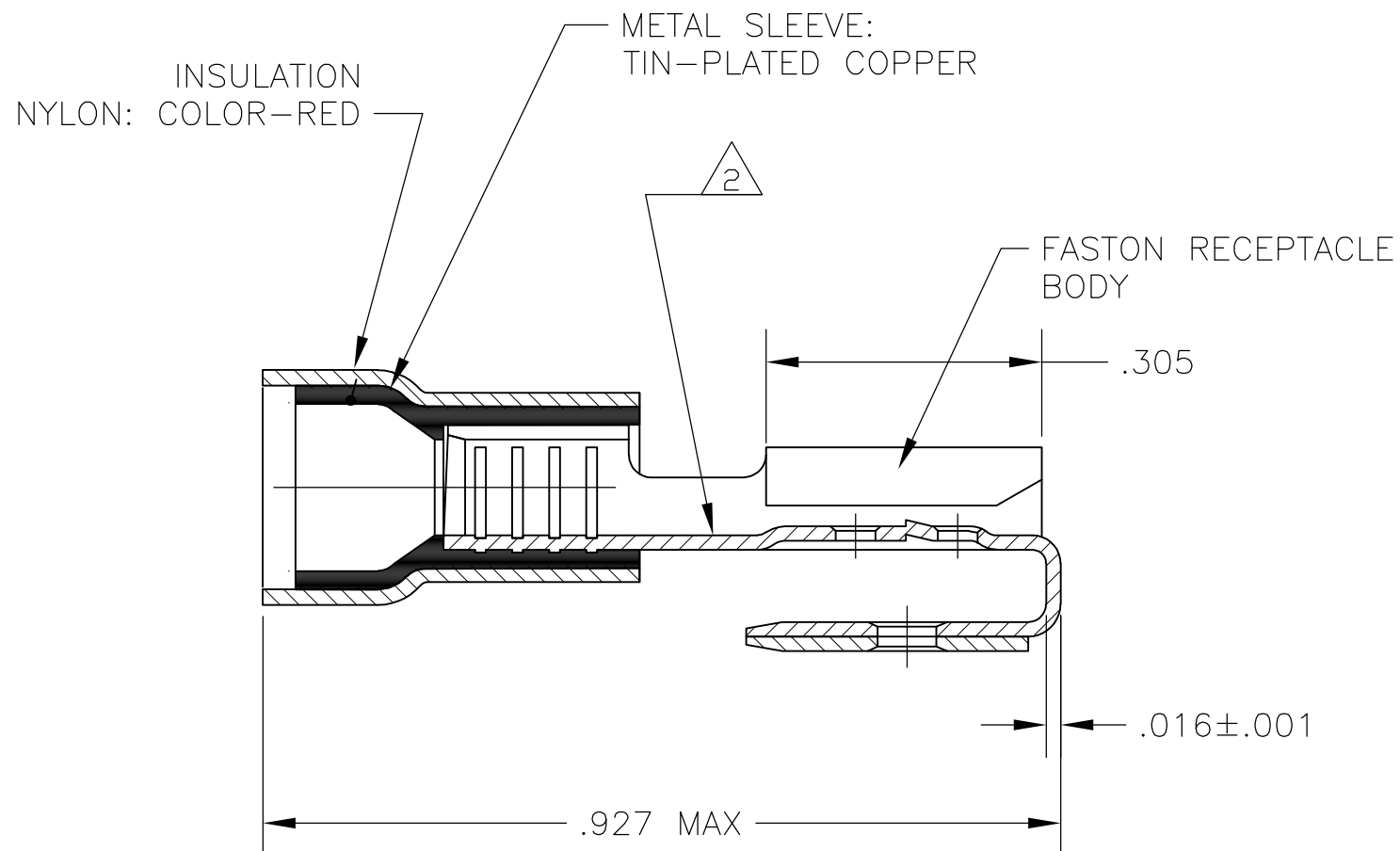
LOC
G

DIST
86

REVISIONS

P	LTR	DESCRIPTION	DATE	DWN	APVD
	C2	REVISED PER ECO-11-004820	11MAR11	RK	HMR

- 1 MATING TAB THICKNESS .032
- 2 ASTERISK * FOR PHOS BRONZE ITEMS ONLY.
- 3 WIRE INSULATION DIA TO BE .140 MAX
- 4 MAX RECOMMENDED OPERATING TEMP IS 105°C OR 221°F
- 5 VOLTAGE RATING IS 300V MAX
- 6 CIRCULAR MIL AREA 0.3-1,5mm2 [592-2960]



TIN PLATING	PHOS BRONZE ²	160834-5
TIN PLATING	BRASS	160834-2
FINISH - TERMINAL	FASTON RECEPTACLE MATERIAL	PART NO

THIS DRAWING IS A CONTROLLED DOCUMENT.		DWN jr_ruth 22FEB06	TE Connectivity 250 SERIES P.I.D.G. FASTON REC, ASS'Y, PIGGYBACK, LOOSE PIECE WIRE SIZE: 22-16 AWG				
DIMENSIONS: INCHES		CHK T MICHELUTTI 22FEB06				APVD T MICHELUTTI 22FEB06	NAME
		TOLERANCES UNLESS OTHERWISE SPECIFIED:				PRODUCT SPEC	
MATERIAL SEE TABLE		FINISH SEE TABLE				APPLICATION SPEC	
		WEIGHT -		SIZE A3	CAGE CODE 00779	DRAWING NO C-160834	RESTRICTED TO -
CUSTOMER DRAWING			SCALE 5:1	SHEET 1 OF 1	REV C2		