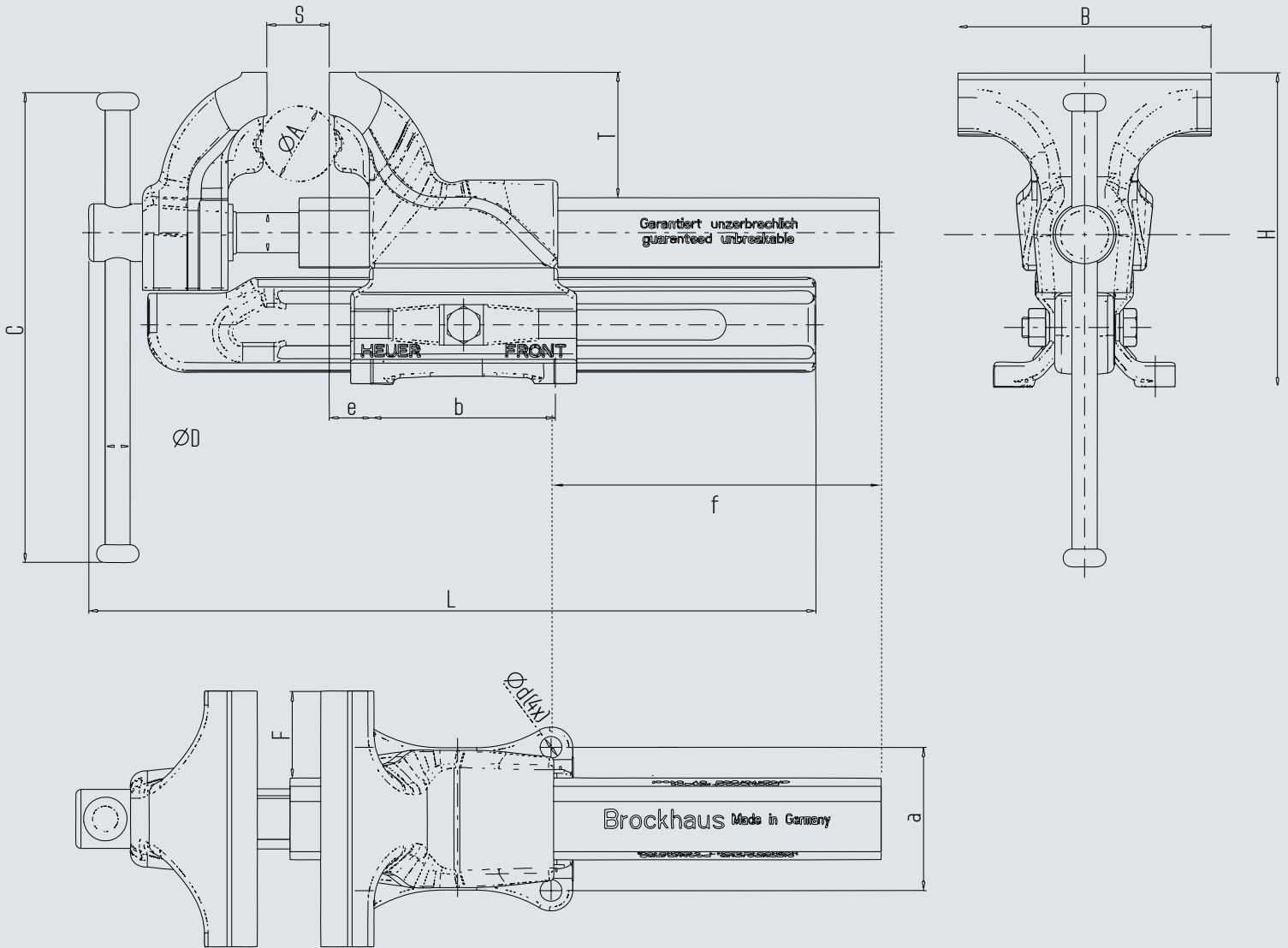


# HEUER Vice



## Technical specifications:

Size (mm)	B (mm)	L (mm)	H (mm)	C (mm)	$\varnothing D$ (mm)	a (mm)	b (mm)	$\varnothing d$ (mm)	e (mm)	f (mm)	Item No.
100	100	290	124	187	10	56	73	8,5	17	135	100 100
120	120	370	155	215	13	76	98	11	24	150	100 120
140	140	475	192	270	16	96	120	11	29	220	100 140
160	160	535	225	320	19	120	140	13	35	235	100 160
180	180	535	225	370	19	120	140	13	35	235	100 180

Size (mm)	S (mm)	T (mm)	F (mm)	$\varnothing A$ (mm)	$\varnothing A$ (")	Clamping force (manual, kN)	Weight (kg)
100	125	50	34	16-30	$5/8'' - 1 3/16''$	15-17,5	4,5
120	150	65	40,5	16-55	$5/8'' - 2 3/16''$	25-30	9
140	200	80	47	27-70	$1 1/16'' - 2 3/4''$	30-35	16
160	225	100	55	27-100	$1 1/16'' - 4''$	35-40	27
180	225	100	65	27-100	$1 1/16'' - 4''$	35-40	29

**BROCKHAUS** **HEUER**  
GmbH

Oestertalstraße 54

D-58840 Plettenberg (Germany)

Phone: +49(0)23 91 - 60 29-0

Fax: +49(0)23 91 - 60 29-29

[info@heuer.de](mailto:info@heuer.de)

Subject to technical modification