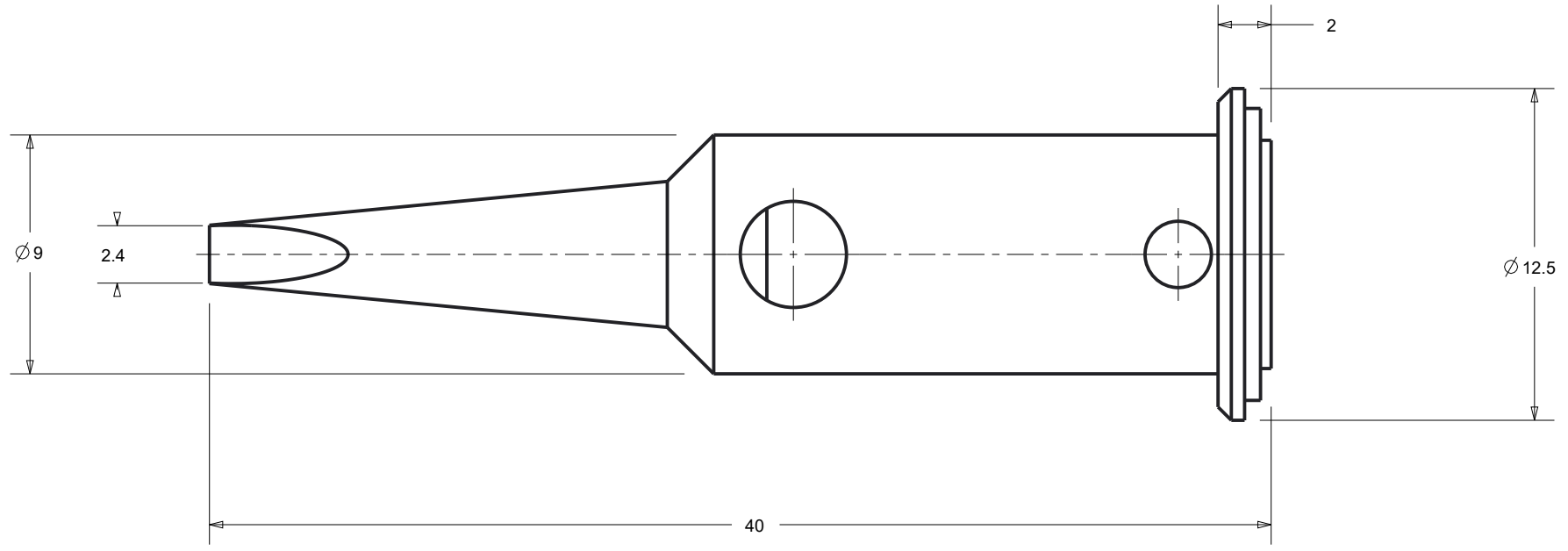


SCALE 1.000



NOTE:
 IRON PLATED - NICKLE FLASH.
 SOLDER DIPPED

				Free Tolerance	Material	Where Used
				+/- 0.1	Brass CZ121	
				DATE	NAME	Description
				DRG.	20-Nov-02 John	
				CHK.		Tip MK5 2.4 DF Plated
F	467	231104	JOHN	APR.		
E	415	201102	BRETT			
D	322					
C	150					
B						
REV	ECN	DATE	NAME			
					Part Number	Scale
					010530400	1.000
					SHEET 1 of 1	Rev.
						F