

Dot laser, red, 650 nm, 0.4 mW

LFD650-0.4-12(9x20)
Order Number: 70108507

| Main Parameters (*) | min | typ | max | Unit |
|-----------------------|-----|-----|-----|------|
| Wavelength | | 650 | | nm |
| Optical Diode Power | 0.2 | 0.4 | 0.4 | mW |
| Operating Voltage | 3 | 3 | 12 | V DC |
| Operating Current | 5 | 15 | 25 | mA |
| Operating Temperature | -20 | | 40 | °C |
| Storage Temperature | -40 | | 80 | °C |

Stammdaten

Warranty 1 Jahre

Technical Parameters

Lifetime >3000 h
RoHS yes

Optical Parameters

| | |
|--------------------|--------------|
| Beam Shape | Dot |
| Laser Class | 1 |
| Divergence | H - 1.0 mrad |
| Beam Diameter | 3 mm |
| Size of Laserdot | <4..5mm@5m |
| Operating Distance | 10 m |
| Optics | acryl lense |
| Laser technology | diode |
| Focus | collimated |

Electrical Parameters

Potential of Housing VDD(+)
Power Supply LFNT-3

Mechanical Parameters

| | |
|-----------------|----------------------------|
| Size | Ø9x20 mm |
| Material | Brass |
| Cable length | 100 mm |
| Wire type | 26AWG, 0,14mm ² |
| Output Aperture | 3 mm |
| Weight | 6 g |

(*) Over the complete operating temperature range



Features

- Compact size
- Laser Class 1
- Low power consumption
- Operating Voltage 3-12V DC
- Low cost

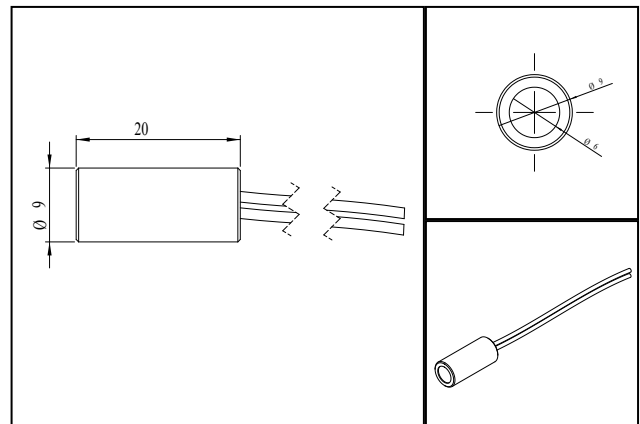
Picture



Cable color

| | | | |
|----------|--|-------|--------------------|
| Ground |  | black | GND |
| positive |  | red | 3 - 12, typ 3 V DC |

Drawing



safety label



Valid Revision

REV 13 | 10-DEC-2019