

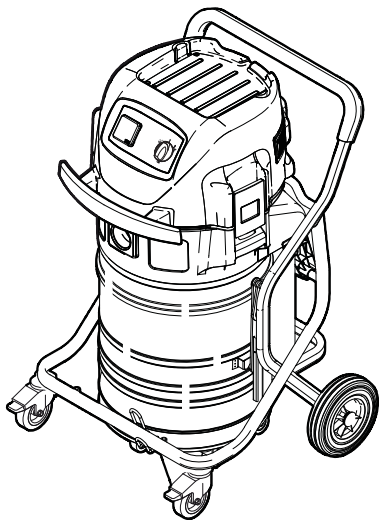
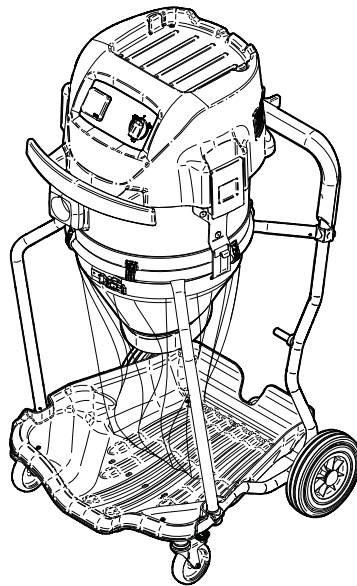
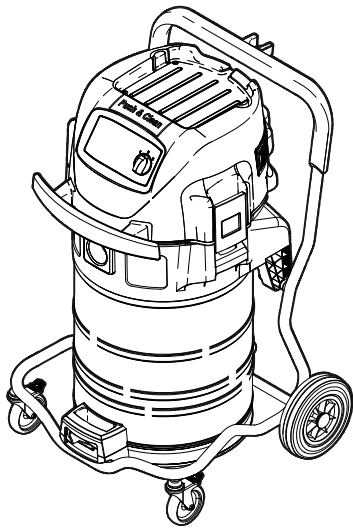


ATTIX 961-01

ATTIX 963-21 ED XC

ATTIX 965-21 SD XC

Operating Instructions



Nilfisk
ALTO
works for you

Contents

1	Important safety instructions	2
2	Description	2.1 Operating elements	6
		2.2 Operating panel.....	7
3	Before starting the cleaner	3.1 Assembling the vacuum cleaner.....	8
		3.1.1 Taking accessories out of the packaging.....	8
		3.1.2 Attaching the suction pipe holder to the suction pipe ¹⁾	8
		3.1.3 Inserting the filter bag (ATTIX 961-01)	9
		3.1.4 Inserting the disposal bag (ATTIX 965-21 SD XC).....	10
		3.1.5 Inserting the disposal bag (ATTIX 963-21 ED XC).....	11
4	Control / Operation	4.1 Connections	12
		4.1.1 Connecting the suction hose	12
		4.1.2 Electrical connection	12
		4.2 Switching on the vacuum cleaner.....	12
		4.2.1 Switch " I-O-II " ¹⁾	12
		4.2.2 Switch „ auto-0-I “ ¹⁾	12
		4.2.3 Suction power control ¹⁾	13
		4.2.4 Auto-On/Off-Operation - "auto" switch position ¹⁾	13
		4.3 Cleaning the filter element	14
		4.3.1 Cleaning the filter element (Push&Clean System) ¹⁾	14
		4.3.2 Cleaning the filter element " XtremeClean " (ATTIX 963-21 ED XC, ATTIX 965-21 SD XC)	14
5	Applications and methods	5.1 Techniques	15
		5.1.1 Picking up dry substances.....	15
		5.1.2 Picking up liquids.....	15
6	After using the cleaner	6.1 Switching the vacuum cleaner off and storage.....	16
7	Maintenance	7.1 Maintenance plan	17
		7.2 Maintenance work	18
		7.2.1 Emptying the dirt tank (ATTIX 961-01)	18
		7.2.2 Emptying the dirt tank (ATTIX 965-21 SD XC)	19
		7.2.3 Replacing the filter bag(ATTIX 961-01)	20
		7.2.4 Replacing the disposal bag (ATTIX 965-21 SD XC).....	21
		7.2.5 Replacing the disposal bag (ATTIX 963-21 ED XC).....	22
		7.2.6 Replacing filter element.....	23
8	Troubleshooting	24
9	Further information	9.1 Recycling the vacuum cleaner	25
		9.2 Guarantee	25
		9.3 Tests and approvals.....	25
		9.4 EC declaration of conformity	25
		9.5 Technical data	26
		9.6 Optional accessories.....	26

EN 1 Important safety instructions

Symbols used to mark instructions



Prior to using the appliance for the first time, be sure to read this document through and keep it ready to hand.

	DANGER
	Danger that leads directly to serious or irreversible injuries, or even death.
	WARNING
	Danger that can lead to serious injuries or even death.
	CAUTION
	Danger that can lead to minor injuries and damage.

The appliance must

- only be used by persons, who have been instructed in its correct usage and explicitly commissioned with the task of operating it
- only be operated under supervision
- not be used by children

1. Do not use any unsafe work techniques.
2. Never use the vacuum cleaner without a filter.
3. Switch off the appliance and disconnect the mains plug in the following situations:
 - Prior to cleaning and servicing
 - Prior to replacing components
 - If foam develops or liquid emerges

Besides the operating instructions and the binding accident prevention regulations valid in the country of use, observe recognised regulations for safety and proper use.

Purpose and intended use

The appliance is suitable for picking up dry, non-flammable dust and liquids.

Do not use the ATTIX 963-21 ED XC to pick up liquids.

The appliance is suitable for commercial use, such as e.g. in

- Hotels
- Schools
- Hospitals
- Factories
- Shops
- Offices
- Hire shops

Any other use is considered as improper use. The manufacturer accepts no liability for any damage resulting from such use. The risk for such use is borne solely by the user.

Proper use also includes proper operation, servicing and repairs as specified by the manufacturer.



Transport

1. Before transporting the dirt tank, close all the locks.
2. Do not tilt the cleaner if there is liquid in the dirt tank.
3. Do not use a crane hook to lift the cleaner.

Storage

1. Store the appliance in a dry place, protected from frost.

Electrical connection

1. It is recommended that the vacuum cleaner should be connected via a residual current circuit breaker.
2. Arrange the electrical parts (sockets, plugs and couplings) and lay down the extension lead so that the protection class is maintained.
3. Connectors and couplings of power supply cords and extension leads must be watertight.

Extension lead

1. As an extension lead, only use the version specified by the manufacturer or one of a higher quality. See operating instructions.
2. When using an extension lead, check the minimum cross-sections of the cable:

Cable length	Cross section	
	< 16 A	< 25 A
up to 20 m	1.5 mm ²	2.5 mm ²
20 to 50 m	2.5 mm ²	4.0 mm ²





Guarantee

Our general conditions of business are applicable with regard to the guarantee.


Unauthorised modifications to the appliance, the use of incorrect brushes in addition to using the appliance in a way other than for the intended purpose exempt the manufacturer from any liability for the resulting damage.

EN Risks


Electrical components

	<p style="text-align: center;">DANGER</p> <p>Electric shock due to faulty mains connecting lead.</p> <p>Touching a faulty mains connecting lead can result in serious or even fatal injuries.</p> <ol style="list-style-type: none"> 1. Do not damage the mains power lead (e.g. by driving over it, pulling or crushing it). 2. Regularly check whether the power cord is damaged or shows signs of ageing. 3. Have the faulty mains connecting lead replaced by your Nilfisk-Alto service representative or a qualified electrician prior to using the appliance again.
	<p style="text-align: center;">DANGER</p> <p>The upper section of the vacuum cleaner contains live components.</p> <p>Contact with live components leads to serious or even fatal injuries.</p> <ol style="list-style-type: none"> 1. Never spray water on to the upper section of the vacuum cleaner.
	<p style="text-align: center;">CAUTION</p> <p>Appliance socket ¹⁾</p> <p>The appliance socket is only designed for the purposes defined in the operating instructions.</p> <ol style="list-style-type: none"> 1. The connection of different appliances can result in damage. 2. Prior to plugging in an appliance, always switch off the vacuum cleaner and the appliance that is to be connected. 3. Read the operating instructions to the appliance to be connected and observe the safety notes contained in these.
	<p style="text-align: center;">CAUTION</p> <p>Damage due to unsuitable mains voltage.</p> <p>The appliance can be damaged as a result of being connected to an unsuitable mains voltage.</p> <ol style="list-style-type: none"> 1. Ensure that the voltage shown on the rating plate corresponds to the voltage of the local mains power supply.


Picking up liquids

CAUTION	
	<p>Picking up liquids.</p> <p>ATTIX 965-21 SD XC: Due to their construction vacuum cleaners with a removable tank (SD) do not have an automatic level indicator. There is a risk of damage to the vacuum cleaner due to overfilling or of damage due to leakage of the picked up liquid.</p> <ol style="list-style-type: none"> 1. Never pick up more than 40 litres at once. 2. Switch off the vacuum cleaner and empty the dirt tank.


Hazardous materials

WARNING	
	<p>Hazardous materials.</p> <p>Vacuuuming up hazardous materials can lead to serious or even fatal injuries</p> <ol style="list-style-type: none"> 1. The following materials must not be picked up by the vacuum cleaner: <ul style="list-style-type: none"> - hazardous dust - hot materials (burning cigarettes, hot ash, etc.) - flammable, explosive, aggressive liquids (e.g. petrol, solvents, acids, alkalis, etc.) - flammable, explosive dust (e.g. magnesium or aluminium dust, etc.)

Spare parts and accessories

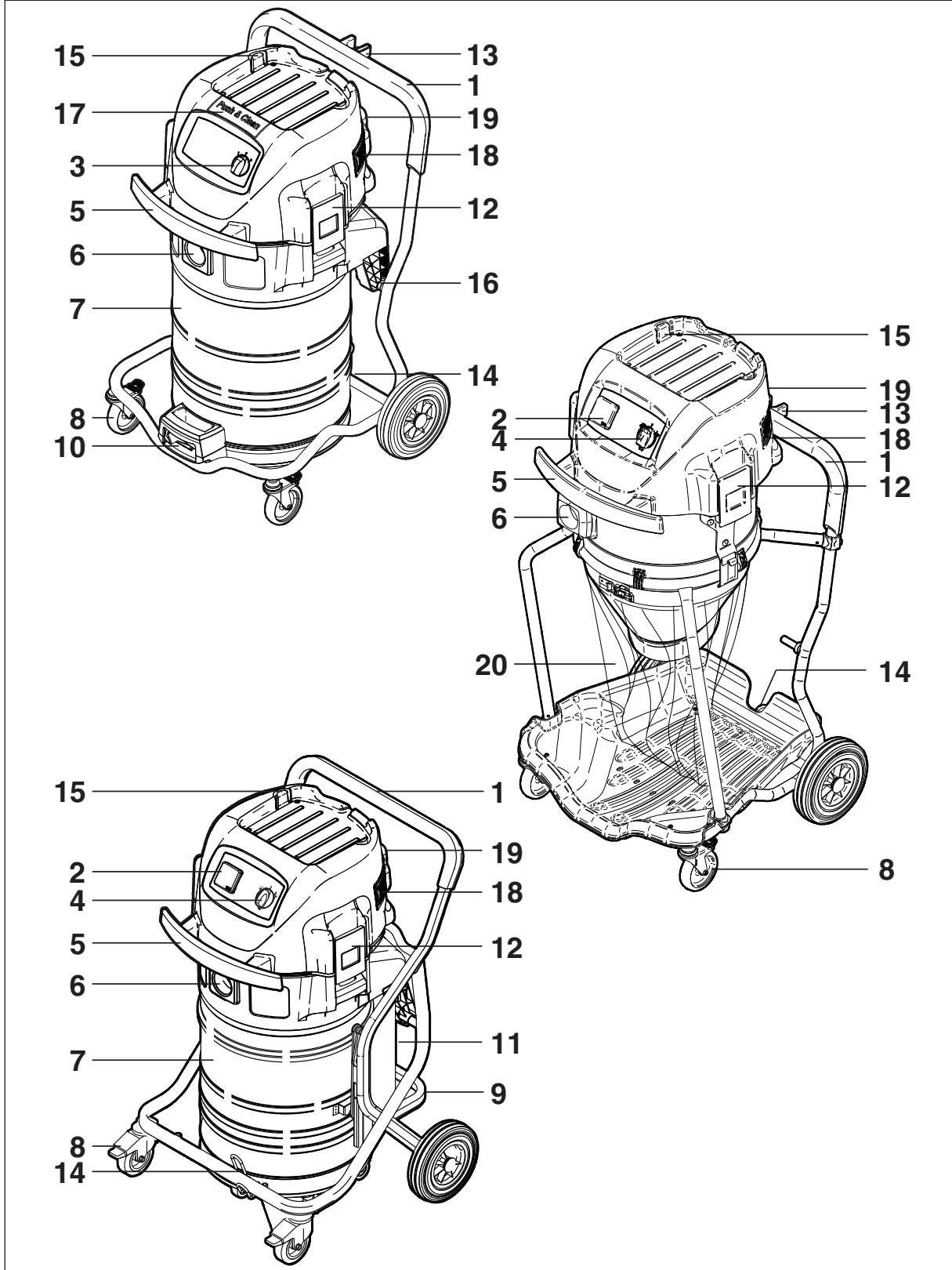
CAUTION	
	<p>Spare parts and accessories.</p> <p>The use of non-genuine spare parts and accessories can impair the safety of the appliance.</p> <ol style="list-style-type: none"> 1. Only use spare parts and accessories from Nilfisk-Alto. 2. Use only the brushes supplied with the vacuum cleaner or specified in the operating manual.

Emptying dirt tank

CAUTION	
	<p>Picking up environmentally hazardous materials.</p> <p>Materials picked up can present a hazard to the environment.</p> <ol style="list-style-type: none"> 1. Dispose of the dirt in accordance with legal regulations.

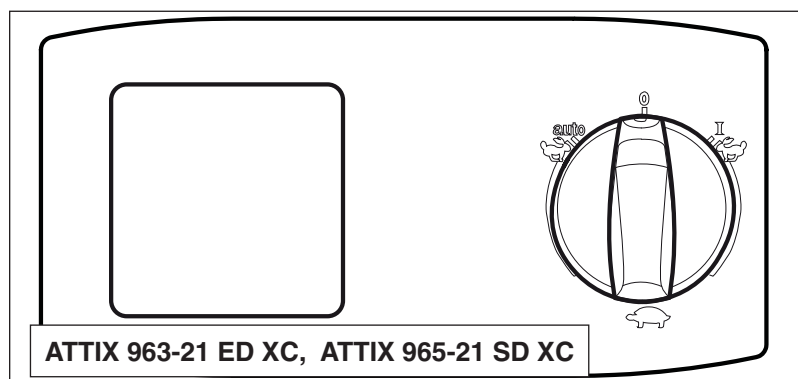
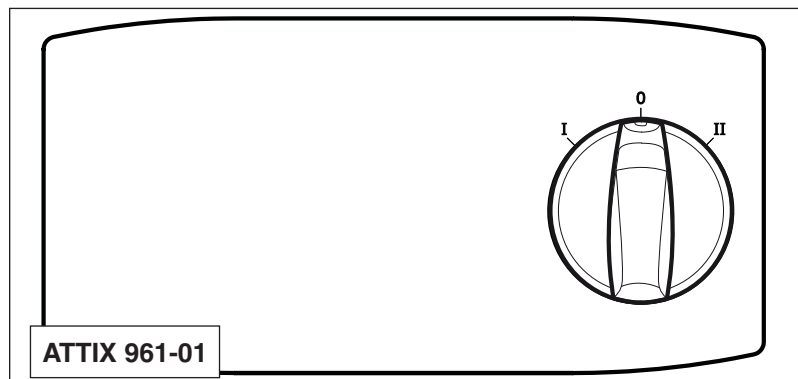
EN 2 Description

2.1 Operating elements



- 1 Handle
- 2 Appliance socket ¹⁾
- 3 Appliance switch "I-0-II" ¹⁾
- 4 Appliance switch with suction power control 'auto-0-I' ¹⁾
- 5 Receptacle for electrical lead
- 6 Inlet fitting
- 7 Dirt tank
- 8 Castor with brake
- 9 Swivel bar to remove dirt tank ¹⁾
- 10 Grip to empty tank ¹⁾
- 11 Handle to remove dirt tank ¹⁾
- 12 Retaining clamp
- 13 Suction pipe support ¹⁾
- 14 Bracket for floor nozzle ¹⁾
- 15 Accessory holder
- 16 Clamps and hinges for dirt tank ¹⁾
- 17 Operating knob for filter cleaning ¹⁾
- 18 Inlet for fresh air
- 19 Outlet for waste air
- 20 Disposal bag

2.2 Operating panel

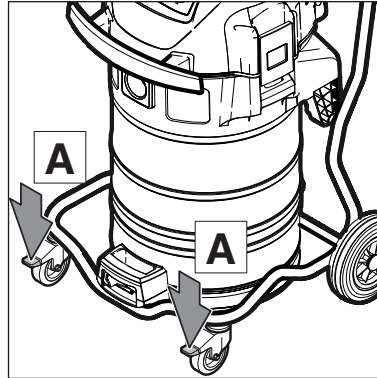


¹⁾ Optional accessories / Option depending on model
Original Instructions

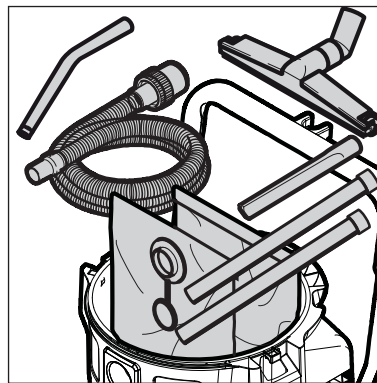
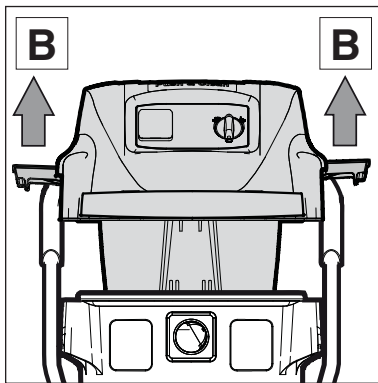
EN 3 Before starting the cleaner

3.1 Assembling the vacuum cleaner

3.1.1 Taking accessories out of the packaging

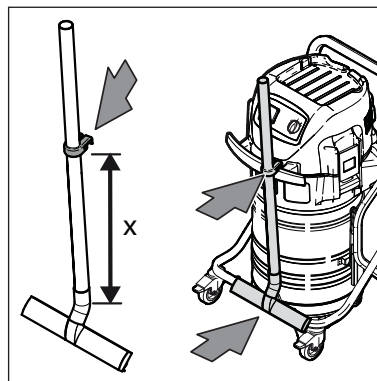


1. Take vacuum cleaner and accessories out of the packaging.
2. The mains plug should not yet be inserted into a socket.
3. Apply parking brakes (A) on both castors.



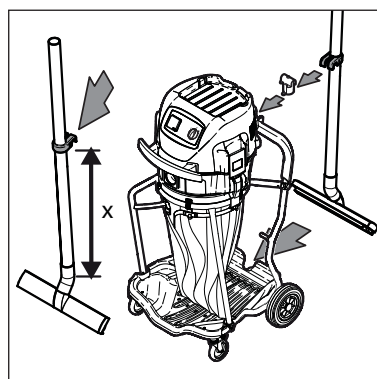
4. Open the retaining clamps (B) and remove the upper section of the vacuum cleaner.
5. Take the accessories ¹⁾ out of the dirt tank and the packaging.

3.1.2 Attaching the suction pipe holder to the suction pipe ¹⁾

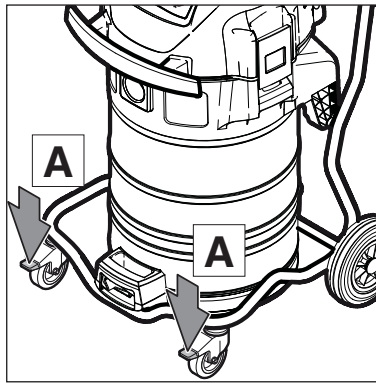


1. Attach the suction pipe holder to the suction pipe.

Accessory diameter	Distance (x) from pivot joint to the floor nozzle cm
38	52
50	47

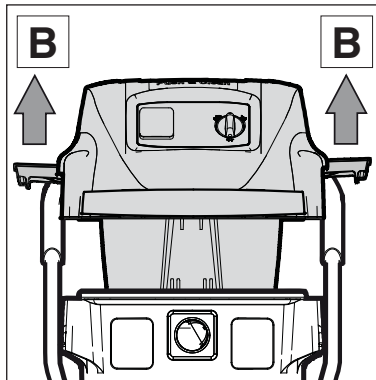


3.1.3 Inserting the filter bag (ATTIX 961-01)

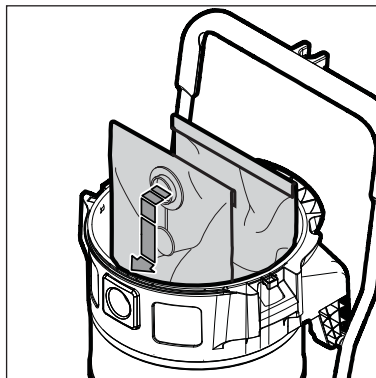


1. The mains plug should not yet be inserted into a socket.
2. Apply parking brakes (A) on both castors.

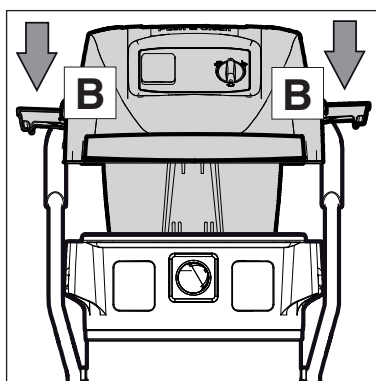
EN



3. Open the retaining clamps (B) and remove the upper section of the vacuum cleaner.



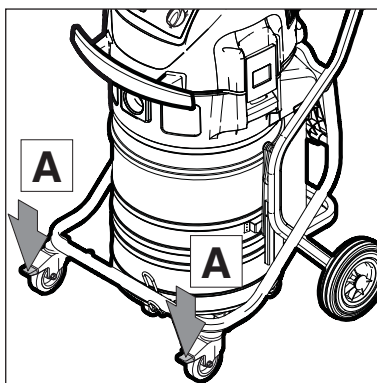
4. Insert the filter bag (C) in the dirt tank.



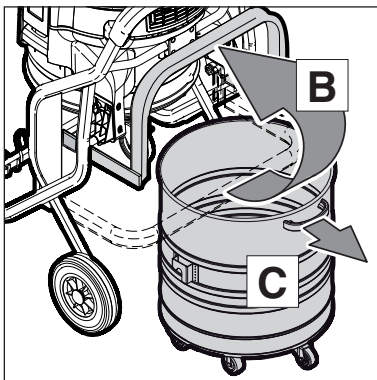
5. Attach the upper section of the vacuum cleaner.
6. Close the retaining clamps (B). Ensure that the retaining clamps fit properly.

EN

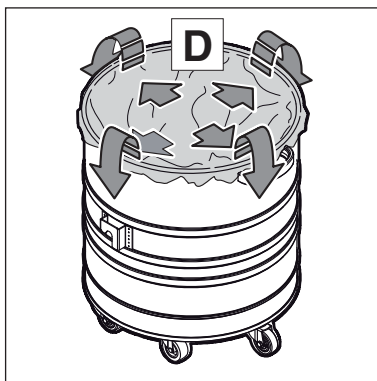
3.1.4 Inserting the disposal bag (ATTIX 965-21 SD XC)



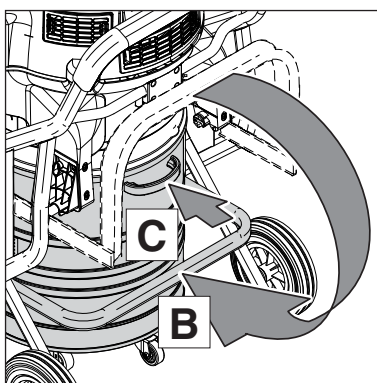
1. The mains plug should not yet be inserted into a socket.
2. Apply parking brakes (A) on both castors.



3. Swing the bar (B) upwards.
4. Use the handle (C) to pull the dirt tank out of the vacuum cleaner.

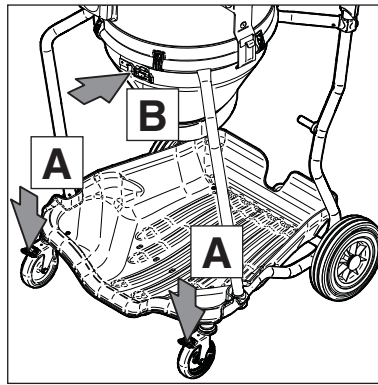


5. Insert the disposal bag (D) in the dirt tank.
6. Fold the top edge of the disposal bag over the rim of the dirt tank.



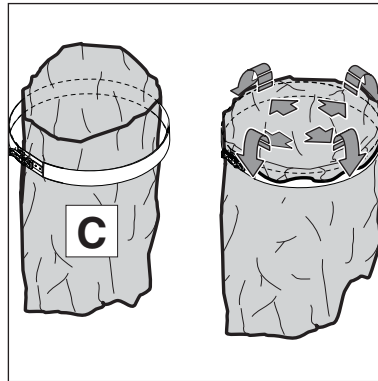
7. Push the dirt tank as far as possible into the vacuum cleaner.
8. Swing the bar (B) downwards without forcing it.

3.1.5 Inserting the disposal bag (ATTIX 963-21 ED XC)

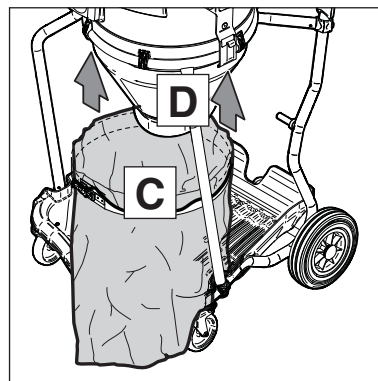


1. The mains plug should not yet be inserted into a socket.
2. Apply parking brakes (A) on both castors.
3. Open clamping ring (B).

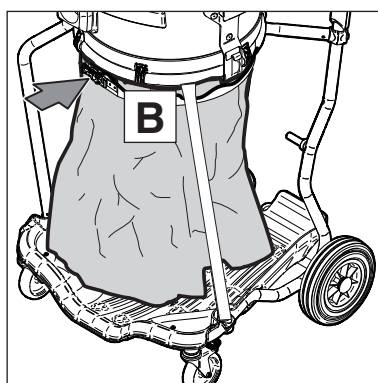
EN



4. Insert disposal bag (C) into clamping ring.
5. Fold the top edge of the disposal bag over the rim of the clamping ring.



6. Attach the new disposal bag (C) onto the storage container (D).

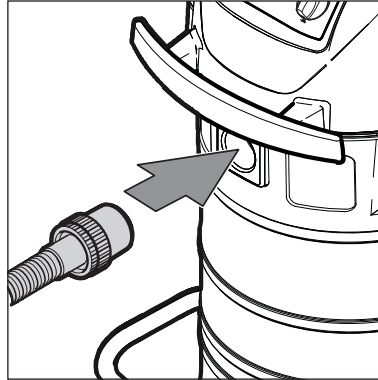


7. Close clamping ring (B).

EN 4 Control / Operation

4.1 Connections

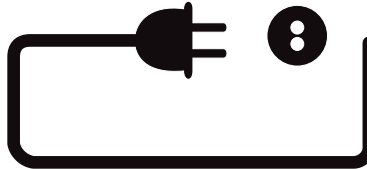
4.1.1 Connecting the suction hose



1. Connect the suction hose.

4.1.2 Electrical connection

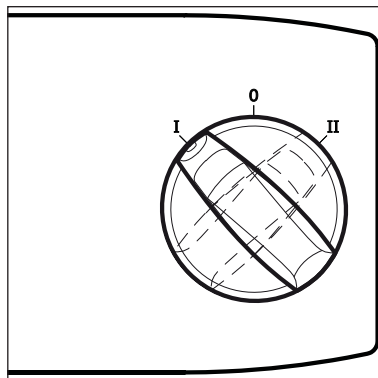
The operating voltage shown on the rating plate must correspond to the voltage of the mains power supply.



1. Ensure that the cleaner is switched off.
2. Insert the power cord into a properly installed and fused socket with earthing contact.

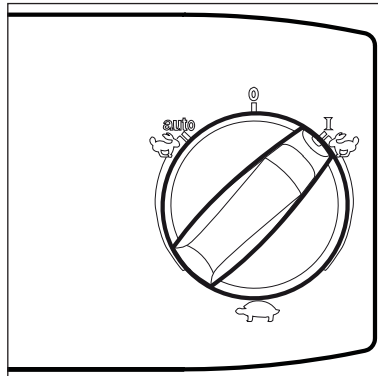
4.2 Switching on the vacuum cleaner

4.2.1 Switch " I-0-II " ¹⁾



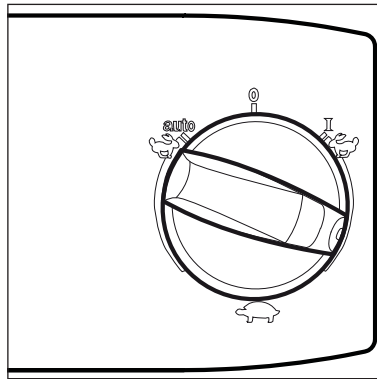
Switch position	Function
I	Reduced suction
0	Off
II	Maximum suction

4.2.2 Switch „ auto-0-I “ ¹⁾



Switch position	Function
I	Maximum suction

4.2.3 Suction power control ¹⁾



Switch position	Function
	The suction power control switch allows precise adaptation of the suction power for different cleaning tasks.

EN

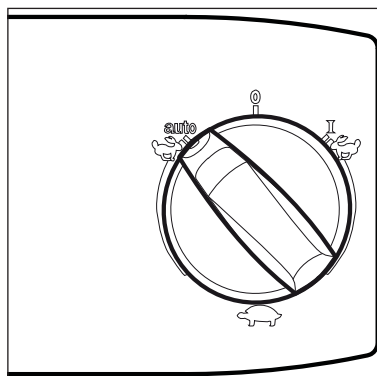
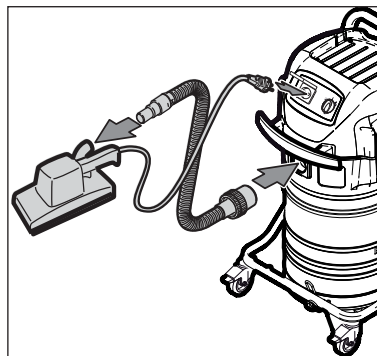
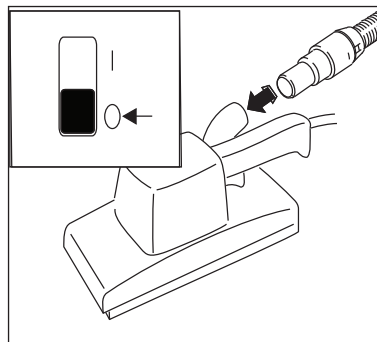
4.2.4 Auto-On/Off-Operation - "auto" switch position ¹⁾

The vacuum cleaner is switched on and off by the power tool connected. Dirt is picked up from the source of dust immediately.

To comply with regulations, only approved dust producing tools should be connected.

The maximum power consumption of the connected electrical appliance is stated in section 9.5 "Technical data".

Before switching the switch to position „auto“, ensure that the tool connected to the appliance socket is switched off.



1. Switch off the vacuum cleaner.
2. Switch off the power tool.
3. Connect the power tool and the vacuum cleaner with a suction hose.
4. Insert the plug of the power tool into the tool socket on the operating panel of the vacuum cleaner.
5. Switch on the vacuum cleaner. Switch in "auto" position.
6. Switch on the power tool. The vacuum cleaner motor starts when the connected power tool is switched on. When the power tool is switched off, the vacuum cleaner continues to run for a short moment so that any dust in the suction hose is conveyed to the filter bag.

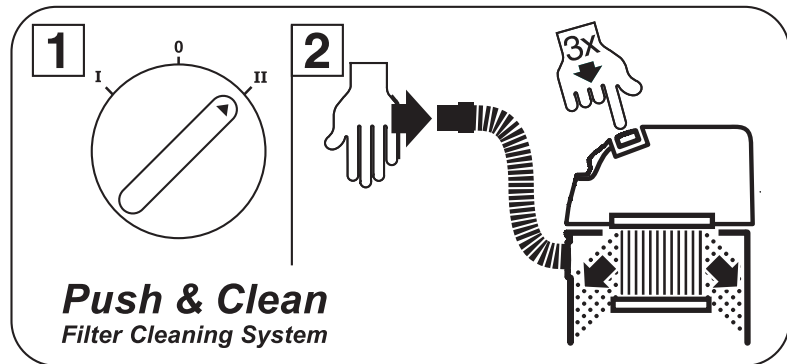
¹⁾ Optional accessories / Option depending on model
Original Instructions

EN

4.3 Cleaning the filter element

4.3.1 Cleaning the filter element (Push&Clean System)¹⁾

Only for vacuum cleaning without a filter bag and without a cloth insert filter.

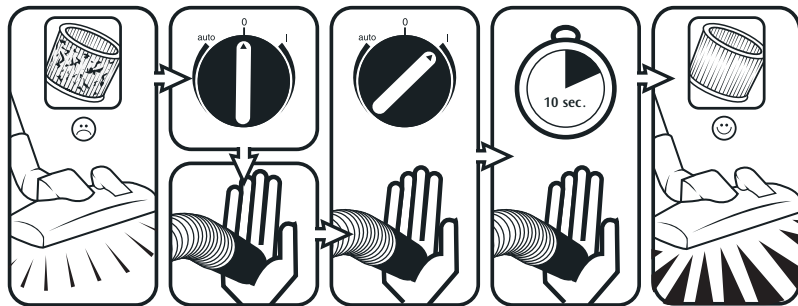


If suction performance drops:

1. Turn switch to position "II" (maximum suction power).
2. Close the nozzles or suction hose opening with the palm of your hand.
3. Press the button to start filter cleaning three times. The resulting stream of air removes attached dust from the slats of the filter elements.

4.3.2 Cleaning the filter element " XtremeClean " (ATTIX 963-21 ED XC, ATTIX 965-21 SD XC)

Only for vacuum cleaning without a cloth insert filter.



To ensure that suction performance is always at its best, the filter element is automatically cleaned during operation. We recommend complete cleaning if the filter element becomes extremely dirty.

1. Switch off the vacuum cleaner
2. Close the nozzles or suction hose opening with the palm of your hand.
3. Turn the switch to position „I“ and let the cleaner operate for approx. 10 seconds with the suction hose opening closed.

5 Applications and techniques

5.1 Techniques

If used correctly, additional accessories, suction nozzles and suction hoses can enhance the cleaning action and reduce the cleaning effort.

Effective cleaning is achieved if you follow just a few guidelines in combination with your own practical experience in special fields.

Here are some basic tips.

5.1.1 Picking up dry substances

CAUTION!

Do not pick up flammable substances.

Before picking up dry substances, always ensure that a filter bag is inserted in the tank (see section 9.6 "Accessories" for order number). Disposal of the picked up material is then simple and hygienic.

After picking up liquids, the filter element is wet. A damp filter element clogs more quickly when dry substances are picked up. For this reason the filter element should be washed and dried or replaced by a dry element before dry substances are picked up.

5.1.2 Picking up liquids

CAUTION!

Do not pick up flammable liquids.

Do not use the ATTIX 963-21 ED XC to pick up liquids.

Before liquids are picked up, always remove the filter bag/disposal bag.

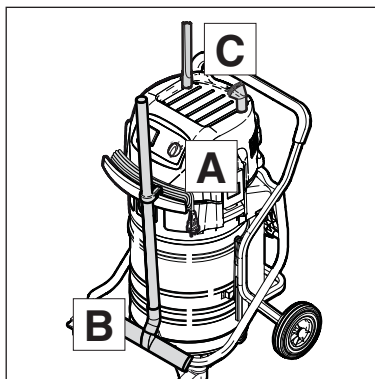
The use of a separate filter element or filter screen is recommended.

If foam appears, stop work immediately and empty the tank.

To reduce the amount of foam, use foam killer Alto Foam Stop (see section 9.6 "Accessories" for order number).

EN 6 After finishing work

6.1 Switching the vacuum cleaner off and storage



1. Switch off the cleaner and pull the mains plug out of the socket.
2. Wind up the power cord and hang it on the handle (A). Begin winding up the cord at the cleaner end and not the plug end to prevent the power cord from tangling up.
3. Empty the dirt tank and clean the vacuum cleaner.
4. After picking up liquids: Store the upper section of the vacuum cleaner separately so that the filter element can dry.
5. Hang the suction hose with the floor nozzle (B) in the brackets and pack the accessories (C) away.
6. Store the cleaner in a dry room where it is protected from unauthorized use.



7 Maintenance

7.1 Maintenance plan

ATTIX 961-01:

		After finishing work	When required
7.2.1	Emptying dirt tank	●	
7.2.3	Replacing the filter bag		●
7.2.6	Replacing filter element		●

ATTIX 965-21 SD XC:

		After finishing work	When required
7.2.2	Emptying dirt tank	●	
7.2.4	Replacing the disposal bag		●
7.2.6	Replacing filter element		●

ATTIX 963-21 ED XC:

		After finishing work	When required
7.2.5	Replacing the disposal bag		●
7.2.6	Replacing filter element		●

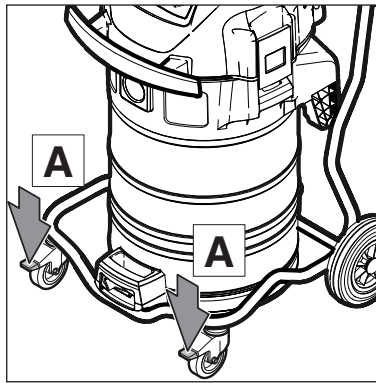


7.2 Maintenance work
7.2.1 Emptying the dirt tank
(ATTIX 961-01)

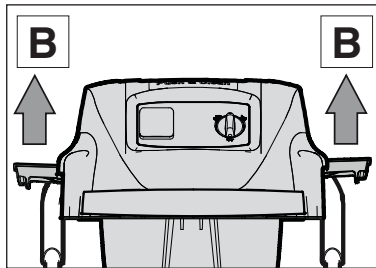
After emptying the tank: clean the rim of the tank and the seals in the intermediate ring and the upper section of cleaner before refitting them.

If the seal or groove is dirty or damaged, the suction performance will be reduced.

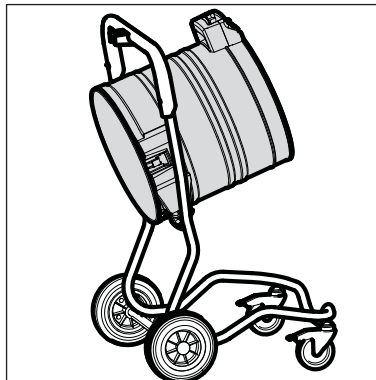
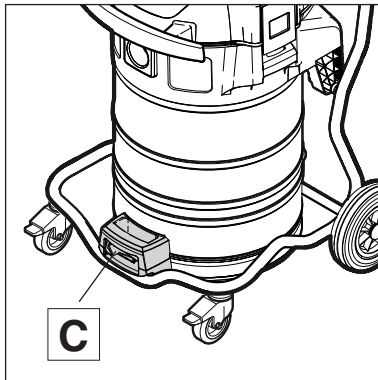
Before reinserting the suction hose: clean the inlet fitting and hose collar.



1. Switch off the vacuum cleaner and pull the mains plug out of the socket.
2. Apply parking brakes (A) on both castors.

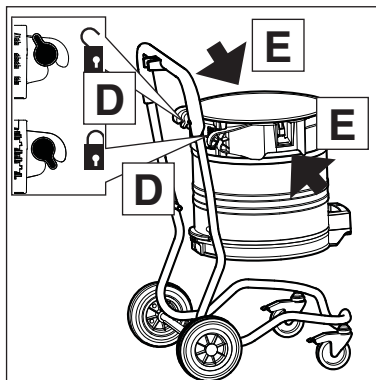


3. Open the retaining clamps (B) and remove the upper section of the vacuum cleaner.



Tilting the dirt tank:

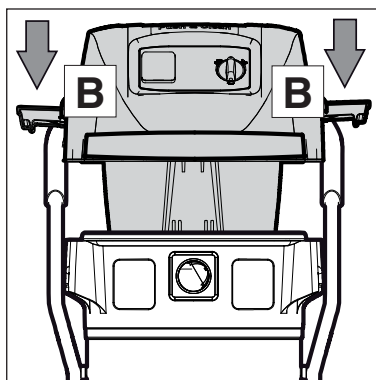
4. Pull the lever in the handle (C) upwards and tilt the tank.
5. Tip out the collected dirt.
6. Dispose of the dirt in accordance with legal regulations.



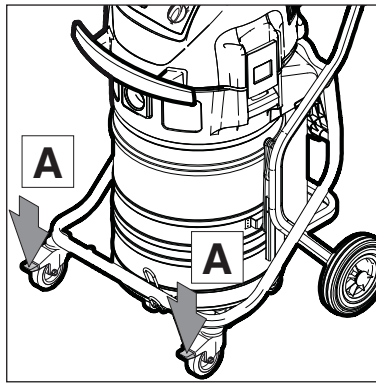
or

Removing the dirt tank:

4. Open the tank locks (D).
5. Use the handles (E) to lift the tank out of the frame.
6. Tip out the collected dirt.
7. Dispose of the dirt in accordance with legal regulations.
8. Place the empty tank in the frame and close the locks (D).
9. Attach the upper section of the vacuum cleaner.
10. Close the retaining clamps (B). Ensure that the retaining clamps fit properly.

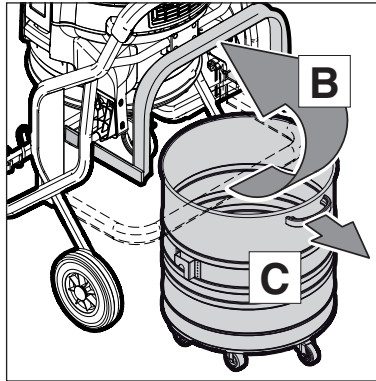


7.2.2 Emptying the dirt tank (ATTIX 965-21 SD XC)



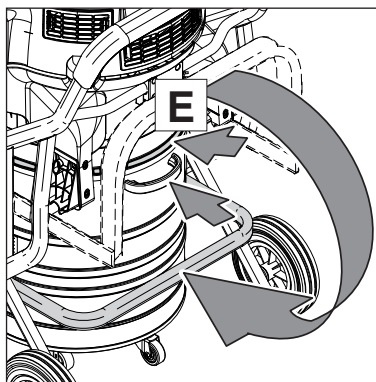
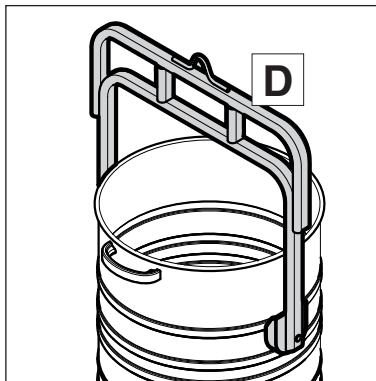
1. Switch off the vacuum cleaner and pull the mains plug out of the socket.
2. Apply parking brakes (A) on both castors.

EN



Removing the dirt tank:

3. Swing the bar (B) upwards.
4. Use the handle (C) to pull the dirt tank out of the vacuum cleaner.
5. Tipping out the collected dirt: **WARNING!** If heavy dirt has been picked up, never lift the dirt tank alone. Use the FORKLIFT (D), which is available as an accessory.
6. Use a crane or fork lift truck to position the FORKLIFT above the dirt tank.
7. Attach the tank to the accessory.
8. Dispose of the dirt in accordance with legal regulations.



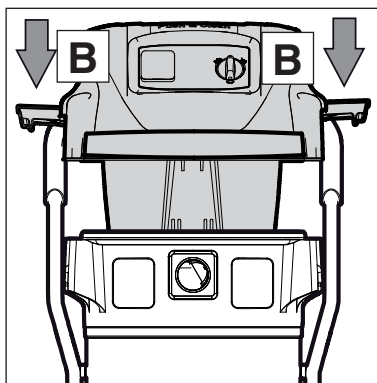
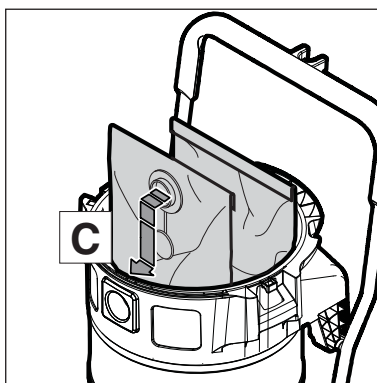
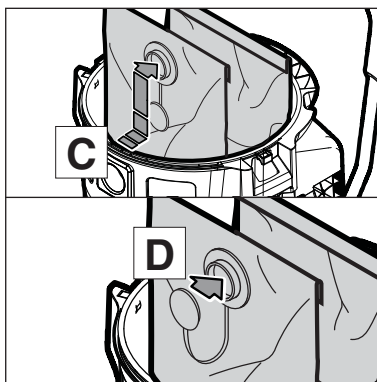
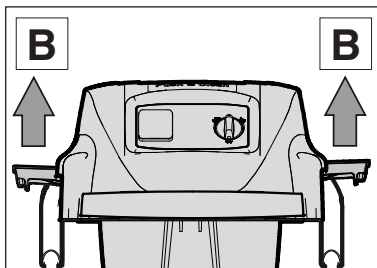
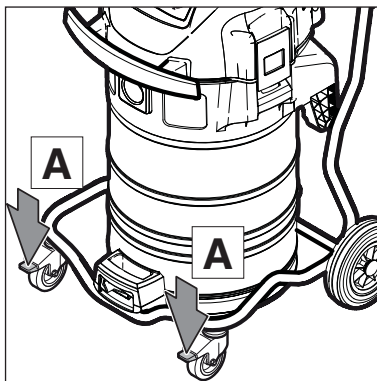
Inserting the dirt tank:

9. Clean the dirt tank.
10. Check the seals (E) between the tank and the upper section of the vacuum cleaner.
11. Push the dirt tank as far as possible into the vacuum cleaner.
12. Swing the bar (B) downwards without forcing it.

EN

7.2.3 Replacing the filter bag (ATTIX 961-01)

If the filter bag has heavy dirt, remove the bag by tilting the tank. See Section 7.2.1.



1. Switch off the vacuum cleaner and pull the mains plug out of the socket.
2. Apply parking brakes (A) on both castors.

3. Open the retaining clamps (B) and remove the upper section of the vacuum cleaner.

Removing the filter bag:

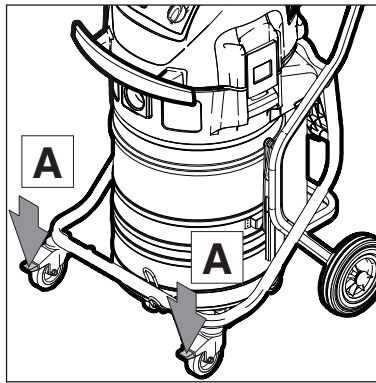
4. Carefully remove the filter bag connection from the inlet fitting (C).
5. Close the filter bag connection (1) with the hinged lid.
6. Dispose of the filter bag in accordance with legal regulations.

Inserting the filter bag:

7. Clean the dirt tank.
8. Insert the filter bag in the dirt tank.
9. Press the bush of the new filter bag firmly on to the inlet fitting (C).

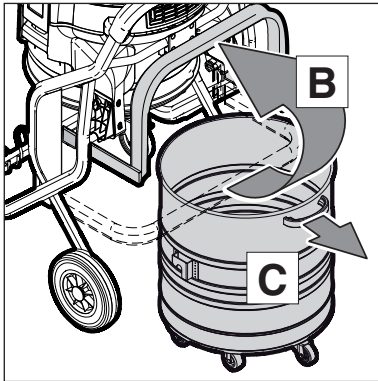
10. Attach the upper section of the vacuum cleaner.
11. Close the retaining clamps (B). Ensure that the retaining clamps fit properly.

7.2.4 Replacing the disposal bag (ATTIX 965-21 SD XC)



1. Switch off the vacuum cleaner and pull the mains plug out of the socket.
2. Apply parking brakes (A) on both castors.

EN

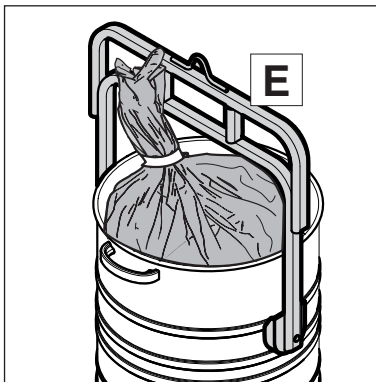


Removing the disposal bag:

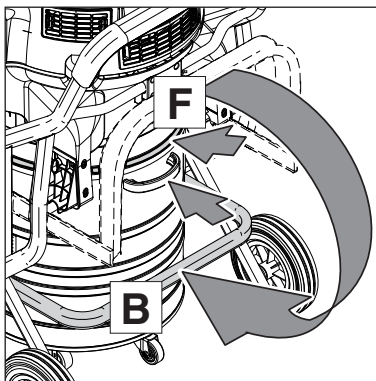
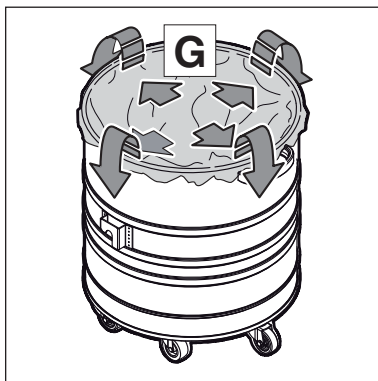
3. Swing the bar (B) upwards.
4. Use the handle (C) to pull the dirt tank out of the vacuum cleaner.
5. Close the disposal bag with string (D) and remove it from the dirt tank.

WARNING!

If heavy dirt has been picked up, never lift the dirt tank alone. Use the FORKLIFT (E), which is available as an accessory.



6. Use a crane or fork lift truck to position the FORKLIFT (E) above the dirt tank.
7. Attach the tank to the accessory.
8. Dispose of the dirt in accordance with legal regulations.

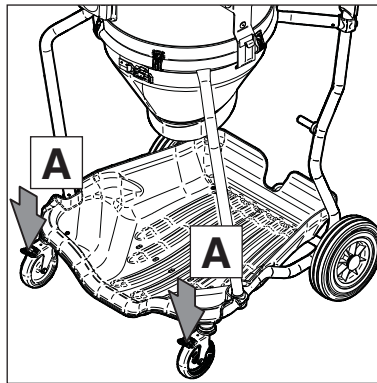


Inserting the disposal bag:

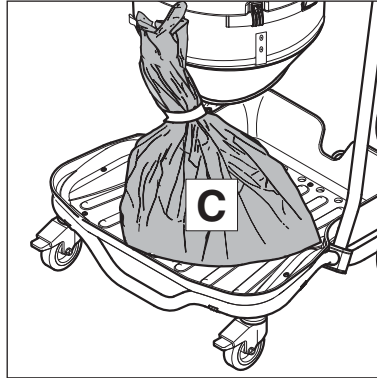
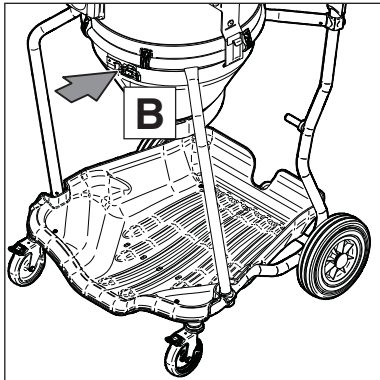
9. Clean the dirt tank.
10. Check the seals (F) between the tank and the upper section of the vacuum cleaner.
11. Insert the disposal bag (G) in the dirt tank.
12. Fold the top edge of the disposal bag over the rim of the dirt tank.
13. Push the dirt tank as far as possible into the vacuum cleaner.
14. Swing the bar (B) downwards without forcing it.

EN

7.2.5 Replacing the disposal bag (ATTIX 963-21 ED XC)

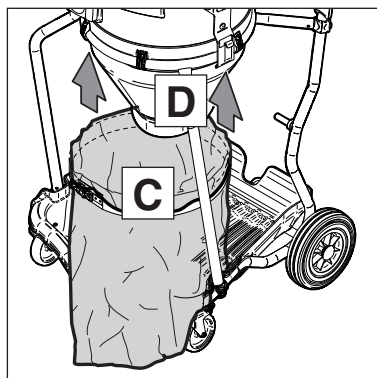
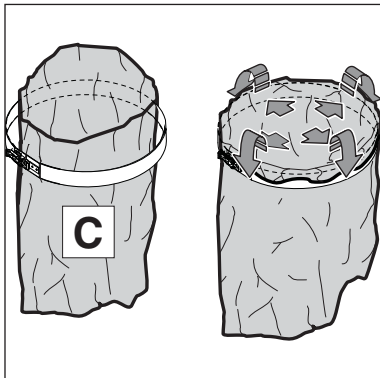


1. Switch off the vacuum cleaner and pull the mains plug out of the socket.
2. Apply parking brakes (A) on both castors.



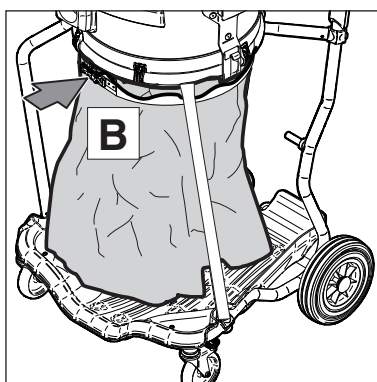
Remove the disposal bag:

3. Open clamping ring (B).
4. Detach the disposal bag (C) from the storage container and seal it.
5. Dispose of the dirt in accordance with legal regulations.



Inserting the disposal bag:

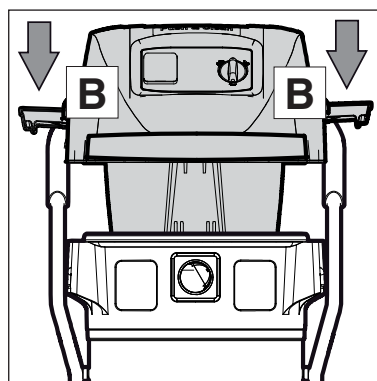
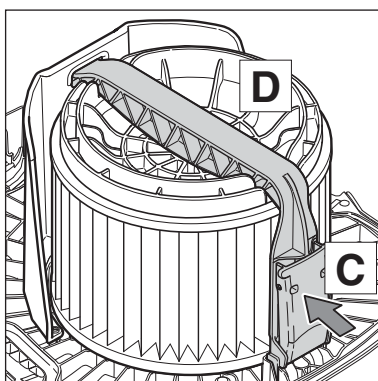
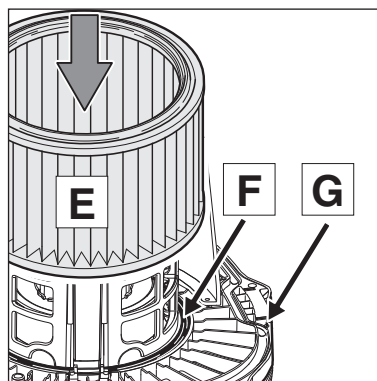
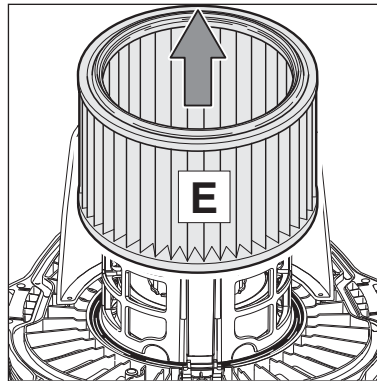
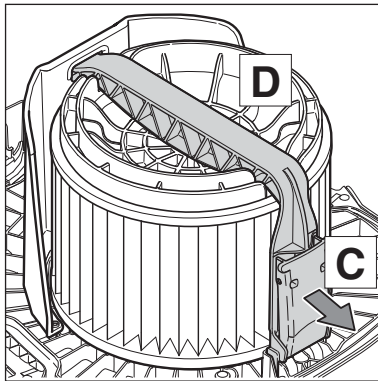
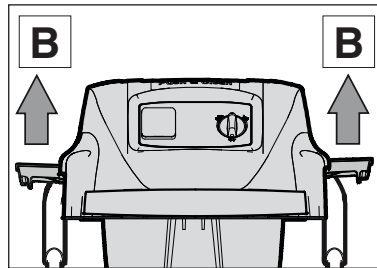
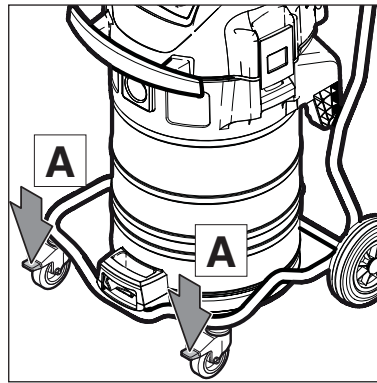
1. Insert disposal bag (C) into clamping ring.
2. Fold the top edge of the disposal bag over the rim of the clamping ring.
3. Attach the new disposal bag (C) onto the storage container (D).



4. Close clamping ring (B).

7.2.6 Replacing filter element

Never use the vacuum cleaner without a filter.



1. Switch off the vacuum cleaner and pull the mains plug out of the socket.
2. Apply parking brakes (A) on both castors.

EN

3. Open the retaining clamps (B) and remove the upper section of the vacuum cleaner.

Removing the filter element:

4. Lay the upper section of the cleaner down with the filter element facing upwards.
5. Open the bar handle (C) and remove it.
6. Remove the filter holder (D).
7. Carefully remove the filter element (E).
8. Dispose of the used filter element in accordance with legal regulations.

Inserting the filter element:

9. Clean the filter seal (F). Check it for damage and replace it if necessary.
10. Check the antistatic pin (G) for damage. If necessary, have it replaced by Alto Service.
11. Push new filter element (E) onto the filter holder.
12. Attach filter holder (D).
13. Attach bar (C) and close.
14. Attach the upper section of the vacuum cleaner.
15. Close the retaining clamps (B). Ensure that the retaining clamps fit properly.

EN 8 Troubleshooting

Fault	Cause	Remedy
‡ Motor does not start	<ul style="list-style-type: none"> > Fuse of the mains socket has blown. > Overload protection switch has tripped. > Motor is faulty. 	<ul style="list-style-type: none"> • Connect mains fuse. • Switch off the vacuum cleaner and allow it to cool for approx. 5 minutes. If the cleaner cannot be started again, contact the Alto service department. • Have motor changed by Nilfisk-Alto Service.
‡ Motor does not run in automatic mode ¹⁾	<ul style="list-style-type: none"> > Power tool/pneumatic tool is defective or not connected properly. > The power rating of the electrical tool is too low. 	<ul style="list-style-type: none"> • Check that the power tool works or that the plug is inserted correctly. • Note that minimum power rating is P>40W
‡ Reduced suction power	<ul style="list-style-type: none"> > Suction power selected with suction power control is too low. > Clogged suction hose/nozzle. > Tank, disposal bag or filter bag is full. > Filter element is clogged. > Seal between tank and upper section of vacuum cleaner is faulty or missing. > Cleaning mechanism is defective. 	<ul style="list-style-type: none"> • Set suction power in accordance with section „Setting suction power“. • Clean suction hose/nozzle • See "Emptying tank" or "Replacing disposal bag, filter bag" sections. • See section „Cleaning filter element“ and „Replacing filter element“. • Replace seal. • Contact Nilfisk-Alto Service.
‡ No suction power during wet cleaning (ATTIX 961-01)	<ul style="list-style-type: none"> > Tank is full. 	<ul style="list-style-type: none"> • Switch off the cleaner. Empty the tank.
‡ Voltage fluctuations	<ul style="list-style-type: none"> > Impedance of power supply is too high. 	<ul style="list-style-type: none"> • Connect the cleaner to another socket closer to the fuse box. Voltage fluctuations over 7% should not occur if the impedance at the transfer point is $\leq 0.15 \Omega$.



9 Further information

9.1 Recycling the vacuum cleaner



1. Make the old cleaner unusable immediately.
2. Unplug the cleaner and cut the power cord.
3. Do not discard of electrical appliances with household waste.

As specified in European Directive 2002/96/EC on old electrical and electronic appliances, used electrical goods must be collected separately and recycled ecologically.

Contact your local authorities or your nearest dealer for further information.

9.2 Guarantee

Our general conditions of business are applicable with regard to the guarantee.



Subject to change as a result of technical advances.

9.3 Tests and approvals

Electrical tests must be performed in accordance with the provisions of safety regulations (VBG4) and to DIN VDE 0701 Part 1 and Part 3. In accordance with DIN VDE 0702 these tests must be performed at regular intervals and after repairs or modifications.

The vacuum cleaner has been approved in accordance with IEC/EN 60335-2-69.

9.4 EC declaration of conformity

		EC declaration of conformity
NILFISK-ADVANCE A/S Sognevej 25 DK-2605 Brøndby		
Product:	Vacuum cleaner for wet and dry operation	
Model:	ATTIX 961-01 ATTIX 963-21 ED XC ATTIX 965-21 SD XC	
Description:	110 V / 230 V~, 50 Hz	
The design of the appliance corresponds to the following pertinent regulations:	Low Voltage Directive 2006/95/EC Machine directive 2006/42/EC Directive EMC 2004/108/EC	
Applied harmonized standards:	EN ISO 12100-1, EN ISO 12100-2 EN 60335-1, EN 60335-2-69, EN 55014-1, EN 55014-2, EN 61000-3-2	
Applied national standards and technical specifications:	EN 60335-2-69 (2009)	
 Anton Sørensen General Manager EAPC Technical Operations		Brøndby, 01.06.2007



9.5 Technical data

ATTIX 9				
		961-01	965-21 SD XC	963-21 ED XC
Voltage	V	230 (EU,CH,GB) 110 (GB)	230 (DK,EU) 240 (AU)	230 (DK,EU) 110 (GB)
Mains frequency	Hz	50/60		
Fuse	A	10 (CH) 13 (GB 230V) 16 (EU) 32 (GB 110 V)	10 (DK, AU) 16 (EU)	10 (DK) 16 (EU) 32 (GB 110 V)
Power consumption _{IEC}	W	2x1200 (EU,GB) 2x1000(CH, GB 110V)	2x1200 (EU) 2x1000(DK, AU)	2x1200 (EU) 2x1000(DK,GB)
Connected load for appliance socket	W		1200 (EU) 300 (DK) 400 (AU)	1200 (EU) 300 (DK) 750 (GB)
Total connected load	W	2400 (EU,GB) 2000 (CH, GB 110V)	3600 (EU) 2300 (DK) 2400 (AU)	3600 (EU) 2300 (DK) 2750 (GB)
Air flow rate	m ³ /h l/min	2x216 (EU,GB) / 2x174 (CH, GB 110V) 2x3600 (EU,GB) / 2x2900 (CH, GB 110V)	2x216 (EU) / 2x174 (DK, AU) 2x3600 (EU) / 2x2900 (DK, AU)	2x216 (EU) / 2x174 (DK, GB) 2x3600 (EU) / 2x2900 (DK, GB)
Vacuum	hPa/mbar kPa	230 (EU, GB) / 210 (DK, CH GB 110V) 23 (EU,GB) / 21 (DK, CH GB 110V, AU)		
Sound pressure level at a distance of 1 m, EN 60704-1	dB(A)	70 ± 2		
Working sound pressure level	dB(A)	67 ± 2		
Power cord: Length	m	10 (EU, CH, GB, DK) 7,5 (AU)		
Power cord: Type		H07RN-F3G1,0 mm ² (CH,DK) H07RN-F3G1,5 mm ² (EU, GB 230 V) H07BQ-F3G2,5 mm ² (GB 110 V) H05RR-F3G1,5mm ² (AU)		
Protection class		I		
Type of protection (splash water protected)		IP X4		
Radio interference level		EN 55014-1		
Tank volume	l	70	50	30
Width	mm	610	640	620
Depth	mm	645	725	605
Height	mm	985	1020	1200
Weight	kg	36	42	30

9.6 Optional accessories

Description	Order No.
Filter bag (5 pcs.) ATTIX 961-01	302002892
Disposal bag (5 pcs.) ATTIX 965-21 SD XC	302001480
Disposal bag (24 pcs.) ATTIX 963-21 ED XC	302003723
Filter element	107400562
Cloth insert filter ATTIX 961-01, ATTIX 965-21 SD XC	302002894
Alto-Foam-Stop (6 x 1 l) ATTIX 961-01, ATTIX 965-21 SD XC	8469

Nilfisk ALTO

Why Compromise

<http://www.nilfisk-alto.com>

HEAD QUARTER

DENMARK

Nilfisk-Advance Group
Sognevej 25
DK-2605 Brøndby
Tel.: (+45) 4323 8100
E-mail: mail.com@nilfisk-advance.com

SALES COMPANIES

ARGENTINA

Nilfisk-Advance srl.
Edificio Central Park
Herrera 1855, Office 604
Ciudad Autónoma de Buenos Aires
Tel.: (+54) 11 6091 1571

AUSTRALIA

Nilfisk-ALTO
48 Egerton St.
PO Box 6046
Silverwater NSW 2128
Tel.: (+61) 2 8748 5966
E-mail: info@nilfiskalto.com.au

AUSTRIA

Nilfisk-ALTO
Metzgerstr. 68
A-5101 Bergheim/Salzburg
Tel.: 0662 456 400-90
E-mail: info.at@nilfisk-alto.com
Web: www.nilfisk-alto.at

BELGIUM/LUXEMBURG

Nilfisk-ALTO
Division of Nilfisk-Advance n.v.-s.a.
Riverside Business Park
Boulevard Internationalelaan 55
Bâtiment C3/C4 Gebouw
Bruxelles 1070 Brussel
Tel.: (+32) 2 467 60 40
E-mail: info.be@nilfisk-alto.com
Web: www.nilfisk-alto.be
www.fr.nilfisk-alto.be

CANADA

Clarke Canada
Part of the Nilfisk-Advance Group
4080-B Sladeview Crescent, Unit 1
Mississauga, Ontario L5L 5Y5
Tel.: (+1) 905 569 0266
Web: www.clarkeus.com

CHILE

Nilfisk-Advance S.A.
San Alfonso 1462, Santiago
Tel.: (+56) 2 684 50 00
E-mail: Pablo.noriega@nilfisk.com
Web: <http://www.nilfisk.com/>

CHINA

Nilfisk-Advance Cleaning Equipment (Shenzhen)
Co., Ltd.
Room 2515, Building C
Huangdu Square 3008 Yitian Road
Futian District, Postcode: 518048
518038 Shenzhen
Tel.: (+86) 755 8359 7942

CZECH REPUBLIC

Nilfisk-Advance s.r.o.
Do Čertous 2658/1
193 00 Praha 9
Tel.: (+420) 241 408 419
E-mail: info@alto-cz.com
Web: <http://www.nilfisk-alto.cz>

DENMARK

Nilfisk-ALTO
- en division af Nilfisk-Advance A/S
Industrivej 1
9560 Hadsund
Tel.: 72 18 21 20
E-mail: Salg.dk@nilfisk-alto.com
Web: <http://www.nilfisk-alto.dk>

FINLAND

Nilfisk-ALTO
Koskelontie 23 E
02920 Espoo
Tel.: (+358) 207 890 605
E-mail: asiakaspalvelu.fi@nilfisk-advance.com
Web: www.nilfisk-alto.fi

FRANCE

ALTO France SAS
26 Avenue de la Baltique, BP 246
91944 COURTABOEUF CEDEX
Tel.: Commercial : 0 825 869 300 - SAV : 0 825
099 585 - Pôle tech : 0 825 802 615
E-mail: info.fr@nilfisk-alto.com
Web: www.alto-fr.com

GERMANY

Nilfisk-ALTO
Division of Nilfisk-Advance AG
Guido Oberdorfer Str. 10
89287 Bellenberg
Tel.: 0180 537 3737
E-mail: info.de@nilfisk-alto.com
Web: www.nilfisk-alto.de

GREECE

Nilfisk-ALTO
8 Thoukididou Str.
164 52 Argiroupolis
Tel.: 210 96 33443
E-mail: nilfisk-advance@clean.gr
Web: www.nilfisk.gr/

HOLLAND

Nilfisk-ALTO
Division of Nilfisk-Advance BV
Versterkerstraat 5
1322 AN Almere
Tel.: (+31) 36 5460 760
E-mail: info.nl@nilfisk-alto.com
Web: www.nilfisk-alto.nl

HONG KONG

Nilfisk-ALTO
2001 HK Worsted Mills Ind'l Bldg.
31-39 Wo Tong Tsui St.
Kwai Chung
Tel.: (+852) 2427 5951

HUNGARY

Nilfisk-ALTO
2310 Szigetszentmiklos-Lakihegy
II. Rákóczi Ferenc út 10.
Tel.: 24 47 55 50
E-mail: info@nilfisk-advance.com

INDIA

Nilfisk-Advance India Limited
349, Business Point,
No 201,2nd floor, above Popular Car World,
Western Express High way, Andheri (East),
Mumbai - 400 069
Tel.: (+91) 22 321 74592

IRELAND

Nilfisk-ALTO
Division of Nilfisk-Advance Ltd.
Bowerbank Way, Gilwilly Industrial Estate
Penrith, Cumbria CA11 9BQ
Tel.: 01768 868 995
E-mail: sales.ie@nilfisk-alto.com
Web: <http://www.nilfisk-alto.ie>

ITALY

Nilfisk-ALTO
Strada comunale della Braglia, 18
I-26862 Guardamiglio (LO)
Tel.: 0377 41 4077
Web: www.nilfisk-alto.com/

JAPAN

Nilfisk-ALTO
1-6-6 Kita-shinyokohama, Kouhoku-ku
Yokohama, 223-0059
Tel.: (+81) 45 548 2571

MALAYSIA

Nilfisk-Advance Sdn Bhd
Sd 14, Jalan KIP 11
Taman Perindustrian KIP
Sri Damansara
52200 Kuala Lumpur
Tel.: (+60) 3 603 6275 3120
E-mail: sales@nilfisk-advance.com.my

MEXICO

Nilfisk-Advance de Mexico, S. de R.L. de C.V.
Prol. Paseo de la Reforma 61,
6-A2 Col. Paseo de las Lomas
01330 Mexico, D.F.
Tel.: (+52) 55 2591 1002 (switchboard)
E-mail: info@advance-mx.com
Web: www.nilfisk-advance.com.mx

NORWAY

Nilfisk-ALTO
Bjørnerudveien 24
1266 Oslo
Tel.: (+47) 22 75 17 71
E-mail: info.no@nilfisk-alto.com
Web: www.nilfisk-alto.no

POLAND

Nilfisk-ALTO
05-800 Pruszkow
ul. 3-go MAJA 8
Tel.: (+48) 22 738 37 50
E-mail: info@nilfisk-alto.pl
Web: www.nilfisk-alto.pl

PORTUGAL

Nilfisk-ALTO
Division of Nilfisk-Advance Lda.
Sintra Business Park
Zona Industrial Da Abrunheira
Edificio 1,1° A
P-2710-089 Sintra
Tel.: (+35) 808 200 537
E-mail: mkt@nilfisk-advance.es
Web: www.nilfisk-alto.com

RUSSIA

Нилфиск-Эдванс
127015 Москва
Вятская ул. 27, стр. 7
Tel.: (+7) 495 783 96 02
E-mail: info@nilfisk.ru
Web: www.nilfisk.ru

SINGAPORE

Nilfisk-ALTO
22 Tuas Ave 2
Singapore 639453
Tel.: (+65) 6759 9100
E-mail: sales@nilfisk-advance.com.sg
Web: www.nilfisk-advance.com.sg

SPAIN

Nilfisk-ALTO
Division of Nilfisk-Advance S.A.
Torre D'Ara, Paseo del Rengle, 5 Pl. 10
08302 Mataró Barcelona
Tel.: (+34) 902 200 201
E-mail: mkt.es@nilfisk-alto.com
Web: www.nilfisk-alto.es

SWEDEN

Nilfisk-ALTO
Member of the Nilfisk-Advance Group
Aminogatan 18, Box 4029
431 04 Mölndal
Tel.: (+46) 31 706 73 00
E-mail: info.se@nilfisk-alto.com
Web: www.nilfisk-alto.se

TAIWAN

Nilfisk-ALTO
No.5, Wan Fang Road
Taipei
Tel.: (+886) 227 002 268

THAILAND

Nilfisk-ALTO
89 Soi Chokechai-Ruammitr
Viphavadee-Rangsit Road
Ladyao, Jatuchak, Bangkok 10900
Tel.: (+66) 2275 5630

TURKEY

Nilfisk-Advance Profesyonel Temizlik
Ekipmanları Tic. A/Ş.
Necla Cad. No.: 48,
Yenisahra / Kadıköy
Istanbul
Tel.: (+90) 216 470 08 – 60
E-mail: info-tr@nilfisk-alto.com
Web: <http://www.nilfisk-alto.com.tr>

UNITED KINGDOM

Nilfisk-ALTO
Division of Nilfisk-Advance Ltd.
Bowerbank Way, Gilwilly Industrial Estate
Penrith, Cumbria CA11 9BQ
Tel.: 01768 868 995
E-mail: sales.uk@nilfisk-alto.com
Web: www.nilfisk-alto.co.uk

USA

Nilfisk-Advance Inc.
14600 21.st Avenue North
Plymouth, MN 55447-3408
Tel.: (+1) 763 745 3500
E-mail: info@advance-us.com
Web: www.advance-us.com

VIETNAM

Nilfisk-Advance Representative Office
No. 51 Doc Ngu Str.
Ba Dinh Dist.
Hanoi
Tel.: (+84) 4 761 5642 / (+84) 90426 6368
E-mail: nilfisk@vnn.vn
Web: www.nilfisk-advance.com/