

## Red Dot Lasermodule

DI650-1-3(8x21)

Order Number: 70100594

Main Parameters (*)	min	typ	max	Unit
Wavelength		650		nm
Optical Output Power		1		mW
Operating Voltage	2.7	3	3.3	V DC
Operating Current		30		mA
Operating Temperature	-20		50	°C
Storage Temperature	-40		80	°C

### Optical Parameters

Beam Shape	Dot
Laser Class	2
Divergence	1.5mrad
Beam Diameter	2mm
Size of Laserdot	<3..5mm@5m
Operating Distance	10m
Optics	glass lens AR coated
Laser technology	Diode
Focus	fixed (5000mm)

### Technical Parameters

Lifetime	>10000h
RoHS	yes

### Electrical Parameters

Potential of Housing	isolated
----------------------	----------

### Mechanical Parameters

Size	Ø8x21mm
Material	Aluminium
Cable length	100mm
Output Aperture	2mm
Weight	3g

(\*) Over the complete operating temperature

### Features





- Operating Voltage 3V DC
- Compact size
- Laser Class 2
- Image processing
- Fixed focus

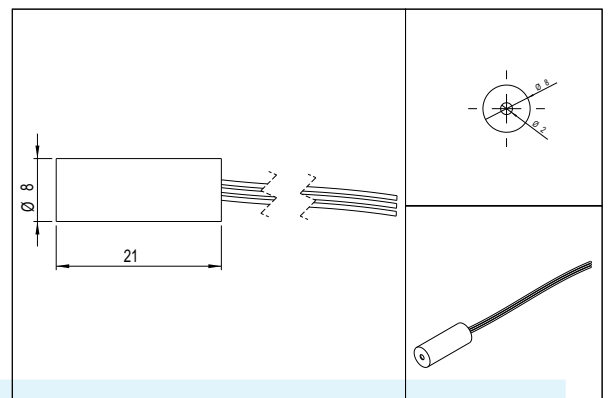
### Picture



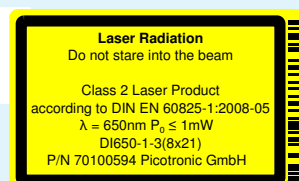
### Cable Colors

Ground		blue	GND
Positive		red	2.7 - 3.3, typ 3V DC

### Drawing



### Safety Label



### Revision

REV 15