

Red Line Lasermodule

LH650-16-3(12x38)-PL
Order Number: 70109559

Main Parameters (*)	min	typ	max	Unit
Wavelength		650		nm
Optical Output Power		16		mW
Operating Voltage	2.7	3	3.3	V DC
Operating Current		60		mA
Operating Temperature	-20		50	°C
Storage Temperature	-40		80	°C

Optical Parameters

Beam Shape	Line
Laser Class	2
Divergence	1mrad
Fan Angle	90°
Line Thickness	<2mm@3m
Operating Distance	5m
Optics	glass lens AR coated
Laser technology	Diode
Protection Lens	yes
Focus	fixed (3000mm)

Technical Parameters

Lifetime	>5000h
RoHS	yes

Electrical Parameters

Potential of Housing	isolated
Power Supply	LFNT-3

Mechanical Parameters

Size	Ø12x38mm
Material	Aluminium
Cable length	100mm
Wire type	26AWG, 0,14mm ²
Output Aperture	5.5mm
Weight	18g

(*) Over the complete operating temperature

Features





- High Power
- Protection lens
- Laser Class 2
- Operating Voltage 3V DC
- Fixed focus

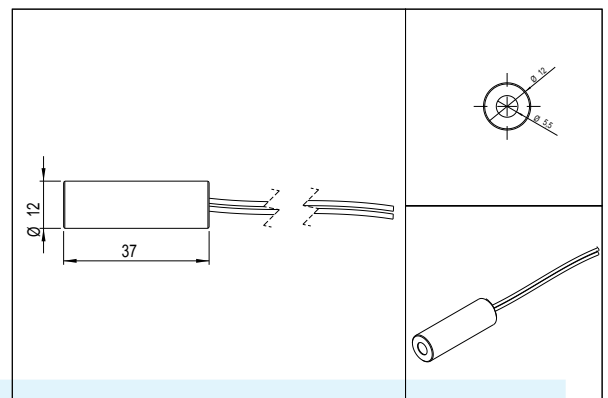
Picture



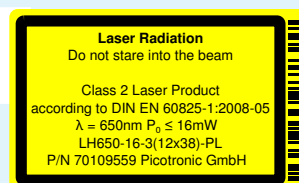
Cable Colors

Ground		black	GND
Positive		red	2.7 - 3.3, typ 3V DC

Drawing



Safety Label



Revision

REV 1