

Red Line Lasermodule

LFL650-5-4.5(15x68)90-F250

Order Number: 70107425

Main Parameters (*)	min	typ	max	Unit
Wavelength		650		nm
Optical Diode Power		5		mW
Operating Voltage	2.8	3	4.5	V DC
Operating Current		20		mA
Operating Temperature	-20		40	°C
Storage Temperature	-40		80	°C

Optical Parameters

Beam Shape	Line
Laser Class	1
Divergence	1mrad
Fan Angle	90°
Line Thickness	<1mm@0.25m
Operating Distance	0.25m
Optics	acrylic lens
Laser technology	Diode
Focus	fixed (250mm)

Technical Parameters

Lifetime	>3000h
RoHS	yes

Electrical Parameters

Potential of Housing	VDD(+)
Battery	2 x LR44

Mechanical Parameters

Size	Ø15x68mm
Material	Aluminium
Output Aperture	6mm
Weight	25g

(*) Over the complete operating temperature

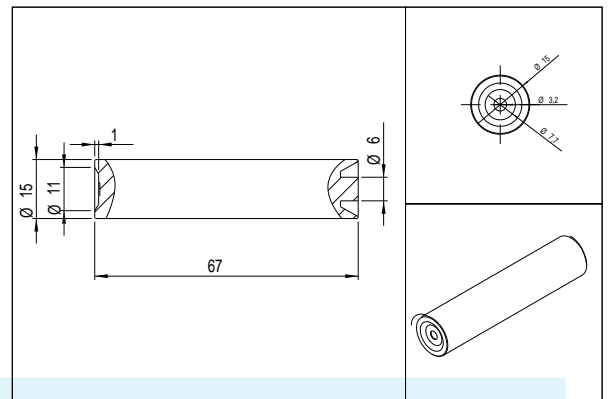
Features

- Uniform illumination
- Compact size
- Low cost
- Fixed focus
- With battery

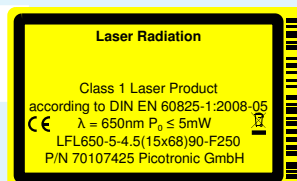
Picture



Drawing



Safety Label



Revision

REV 8

Laserfuchs is a registered trademark of the Picotronic GmbH

Picotronic GmbH Geschäftsführende **FON +49(0)261-983 497-50**
 Rudolf-Diesel-Str. 2a Geschäftsführer: **FAX +49(0)261-983 497-55**
 56070 Koblenz David Heckner **FON +49(0)261-983 497-0**
 Picotronic GmbH Geschäftsführer: **www.laserfuchs.de**
 Rudolf-Diesel-Str. 2a Thiemo Komischke **FAX +49(0)261-983 497-10**
 Germany David Heckner **www.laserfuchs.de**
 56070 Koblenz Thiemo Komischke **www.picotronic.de**
 Germany Thiemo Komischke **info@picotronic.de**

Sparkasse Koblenz **BLZ 570 501 20, KTO 211 003**
 Sparkasse Koblenz **BLZ 570 501 20, KTO 211 003**
 Sparkasse Koblenz **BIC / IBAN : MALADE51KOB**
 Sparkasse Koblenz **DE41 5705 0120 0000 2110 03**
 Sparkasse Koblenz **BIC / IBAN : MALADE51KOB**
 Sparkasse Koblenz **DE41 5705 0120 0000 2110 03**

Postbank Stuttgart **BLZ 600 100 70, KTO 770 787 04**
 Postbank Stuttgart **BIC / IBAN : PBNKDE33**
 Postbank Stuttgart **DE21 6001 0070 0077 0787 04**
 Postbank Stuttgart **BIC / IBAN : PBNKDEFF**
 Postbank Stuttgart **DE41 6001 0070 0077 0787 04**

Steuernummer: 22/651/0291/4
 Ust-Idnr. DE814473445
 Steuernummer: 22/651/0291/4
 Amtsgericht Koblenz HRB 20026
 Ust-Idnr. DE814473445
 WEEE-Reg.-Nr. DE85231360
 Amtsgericht Koblenz HRB 20026
 WEEE-Reg.-Nr. DE85231360