

Red Line Lasermodule

LFL650-5-4.5(15x68)60
Order Number: 70105032

Main Parameters (*)	min	typ	max	Unit
Wavelength		650		nm
Optical Diode Power		5		mW
Operating Voltage	3	4.5	4.5	V DC
Operating Current		20		mA
Operating Temperature	-20		40	°C
Storage Temperature	-40		80	°C

Optical Parameters

Beam Shape	Line
Laser Class	1
Divergence	1mrad
Fan Angle	60°
Line Thickness	<1.2mm@1m
Operating Distance	1m
Optics	acrylic lens
Laser technology	Diode
Focus	fixed (1000mm)

Technical Parameters

Lifetime	>3000h
RoHS	yes

Electrical Parameters

Potential of Housing	VDD(+)
Battery	2 x LR44

Mechanical Parameters

Size	Ø15x68mm
Material	Aluminium
Output Aperture	6mm
Weight	25g

(*) Over the complete operating temperature

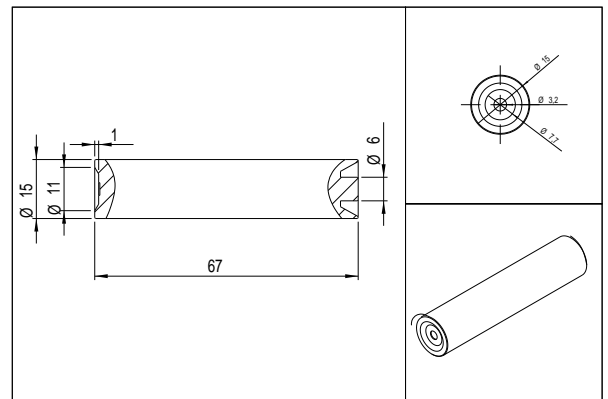
Features

- Laser Class 1
- With battery
- Compact size
- Low cost
- Uniform line thickness

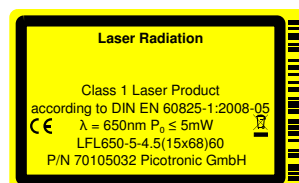
Picture



Drawing



Safety Label



Revision

REV 1

Laserfuchs is a registered trademark of the Picotronic GmbH

Picotronic GmbH	Geschäftsführende	FON +49(0)261-983 497-50	Sparkasse Koblenz	Postbank Stuttgart	Steuernummer: 22/651/0291/4
Rudolf-Diesel-Str. 2a	Gesellschafter:	FAX +49(0)261-983 497-55	BLZ 570 501 20, KTO 211 003	BLZ 600 100 70, KTO 770 787 04	Ust-Idnr. DE814473445
56070 Koblenz	David Heckner,	www.laserfuchs.de	BIC / IBAN : MALADE51KOB	BIC / IBAN : PBNKDEFF	Amtsgericht Koblenz HRB 20026
Germany	Thiemo Komischke	info@laserfuchs.de	DE41 5705 0120 0000 2110 03	DE41 6001 0070 0077 0787 04	WEEE-Reg.-Nr. DE85231360