

Red Line Lasermodule

LE650-16-3-F-S(22x100)90

Order Number: 70110166

Main Parameters (*)	min	typ	max	Unit
Wavelength		650		nm
Optical Output Power		16		mW
Operating Voltage	2.7	3	3.3	V DC
Operating Current	35	70	105	mA
Operating Temperature	-20		50	°C
Storage Temperature	-40		80	°C

Optical Parameters

Beam Shape	Line
Laser Class	2
Divergence	0.6mrad
Fan Angle	90°
Line Thickness	adjustable
Operating Distance	5m
Optics	glass lens AR coated
Laser technology	Diode
Focus	adjustable

Technical Parameters

Lifetime	>10000h
RoHS	yes

Electrical Parameters

Potential of Housing	VDD(+)
Battery	CR123A

Mechanical Parameters

Size	Ø22x100mm
Material	Aluminium
Output Aperture	4.5mm
Weight	81g

(*) Over the complete operating temperature

Features

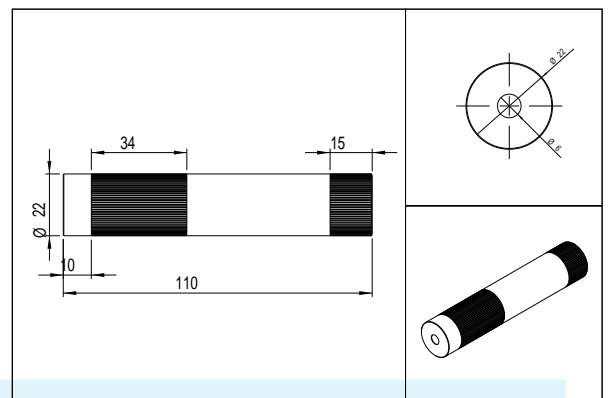


- Compact size
- Image processing
- Laser Class 2
- Glas lenses anti reflex coated
- With battery

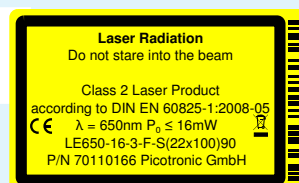
Picture



Drawing



Safety Label



Revision

REV 8