

## Red Line Lasermodule

LE650-5-3-F-S(22x100)90

Order Number: 70109634

Main Parameters (*)	min	typ	max	Unit
Wavelength		650		nm
Optical Output Power		5		mW
Operating Voltage	2.7	3	3.3	V DC
Operating Current	15	30	45	mA
Operating Temperature	-20		50	°C
Storage Temperature	-40		80	°C

### Optical Parameters

Beam Shape	Line
Laser Class	1
Divergence	0.6mrad
Fan Angle	90°
Line Thickness	adjustable
Operating Distance	3m
Optics	glass lens AR coated
Laser technology	Diode
Focus	adjustable

### Technical Parameters

Lifetime	>10000h
RoHS	yes

### Electrical Parameters

Potential of Housing	VDD(+)
Battery	CR123A

### Mechanical Parameters

Size	Ø22x100mm
Material	Aluminium
Output Aperture	4.5mm
Weight	77.7g

(\*) Over the complete operating temperature

### Features

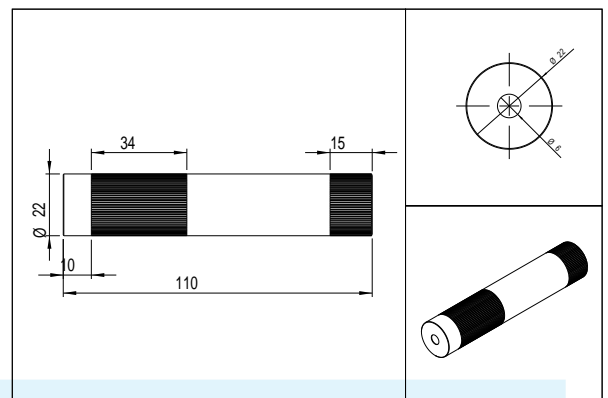


- Operating Voltage 3V DC
- Laser Class 1
- Adjustable focus
- Low power consumption
- With battery

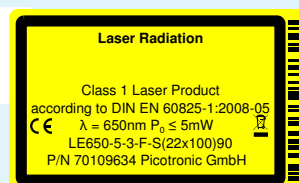
### Picture



### Drawing



### Safety Label



### Revision

REV 8