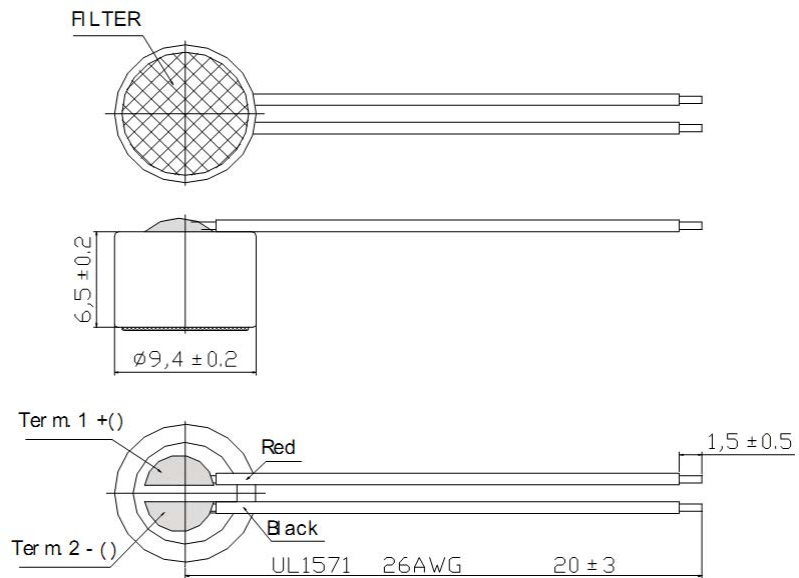


Product Description

Version 11/13

Best No.: 818276

File No.: H21205C10



1. Model No	KPCM-94H65L-40DB-1689
2. Standard Operation Voltage	4.5VDC
3. Output impedance	2.2K Ω (f=1KHz, 1Pa)
4. Sensitivity	-40 \pm 3dB(0dB=1V/Pa, 1KHz)
5. Max operating voltage	10VDC
6. Sensitivity reduction	-3dB(f=1KHz, 1Pa Vs=1.5-1VDC)
7. Frequency	100-10,000 Hz
Max. Current Consumption	0.5mA(Vs=1.5V, RL=0.68K Ω)
Signal to noise ration	60dBA(f=1KHz, 1Pa A weighted)
8. Operating Temperature	-20-70 $^{\circ}$ C
9. Storage Temperature	-20-70 $^{\circ}$ C
10. Weight	\leq 1 g
11. Material	AL

This data sheet is a publication by Conrad Electronic SE, Klaus-Conrad-Str. 1, D-92240 Hirschau (www.conrad.com). All rights including translation reserved. Reproduction by any method, e.g. photocopy, microfilming, or the capture in electronic data processing systems require the prior written approval by the editor. Reprinting, also in part, is prohibited. This data represent the technical status at the time of printing. Changes in technology and equipment reserved.

© Copyright 2013 by Conrad Electronic SE.