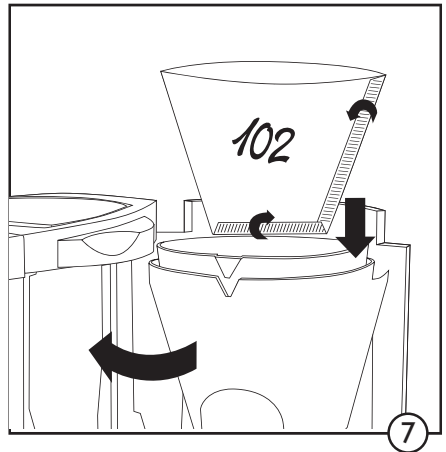
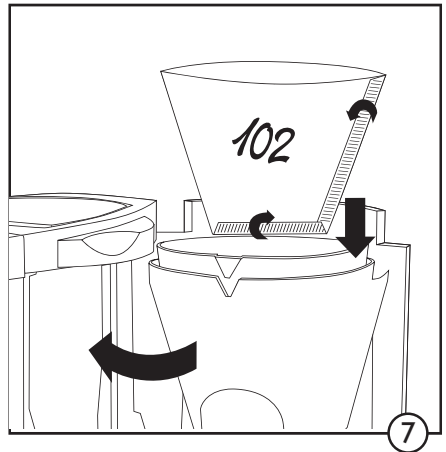
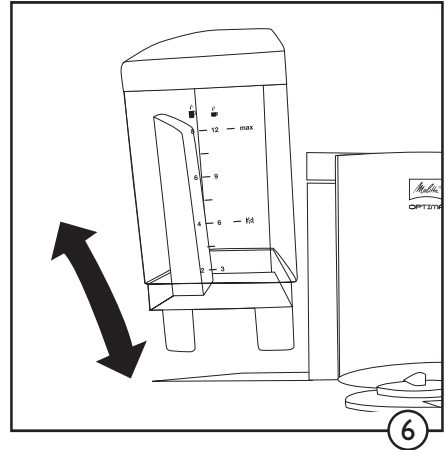
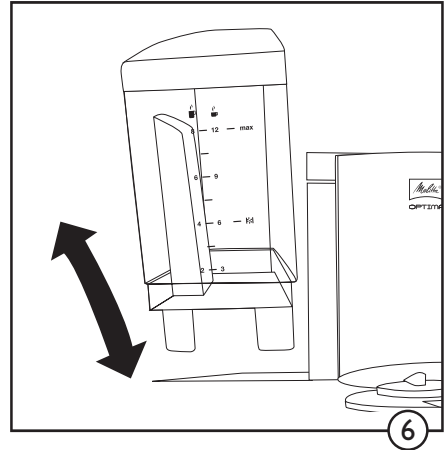
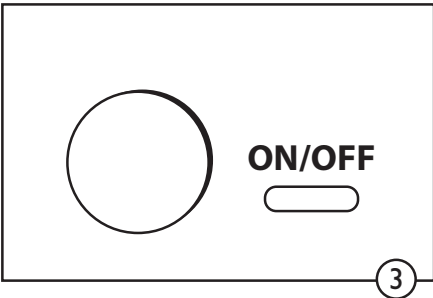
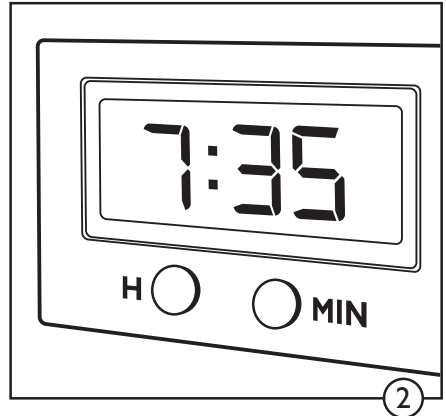
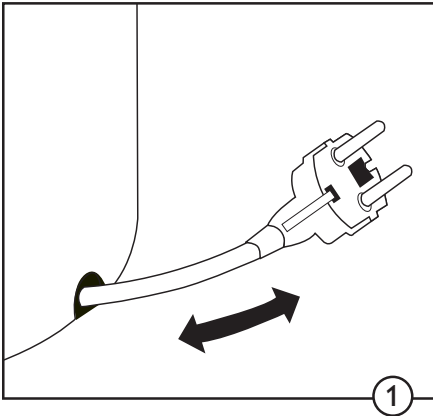




**OPTIMA
TIMER**



GB Operating Instructions



Read operating and safety instructions carefully!

Safety instructions

- Make sure that energy supply in your household corresponds with the information on the type label (see bottom of the appliance).
- Some parts (e.g. the warming plate) become hot while operating. Do not touch these parts.
- Never place the appliance on or beside hot surfaces.
- Keep the appliance out of the reach of children.
- Make sure that the cord never comes into contact with the hot warming plate.
- Pull the plug out of the socket before cleaning or in case of absence for a longer time. Clock and Timer have to be re-programmed afterwards.
- Never immerse the appliance in water.
- The glass jug is not microwave safe.
- Do not fill in hot water. Only fresh, cold water should be used.
- Do not open the filter during the brewing process.
- Do not remove the watertank during the brewing process.
- This appliance is not designed to be used by persons (incl. children) with restricted physical, sensory or mental capabilities or with lack of experience or/and knowledge unless they are supervised by a person who is responsible for their safety or received instructions from this person in how to use the appliance.
- This appliance is designed to be used in households and similar applications as e.g. in kitchens for staff in shops, offices and other commercial fields, in agricultural properties, by clients in hotels, motels and other residence facilities and in breakfast guesthouses.
- The replacement of the cord and all other repairs must be carried out by authorized Melitta Customer Centres only or by persons of similar qualification.

Before preparing the first cup of coffee

- Connect appliance to socket. Cord can be lengthened or shortened by using the cable storage (①)
- The display (LCD) is illuminated and flashes.
- Set the time by using the buttons „H“ and „MIN“ (②). A quick run is possible by pressing the buttons constantly.
- To save energy, the LCD-light switches off 2 seconds after last use of one of the buttons. If you want to have a constant lighting of the display press the buttons „H“ and „MIN“ together for longer than 1 second. Switching off the light can be done the same way.

- For cleaning the appliance before first use, fill the watertank with clear, cold water. Press button “ON/OFF” (③) to start the cleaning process. Switch off the appliance with “ON/OFF” button after the end of the brewing process. Repeat this once.

Adjusting the water hardness

To maintain value and function of the appliance it has an integrated descaling programme. The appliance can be programmed with 4 degrees of water hardness. It is set to high water hardness in factory. We recommend an individual adjustment based on your local degree of hardness. You can ask your local water supplier or use a special control strip for determining. To adjust degree of hardness press button „CALC“ (④) and keep it pressed. The display shows the factory provided presetting. For adjustment press button „MIN“ as long as the display shows your desired degree of hardness. 2 seconds after releasing the “CALC” button, the display shows the time again. Your chosen water hardness is programmed. Last adjustment maintains even when the appliance will be disconnected from socket.

Coffee preparation

To maintain the best aroma of your coffee keep the coffee packaging always closed and store it in a refrigerator. We recommend to use 6g ground coffee per cup for best taste. To secure an optimal brewing result fold the filterbag 102® as described on the packaging.

- Fill the removable water tank (⑥) with fresh, cold water. The needed amount of water based on cups to prepare can be read off the cup scale on the water tank.
- Insert the water tank again.
- Swivel out the filter (⑦). Place a filterbag into the filtercone and fill in your desired quantity of ground coffee into the filterbag. Swivel filter back until it snaps in.
- Press „ON/OFF“ button (③). The green LED is illuminated and the brewing process starts.
- After end of brewing you can remove the jug from the appliance. The drip stop avoids dripping.
- Let the appliance cool down for 5 minutes between 2 brewing cycles.

Timer function

The appliance is equipped with a timer function. With this function, the brewing process can be started automatically at a pre-programmed time.

- Press the button „TIMER“ (⑤) and keep it pressed. When programming first time 00:00 is flashing in the display.

- Set the desired starting time by using the buttons „H“ and „MIN“ (Ⓜ). A quick run is possible by pressing the buttons constantly.
- After releasing the button „TIMER“, the current time appears again after 2 seconds. The chosen starting time for brewing process is programmed. It remains until a new starting time will be programmed or when the appliance disconnected from socket.
- By pressing the “TIMER” button again shortly, the function is activated for the next brewing cycle. Blue LED light shows activation and the programmed starting time is visible in the display for a few seconds.
- The timer-function can be de-activated by a further press on the “TIMER” button. The blue LED light expires.
- The brewing process can be started independently from timer-function by pressing the “ON/OFF” button.

Adjustable warmkeeping time

Longterm warmkeeping of the coffee on the warming-plate leads to loss of taste. Therefore we recommend a warmkeeping time for not longer than 30 minutes. This time is presetted for securing an optimal coffee quality and also to avoid unneeded energy consumption. If you want to keep your coffee warm for a longer time, you can set the time in 4 steps until appliance switches off automatically.

- For setting the warmkeeping time keep the “ON/OFF” button pressed. 0:30 appears in the display.
- Set the needed warmkeeping time by pressing the “MIN” button in 30 minutes steps (up to 2 hours max.)
- After releasing the “ON/OFF” button, the current time appears again after 2 seconds. Last setting maintains even when the appliance will be disconnected from socket.

Descaling programme

To secure a proper function of the appliance, it has to be descaled regularly. We recommend to use Swirl® Oxy-Power or Swirl® Citrus-Clean. To simplify this necessary process, the appliance is equipped with a descaling programme.

- Once the number of brewing cycles, based on the individual adjustment of water hardness, is reached, the red LED (Ⓞ) lights up permanently. This shows that descaling should be done shortterm.
- To start descaling, fill the watertank with descaling agent according to the information on its packaging.
- Press “CALC” button (Ⓞ). The red LED flashes.
- The descaling process takes 25 minutes. The remain-

ing time is shown in the display.

- The red LED expires after the descaling process has finished. The appliance switches off automatically and display shows the current time again.
- Clean the appliance after descaling by 2 brewing cycles with clear water without coffee to remove descaler residues.

Cleaning and maintenance

- Remove cord from socket before you clean the appliance.
- Never immerse the appliance or cord in water.
- Clean the surface with a soft, damp cloth.
- Clean the parts which are in contact with coffee after each use. Filter cone and glass jug are dishwasher safe.
- Water tank can be cleaned under running water. Do not use harsh and abrasive brushes.

Hints for disposal

- Please inform yourself about disposal rules for electrical appliances at your dealer or community.
- Packaging materials are resources and therefore reusable. Please give it back to the renewable resource cycle.



GB Guarantee

Terms of guarantee

In addition to the legal guarantee claims, to which the end user is entitled relative to the seller, for this device, if it was purchased from a dealer authorized by Melitta® due to his consulting competence, we grant a manufacturer's guarantee under the following conditions:

1. The guarantee period begins with the day the product was sold to the end user. The guarantee is 24 months. The purchase date of the device must be verified by a purchase receipt.
The device was designed and built for household use only. It is not dedicated for a commercial use.
Guarantee performances lead neither to an extension of the guarantee period nor to a new beginning of the guarantee period for the device or installed spare parts.
2. Within the guarantee period we will correct all device defects that are based on material or manufacturing errors, through repair or replacement of the device at our discretion. Replace parts become the property of Melitta®.
3. Defects that occurred due to improper connection, improper handling or repair attempts by non-authorized persons are not covered by the guarantee. The same applies for failure to comply with the use, care, and maintenance instructions as well for the use of consumables (e.g. cleaning and decalcifying agents or waterfilters) that do not correspond to the original specifications. Wear parts (e.g. seals and valves) and fragile parts like glass are excluded from the guarantee.
4. Guarantee performances are processed via the Service Hotlines for the respective country (see information below).
5. These guarantee conditions apply for devices purchased and used in UK. If devices are purchased in foreign countries or brought into foreign countries, then guarantee performances will only be provided as specified in the guarantee conditions applicable for this country.

Melitta Haushaltsprodukte GmbH & Co. KG
Ringstraße 99
D-32427 Minden
Germany

