

MFQ35..



**BOSCH**

**en** Operating instructions

***Congratulations on the purchase of your new BOSCH appliance. In doing so, you have opted for a modern, high-quality domestic appliance. You can find further information about our products on our web page.***

This appliance is designed for processing normal household quantities in the home or similar quantities in non-industrial applications. Non-industrial applications include e.g. use in employee kitchens in shops, offices, agricultural and other commercial businesses, as well as use by guests in boarding houses, small hotels and similar dwellings.

Use the appliance for processing normal quantities of food for domestic use.

These operating instructions refer to various models.

If an accessory is not supplied as standard, it can be purchased subsequently from customer service.

Please keep the Instructions for Use in a safe place. If passing on the appliance to a third party, always include the operating instructions.

## Overview

**Please fold out the illustrated pages.**

### Base unit

#### 1 Ejector button

For removing the tools

#### 2 5-step switch + fast and continuous operation

For switching the appliance on and off and adjusting the operating speed.

O/Off = switched off

1 = slowest speed

5 = fastest speed

M = fast and continuous operation (fastest speed) press to the left and hold in place

#### 3 Apertures for inserting the tools

#### 4 Rear aperture with catch for inserting accessories, e.g. high-speed hand blender


#### 5 Release buttons

For removing accessories from the rear aperture. Press both buttons simultaneously.

#### 6 Tools

a Stirrer

b Kneading hook

 *some models*

c High-speed hand blender

d Blender jug

e Universal cutter (separate operating instructions)

If the universal cutter and high-speed hand blender are not supplied as standard, they can be ordered from customer service.

## Safety Information



### **Risk of injury**

#### **Electric shock risk**

Connect and operate the appliance only in accordance with the specifications on the rating plate.

Do not use if the cord or appliance is damaged. Keep children away from the appliance.

Supervise children to prevent them from playing with the appliance.

Do not allow persons (also children) with restricted physical sensory perception or mental abilities or with lack of experience and knowledge to operate the appliance unless they are supervised or have been instructed in the use of the appliance by somebody who is responsible for their safety.

Always pull out the mains plug after using the appliance, before cleaning the appliance, before leaving the room or if a fault occurs. Do not place the power cord over sharp edges or hot surfaces.

To prevent injury, a damaged power cord must be replaced by the manufacturer or his customer service or a similarly qualified person. Only our customer service may repair the appliance.

Do not use the appliance with damp hands and do not operate at no load.

Operate the appliance with original accessories only.

Insert tools of one type only (e.g. kneading hook). Never simultaneously use tools and an accessory inserted in the rear aperture. Caution when processing hot liquids.

Liquids may splash during processing.

Do not immerse the appliance in liquid.

If there is a power failure, the appliance remains switched on.



### **Risk of injury!**

Before changing tools and high-speed hand blender, wait until the appliance has come to a standstill – when switched off, the appliance continues running briefly. Never grip the blade of the high-speed hand blender. Never grip the rotating tools. Never clean the high-speed hand blender with bare hands. Use a brush.

## Operating the appliance

### Base unit with tools

Before using the appliance for the first time, clean the appliance and tools.

An especially good result is achieved if the tools are used for the following applications:

#### Stirrers for ...

... sauces, beaten egg white, mashed potatoes, crème fraîche, mayonnaise, cream and light dough, e.g. cake mixture.

Stirrers are not suitable for processing heavy dough.

#### Kneading hook for ...

... stiff mixtures such as short pastry, yeast dough and potato dough as well as for mixing heavy mincemeat dough, pasta or bread dough.

**The maximum processing quantity is 500 g of flour and ingredients.**



#### Important information

When the rear aperture is open, the appliance can be operated in fast and continuous operation only. Selector switch 1–5 will not function. Open and close the catch on the rear aperture only when the switch is in the **0/Off** position.

- Completely unwind the power cord.
- Place the required tool on the base unit and depress until it locks into position.

**Note the shape of the plastic parts to prevent mixing them up (see Fig. 3)!**

- Insert the mains plug.
- Place the food in a suitable receptacle.
- Insert tools into the receptacle and switch on the appliance at the required setting.  
Settings 1, 2:  
for working in and mixing in.  
Settings 3, 4, 5:  
for kneading and beating.
- After working, set the switch to 0/Off and release and remove the tools with the ejector button.

#### Attention:

*The ejector button cannot be actuated unless the switch is in the 0/Off position.*

#### Note:

*Always switch off the base unit before taking it out of the blended food.*

 *some models:*

### High-speed hand blender

For blending mayonnaises, sauces, soups, mixed drinks, baby food and for crushing ice and cutting cooked fruit and vegetables.



#### Important information

When the rear aperture is open, the appliance can be operated in fast and continuous operation only. Selector switch 1–5 will not function. Open and close the catch on the rear aperture only when the switch is in the **0/Off** position.

- Push up the catch on the rear aperture until it locks into position.
- Insert the high-speed hand blender and lock into position.
- Put ingredients into the blender jug.
- Move the switch to the left to fast and continuous operation and hold in place.
- After working, remove the high-speed hand blender by simultaneously pressing both release buttons.
- Close the catch on the rear aperture.

#### Note:

*To prevent the food from splashing, first immerse the high-speed hand blender into the food, then switch on the appliance.*

### After using the appliance/cleaning

#### Warning!

*Never immerse the base unit in water and do not clean in the dishwasher.*

*Do not use a steam cleaner!*

- Pull out the mains plug.
- Wipe the base unit with a damp cloth and then wipe dry.
- Clean the tools and high-speed hand blender in the dishwasher or with a brush under running water.

**Note:** If processing e.g. red cabbage, the plastic parts will become discoloured by a red film which can be removed with a few drops of cooking oil.

- The power cord can be wound up to facilitate storage of the appliance (**Fig. 7**).

## Troubleshooting

Switch cannot be moved to settings 1 to 5.

### Remedial action:

When the rear aperture is open, selector switch 1–5 will not function. The catch must be completely closed.

## Recipes

### Whipped cream

100 g–500 g

- Whip cream with the stirrer for ½ to 2 minutes at setting 5 (depending on the quantity and properties of the cream).



### Egg white

1–5 egg whites

- Using the stirrer, beat egg whites for 2 to 5 minutes at setting 5.



### Sponge mixture

#### Basic recipe

2 eggs

2–3 tbs. hot water

100 g sugar

1 packet of vanilla sugar

70 g flour

70 g cornflour

Baking powder if required

- Beat the ingredients (except flour and cornflour) with the stirrer for approx. 3–4 minutes at setting 5 until frothy.
- Switch appliance to setting 1, mix sifted flour and cornflour by the spoonful within approx. ½ to 1 minute.

**Maximum quantity:** 2 x basic recipe



### Cake mixture

#### Basic recipe

2 eggs

125 g sugar

1 pinch of salt

1 packet of vanilla sugar or peel from ½ lemon  
125 g butter or margarine (room temperature)

250 g flour

1 packet of baking powder

60 ml milk

- Mix all ingredients with the stirrer for approx. ½ minute at setting 1, then for approx. 3–4 minutes at setting 5.

**Maximum quantity:** 2 x basic recipe



## Short pastry

### Basic recipe

125 g butter (room temperature)

100–125 g sugar

1 egg

1 pinch of salt

A little lemon peel or vanilla sugar

250 g flour

Baking powder if required

- Mix all ingredients with the kneading hook for approx. ½ minute at setting 1, then for approx. 3–4 minutes at setting 5.

**Maximum quantity:** 2 x basic recipe



### Base for fruit flan

#### Basic recipe

2 eggs

125 g sugar

125 g ground hazel nuts

50 g breadcrumbs

- Beat eggs and sugar for 3 to 4 minutes at setting 5 until a froth forms.
- Switch appliance to Setting 1, add hazel nuts and breadcrumbs and process for ½ minute with the stirrer.

**Maximum quantity:** 2 x basic recipe



### Plaited bun

#### Basic recipe

250 g flour

1 sachets dried yeast

110 ml warm milk

1 egg

1 pinch of salt

40 g sugar

30 g melted, cooled fat

Grated rind of half a lemon

- Mix all ingredients with the kneading hook for approx. ½ minute at setting 1, then for approx. 3–4 minutes at setting 5.

**Maximum quantity:** 2 x basic recipe



### Pizza dough

#### Basic recipe

250 g flour

1 sachets dried yeast

1 tsp. sugar

1 pinch of salt

3 tsb. oil

125 ml warm water



- Mix all ingredients with the kneading hook for approx. ½ minute at setting 1, then for approx. 3–4 minutes at setting 5.

**Maximum quantity:** 2 x basic recipe

## Bread dough

### Basic recipe

500 g flour

14 g sugar

14 g margarine

7 g salt

1 sachets dried yeast

250 ml water

- Mix all ingredients with the kneading hook for approx. ½ minute at setting 1, then for approx. 3–4 minutes at setting 5.



## Disposal



This appliance has been identified in accordance with the European directive 2002/96/EG on Waste Electrical and Electronic Equipment – WEEE. The Directive paves the way for effective EU-wide withdrawal and utilization of waste appliances.

Please ask your dealer or inquire at your local authority about current means of disposal.

## Guarantee

The guarantee conditions for this appliance are as defined by our representative in the country in which it is sold. Details regarding these conditions can be obtained from the dealer from whom the appliance was purchased.

The bill of sale or receipt must be produced when making any claim under the terms of this guarantee.

Subject to alterations.

## Kundendienst – Customer Service

### **DE Deutschland, Germany**

BSH Hausgeräte Service GmbH  
Zentralwerkstatt  
für kleine Hausgeräte  
Trautskirchener Strasse 6 – 8  
90431 Nürnberg

Online Auftragsstatus, Filterbeutel-  
Konfigurator und viele weitere  
Infos unter: [www.bosch-home.de](http://www.bosch-home.de)

Reparaturservice\*  
(Mo-Fr: 8.00-18.00 erreichbar)  
Tel.: 01801 33 53 03  
<mailto:cp-servicecenter@bshg.com>

Ersatzteilbestellung\*  
(365 Tage rund um die Uhr erreichbar)  
Tel.: 01801 33 53 04  
Fax: 01801 33 53 08  
<mailto:spareparts@bshg.com>

\*) 3,9 Ct./Min. aus dem Festnetz,  
Mobilfunk max. 0,42 €/Min.

### **AE United Arab Emirates,**

الإمارات العربية المتحدة

BSH Home Appliances FZE  
Round About 13,  
Plot Nr MO-0532A  
17312 Jebel Ali Free Zone – Dubai  
Tel.: 04 881 4401  
Fax: 04 881 4805  
[www.bosch-home.com](http://www.bosch-home.com)

### **AT Österreich, Austria**

BSH Hausgeräte  
Gesellschaft mbH  
Werkskundendienst  
für Hausgeräte  
Quellenstrasse 2  
1100 Wien  
Tel.: 0810 240 260\*  
Fax: 01 605 75 51 212  
<mailto:vie-stoerungsannahme@bshg.com>

Hotline für Espresso-Geräte:  
Tel.: 0810 700 400\*  
[www.bosch-home.at](http://www.bosch-home.at)

\*innerhalb Österreichs zum Regionaltarif

### **AU Australia**

BSH Home Appliances Pty. Ltd.  
7-9 Arco Lane  
HEATHERTON, Victoria 3202  
Tel.: 1300 368 339  
Fax: 1300 306 818  
valid only in AUS  
<mailto:bshau-as@bshg.com>  
[www.bosch-home.com.au](http://www.bosch-home.com.au)

### **BA Bosna i Hercegovina, Bosnia-Herzegovina**

"HIGH" d.o.o.  
Odošašina 57  
71000 Sarajewo  
Info-Line: 061 100 905  
Fax: 033 213 513  
<mailto:delicnanda@hotmail.com>

### **BE Belgique, België, Belgium**

BSH Home Appliances S.A.  
Avenue du Laerbeek 74  
Laarbeeklaan 74  
1090 Bruxelles – Brussel  
Tel.: 070 222 141  
Fax: 024 757 291  
<mailto:bru-repairs@bshg.com>  
[www.bosch-home.be](http://www.bosch-home.be)

### **BG Bulgaria**

EXPO2000-service  
Ks. Ljuljin, bl.549/B - patrer  
1359 Sofia  
Tel.: 02 826 0148  
Fax: 02 925 0991  
<mailto:service@expo2000.bg>

### **BH Bahrain, البحرين**

Khalaifat Est.  
P.O.BOX 5111  
Manama  
Tel.: 1759 2233  
Fax: 1759 3340  
<mailto:info@khalaifat.com>

### **BR Brasil, Brazil**

Mabe Hortolândia  
Eletrodomésticos Ltda.  
Rua Barão Geraldo Rezende, 250  
13020-440 Campinas/SP  
Tel.: 0800 704 5446  
Fax: 0193 737 7769  
<mailto:bshconsumidor@ATENTO.com.br>  
[www.boscheletrodomesticos.com.br](http://www.boscheletrodomesticos.com.br)

### **CH Schweiz, Suisse, Svizzera, Switzerland**

BSH Hausgeräte AG  
Werkskundendienst für  
Hausgeräte  
Fahrweidstrasse 80  
8954 Geroldswil  
<mailto:ch-info.hausgeraete@bshg.com>  
Service Tel.: 0848 840 040  
Service Fax: 0848 840 041  
<mailto:ch-reparatur@bshg.com>  
Ersatzteile Tel.: 0848 880 080  
Ersatzteile Fax: 0848 880 081  
<mailto:ch-ersatzteil@bshg.com>  
[www.bosch-home.com](http://www.bosch-home.com)

### **CY Cyprus, Κύπρος**

BSH Ikiakes Syskeves-Service  
39, Arh. Makaanriou III Str.  
2407 Egomi/Nikosia (Lefkosia)  
Tel.: 77 77 807  
Fax: 022 658 128  
<mailto:bsh.service.cyprus@cytanet.com.cy>

### **CZ Česká Republika, Czech Republic**

BSH domácí spotřebiče s.r.o.  
Firemní servis domácích  
spotřebičů  
Pekařská 10b  
155 00 Praha 5  
Tel.: 0251 095 546  
Fax: 0251 095 549  
[www.bosch-home.com](http://www.bosch-home.com)

### **DK Danmark, Denmark**

BSH Hvidevarer A/S  
Bosch Hvidevareservice  
Telegrafvej 4  
2750 Ballerup  
Tel.: 44 89 89 85  
Fax: 44 89 89 86  
<mailto:BSH-Service.dk@BSHG.com>  
[www.bosch-home.dk](http://www.bosch-home.dk)

### **EE Eesti, Estonia**

SIMSON OÜ  
Raua 55  
10152 Tallinn  
Tel.: 0627 8730  
Fax: 0627 8733  
<mailto:teenindus@simson.ee>

### **ES España, Spain**

BSH Electrodomésticos  
España S.A.  
Servicio BSH al Cliente  
Polígono Malpica, Calle D  
Parcela 96 A  
50016 Zaragoza  
Tel.: 902 351 352  
Fax: 976 578 425  
<mailto:CAU-Bosch@bshg.com>  
[www.bosch-home.es](http://www.bosch-home.es)

### **FI Suomi, Finland**

BSH Kodinkoneet Oy  
Itälahdenkatu 18 A, PL 123  
00201 Helsinki  
Tel.: 0207 510 700  
Fax: 0207 510 780  
<mailto:Bosch-Service-FI@bshg.com>  
[www.bosch-home.fi](http://www.bosch-home.fi)  
Lankapuhelimesta 8,28 snt/puhelu  
+ 7 snt/min (alv 23%)  
Matkapuhelimesta 8,28 snt/puhelu  
+ 17 snt/min (alv 23%)

**FR France**

BSH Electroménager S.A.S.  
50 rue Ardoin – BP 47  
93401 SAINT-OUEN cedex

Service interventions à domicile:  
01 40 10 11 00

Service Consommateurs:  
0 892 698 010 (0,34 € TTC/mn)

Service Pièces Détachées et  
Accessoires:  
0 892 698 009 (0,34 € TTC/mn)  
www.bosch-home.fr

**GB Great Britain**

BSH Home Appliances Ltd.  
Grand Union House  
Old Wolverton Road  
Wolverton

Milton Keynes MK12 5PT  
To arrange an engineer visit, to  
order spare parts and accessories  
or for product advice please visit  
www.bosch-home.co.uk  
or call  
Tel.: 0844 892 8979\*

\*Calls from a BT landline will be charged at  
up to 3 pence per minute. A call set-up fee  
of up to 6 pence may apply.

**GR Greece, Ελλάς**

BSH Ikiakes Siskeves A.B.E.  
Central Branch Services  
17 km E.O. Athinon-Lamias &  
Potamou 20  
145 64 Kifisia

Greece – Athens  
Tel.: 2104 277 701  
Fax: 2104 277 669

North-Greece – Thessaloniki  
Tel.: 2310 497 200  
Fax: 2310 497 220

South-Greece – Heraklion/Kreta  
Tel.: 2810 325 403  
Fax: 2810 324 585

Central-Greece – Patras  
Tel.: 2610 330 478  
Fax: 2610 331 832  
mailto:cs\_gr\_helpdesk@bshg.com  
www.bosch-home.gr

**HK Hong Kong, 香港**

BSH Home Appliances Limited  
Unit 1 & 2, 3rd Floor  
North Block, Skyway House  
3 Sham Mong Road  
Tai Kok Tsui, Kowloon  
Hong Kong

Tel.: 2565 6151  
Fax: 2565 6252  
mailto:bshhkg.service@bshg.com

**HR Hrvatska, Croatia**

Andabaka d.o.o.  
Gunduliceva 10  
21000 Split  
Info-Line: 021 481 403  
Info-Fax: 021 481 402  
mailto:servis@andabaka.hr

**HU Magyarország, Hungary**

BSH Háztartási Készülék  
Kereskedelmi Kft.  
Háztartási gépek márkaszervize  
Királyhágó tér 8-9  
1126 Budapest

Hibabejelentés  
Tel.: 01 489 5461  
Fax: 01 201 8786  
mailto:hibabejelentes@bsh.hu

Alkatrészrendelés  
Tel.: 01 489 5463  
Fax: 01 201 8786  
mailto:alkatrészrendeles@bsh.hu  
www.bosch-home.com

**IE Republic of Ireland**

BSH Home Appliances Ltd.  
Unit F4, Ballymount Drive  
Ballymount Industrial Estate  
Walkinstown  
Dublin 12

Service Requests,  
Spares and Accessories  
Tel.: 01450 2655  
Fax: 01450 2520  
www.bosch-home.eu.uk

**IL Israel, ישראל**

C/S/B Home Appliance Ltd.  
Ulfiel Building  
2, Hamelacha St.  
Industrial Park North  
71293 Lod  
Tel.: 08 9777 222  
Fax: 08 9777 245  
mailto:csb-serv@zahav.net.il

**IS Iceland**

Smith & Norland hf.  
Noatuni 4  
105 Reykjavik  
Tel.: 0520 3000  
Fax: 0520 3011  
www.sminor.is

**IT Italia, Italy**

BSH Elettrodomestici S.p.A.  
Via. M. Nizzoli 1  
20147 Milano (MI)  
Numero verde 800 829120  
mailto:mil-assistenza@bshg.com  
www.bosch-home.com

**KZ Kazakhstan, Қазақстан**

IP "Batkayev Ildus A."  
B. Momyshev-uly Str.7  
Chymkent 160018  
Tel./Fax: 0252 31 00 06  
mailto:evrika\_kz@mail.ru

**LB Lebanon, لبنان**

Teheni, Hana & Co.  
Boulevard Dora 4043 Beyrouth  
P.O. Box 90449  
Jdeideh 1202 2040  
Tel.: 01 255 211  
Fax: 01 257 359  
mailto:Info@Teheni-Hana.com

**LT Lietuva, Lithuania**

Senuku prekybos centras UAB  
Jonavos g. 62  
44192 Kaunas  
Tel.: 0372 12146  
Fax: 0372 12165  
www.senukai.lt

Elkor Serviss  
Brivibas gatve 201  
1039 Riga  
Tel.: 067 0705 20; -36  
Fax: 067 0705 24  
mailto:domoservice@elkor.lv  
www.servisacentrs.lv

**LU Luxembourg**

BSH électroménagers S.A.  
13-15 ZI Breedeweues  
1259 Senningerberg  
Tel.: 26349 300  
Fax: 26349 315  
mailto:lux-service.electromenager@  
bshg.com  
www.bosch-home.com

**LV Latvija, Latvia**

Sia Olimpeks Elektroniks Ltd.  
Bullu street 70c  
1067 Riga  
Tel.: 07 42 41 37  
mailto:bt@olimpeks.lv

Elkor Serviss  
Brivibas gatve 201  
1039 Riga  
Tel.: 067 0705 20; -36  
Fax: 067 0705 24  
mailto:domoservice@elkor.lv  
www.servisacentrs.lv

**ME Crna Gora, Montenegro**

Elektronika komerc  
Ul. 27 Mart br.2  
81000 Podgorica  
Tel./Fax: 020 662 444  
Mobil: 069 324 812  
mailto:ekobosch.servis@t-com.me

**MK Macedonia, Македонија**

GORENEC  
Jane Sandanski 69 lok.3  
1000 Skopje  
Tel.: 02 2454 600  
Mobil: 070 697 463  
mailto:gorenece@yahoo.com

**MT Malta**

Oxford House Ltd.  
Notabile Road  
Mriehel BKR 14  
Tel.: 021 442 334  
Fax: 021 488 656  
www.oxfordhouse.com.mt

**NL Nederland, Netherlands**

BSH Huishoudapparaten B.V.  
Burg. Stramanweg 122  
1101 EN Amsterdam Zuidoost

Storingsmelding:  
Tel.: 020 430 3 430  
Fax: 020 430 3 445  
mailto:contactcenter-nl@  
bshg.com

Onderdelenverkoop:  
Tel.: 020 430 3 435  
Fax: 020 430 3 400  
mailto:bosch-onderdelen@bshg.com  
www.bosch-home.nl

**NO Norge, Norway**

BSH Husholdningsapparater A/S  
Grensevingen 9  
0661 Oslo  
Tel.: 22 66 06 00  
Fax: 22 66 05 50  
mailto:Bosch-Service-NO@  
bshg.com  
www.bosch-home.no

**NZ New Zealand**

BSH Home Appliances Ltd.  
Unit F 2, 4 Orbit Drive  
Mairangi BAY  
Auckland 0632  
Tel.: 09 477 0492  
Fax: 09 477 2647  
mailto:bshnz-cs@bshg.com  
www.bosch-home.co.nz

**PL Polska, Poland**

BSH Sprzęt Gospodarstwa  
Domowego sp. z o.o.  
Al. Jerozolimskie 183  
02-222 Warszawa  
Centrala Serwisu  
Tel.: 0801 191 534  
Fax: 022 57 27 709  
mailto:Serwis.Fabryczny@bshg.com  
www.bosch-home.pl

**PT Portugal**

BSHP Electrodomésticos Lda.  
Rua Alto do Montijo, nº 15  
2790-012 Carnaxide  
Tel.: 707 500 545  
Fax: 21 4250 701  
mailto:bosch.electrodomesticos.pt@  
bshg.com  
www.bosch-home.pt

**RO România, Romania**

BSH Electrocasnice srl.  
Sos. Bucuresti-Ploiesti,  
nr.17-21, sect.1  
13682 Bucuresti  
Tel.: 0801 000 110  
Fax: 021 203 9731  
mailto:service.romania@bshg.com  
www.bosch-home.com

**RU Russia, Россия**

ООО "БСХ Бытовая техника"  
Сервис от производителя  
Малая Калужская 19/1  
119071 Москва  
тел.: 495 737 2961  
факс: 495 737 2982  
mailto:mok-kdhl@bshg.com  
www.bosch-home.com

**SE Sverige, Sweden**

BSH Hushållsapparater AB  
Landsvägen 32  
169 29 Solna  
Tel.: 0771 11 22 77  
mailto:Bosch-Service-SE@  
bshg.com  
www.bosch-home.se

**SG Singapore, 新加坡**

BSH Home Appliances Pte. Ltd.  
37 Jalan Pemimpin  
Union Industrial Building  
Block A, #01-03  
577177 Singapore  
Tel.: 6751 5000  
Fax: 6751 5005  
mailto:bshsgp.service@bshg.com

**SI Slovenija, Slovenia**

BSH Hišni aparati d.o.o.  
Litostrajska 48  
1000 Ljubljana  
Tel.: 01 583 08 87  
Fax: 01 583 08 89  
mailto:informacije.servis@  
bshg.com  
www.bosch-home.com

**SK Slovensko, Slovakia**

Technoservis Bratislava  
Trhová 38  
84108 Bratislava – Doubravka  
Tel.: 02 6446 3643  
Fax: 02 6446 3643  
www.bosch-home.com

**TR Türkiye, Turkey**

BSH Ev Aletleri Sanayi  
ve Ticaret A.S.  
Cakmak Mahallesi  
Balkan Caddesi No: 51  
34770 Ümraniye, Istanbul  
Tel.: 0 216 444 6333  
Fax: 0 216 528 9188  
mailto:careline.turkey@bshg.com  
www.bosch-home.com

**TW Taiwan, 台灣**

Achelis Taiwan Co. Ltd.  
4th Floor, No.112  
Chung Hsiao E. Road, Sec. 1  
Taipei ROC 100  
Tel.: 02 5556 2556  
Fax: 02 5556 1235  
www.boschappliance.com.tw

**UA Ukraine, Україна**

ТОВ "БСХ Побутова Техніка"  
тел.: 044 4902095  
www.bosch-home.com

**XK Kosovo**

NTP GAMA  
Rruga Mag Pristine-Ferizaj  
70000 Ferizaj  
Tel.: 038 502 448  
Fax: 029 021 434  
mailto:gama\_mb@yahoo.com

**XS Srbija, Serbia**

SZR "SPECIJALELEKTRO"  
Bulevar Milutina Milankovića 34  
11070 Novi Beograd  
Tel.: 011 2147 110  
Fax: 011 2139 689  
mailto:spec.el@eunet.rs

**ZA South Africa**

BSH Home Appliances (Pty) Ltd.  
15th Road Randjespark  
Private Bag X36, Randjespark  
1685 Midrand – Johannesburg  
Tel.: 086 002 6724  
Fax: 0866 171 780  
mailto:applianceserviceza@  
bshg.com  
www.bosch-home.com



# Garantiebedingungen DEUTSCHLAND (DE)

Die nachstehenden Bedingungen, die Voraussetzungen und Umfang unserer Garantieleistung beschreiben, lassen die Gewährleistungsverpflichtungen des Verkäufers aus dem Kaufvertrag mit dem Endabnehmer unberührt.

Für dieses Gerät leisten wir Garantie gemäß nachstehenden Bedingungen:

1. Wir beheben unentgeltlich nach Maßgabe der folgenden Bedingungen (Nr. 2 - 6) Mängel am Gerät, die nachweislich auf einem Material- und/ oder Herstellungsfehler beruhen, wenn sie uns unverzüglich nach Feststellung und innerhalb von 24 Monaten nach Lieferung an den Erstendabnehmer gemeldet werden. Zeigt sich der Mangel innerhalb von 6 Monaten ab Lieferung, wird vermutet, dass es sich um einen Material- oder Herstellungsfehler handelt.

2. Die Garantie erstreckt sich nicht auf leicht zerbrechliche Teile wie z.B. Glas oder Kunststoff bzw. Glühlampen.

Eine Garantiepflicht wird nicht ausgelöst durch geringfügige Abweichungen von der Soll-Beschaffenheit, die für Wert und Gebrauchstauglichkeit des Gerätes unerheblich sind, oder durch Schäden aus chemischen und elektrochemischen Einwirkungen von Wasser, sowie allgemein aus anomalen Umweltbedingungen oder sachfremden Betriebsbedingungen oder wenn das Gerät sonst mit ungeeigneten Stoffen in Berührung gekommen ist. Ebenso kann keine Garantie übernommen werden, wenn die Mängel am Gerät auf Transportschäden, die nicht von uns zu vertreten sind, nicht fachgerechte Installation und Montage, Fehlgebrauch, eine nicht haushaltsübliche Nutzung, mangelnde Pflege oder Nichtbeachtung von Bedienungs- oder Montagehinweisen zurückzuführen sind.

Der Garantieanspruch erlischt, wenn Reparaturen oder Eingriffe von Personen vorgenommen werden, die hierzu von uns nicht ermächtigt sind, oder wenn unsere Geräte mit Ersatzteilen, Ergänzungs- oder Zubehörteilen versehen werden, die keine Originalteile sind und dadurch ein Defekt verursacht wird.

3. Die Garantieleistung erfolgt in der Weise, dass mangelhafte Teile nach unserer Wahl unentgeltlich instandgesetzt oder durch einwandfreie Teile ersetzt werden.

Geräte, die zumutbar (z.B. im PKW) transportiert werden können, und für die unter Bezugnahme auf diese Garantie eine Garantieleistung beansprucht wird, sind unserer nächstgelegenen Kundendienststelle oder unserem Vertragskundendienst zu übergeben oder zuzusenden. Instandsetzungen am Aufstellungsort können nur für stationär betriebene (feststehende) Geräte verlangt werden.

Es ist jeweils der Kaufbeleg mit Kauf- und/oder Lieferdatum vorzulegen. Ersetzte Teile gehen in unser Eigentum über.

4. Sofern die Nachbesserung von uns abgelehnt wird oder fehlschlägt, wird innerhalb der oben genannten Garantiezeit auf Wunsch des Endabnehmers kostenfrei gleichwertiger Ersatz geliefert.

5. Garantieleistungen bewirken weder eine Verlängerung der Garantiefrist, noch setzen sie eine neue Garantiefrist in Lauf. Die Garantiefrist für eingebaute Ersatzteile endet mit der Garantiefrist für das ganze Gerät.

6. Weitergehende oder andere Ansprüche, insbesondere solche auf Ersatz außerhalb des Gerätes entstandener Schäden sind - soweit eine Haftung nicht zwingend gesetzlich angeordnet ist - ausgeschlossen.

Diese Garantiebedingungen gelten für in Deutschland gekaufte Geräte. Werden Geräte ins Ausland verbracht, die die technischen Voraussetzungen (z.B. Spannung, Frequenz, Gasarten, etc.) für das entsprechende Land aufweisen und die für die jeweiligen Klima- und Umweltbedingungen geeignet sind, gelten diese Garantiebedingungen auch, soweit wir in dem entsprechenden Land ein Kundendienstnetz haben. Für im Ausland gekaufte Geräte gelten die von unserer jeweils zuständigen Landesvertretung herausgegebenen Garantiebedingungen. Diese können Sie über Ihren Fachhändler, bei dem Sie das Gerät gekauft haben, oder direkt bei unserer Landesvertretung anfordern.

## **Beachten Sie unser weiteres Kundendienst-Angebot:**

Auch nach Ablauf der Garantie stehen Ihnen unser Werkskundendienst und unsere Servicepartner zur Verfügung.

**Robert Bosch Hausgeräte GmbH**  
Carl-Wery-Str. 34 / 81739 München // Germany

**Für Produktinformationen sowie Anwendungs- und Bedienungsfragen aus Deutschland:**

**Bosch-Infoteam**

(Mo-Fr: 8.00-18.00 Uhr erreichbar)

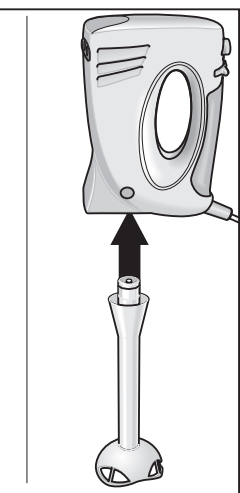
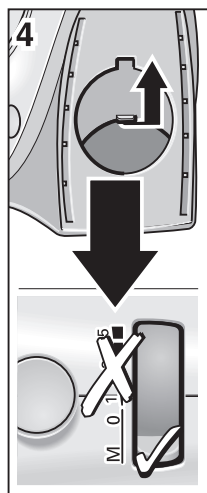
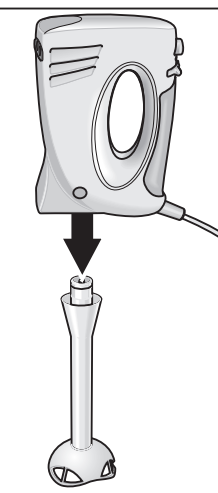
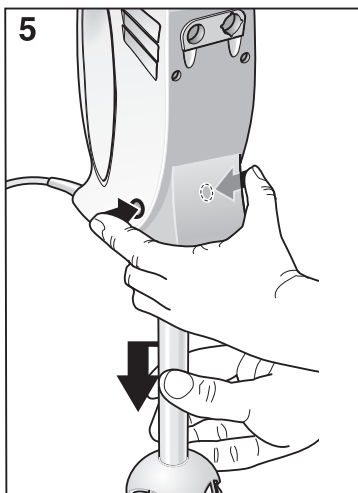
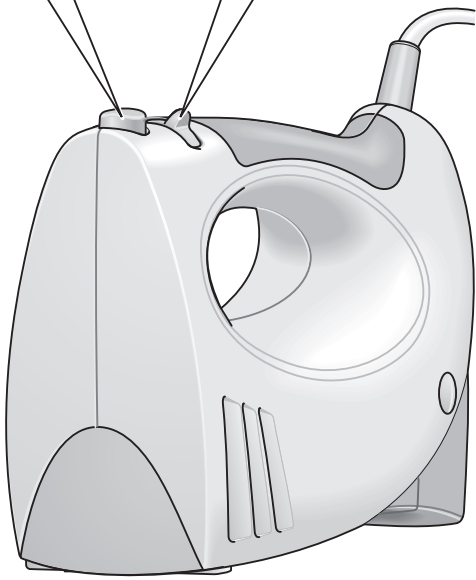
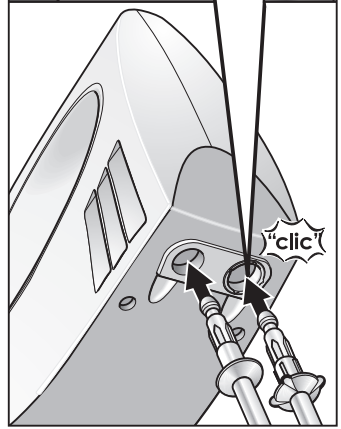
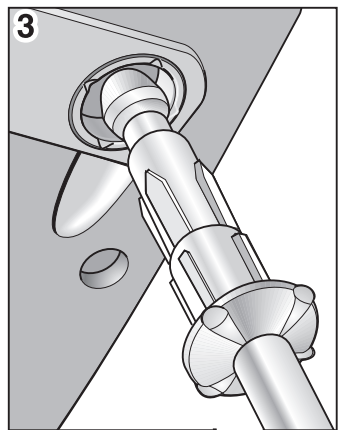
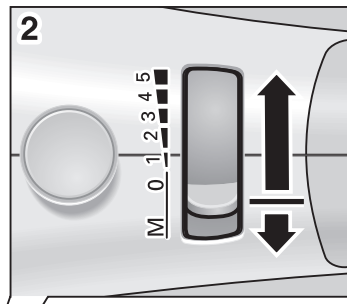
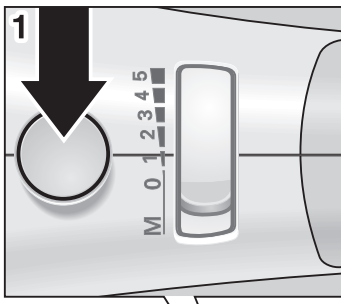
**Tel.: 01 805 267242\*** oder unter

**bosch-infoteam@bshg.com**

\*) 0,14 €/Min. aus dem Festnetz,

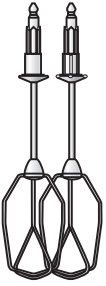
Mobilfunk max. 0,42 €/Min.

Nur für Deutschland gültig!

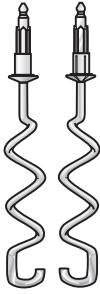


6

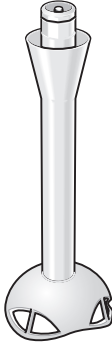
a



b



c



d



e



7

