

(140*212)MM

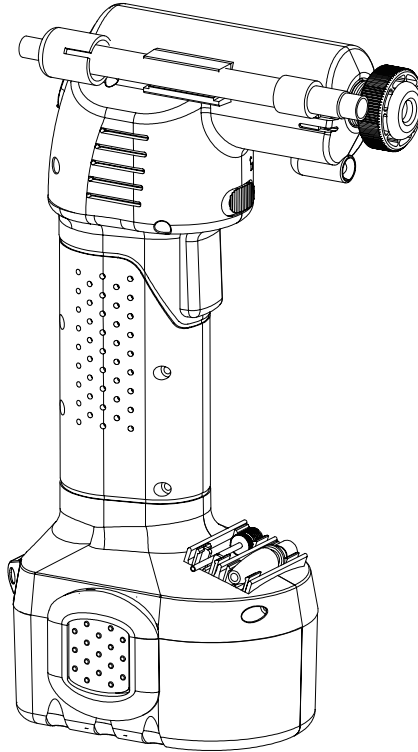


AIRGUN

Professional

CORDLESS INFLATOR

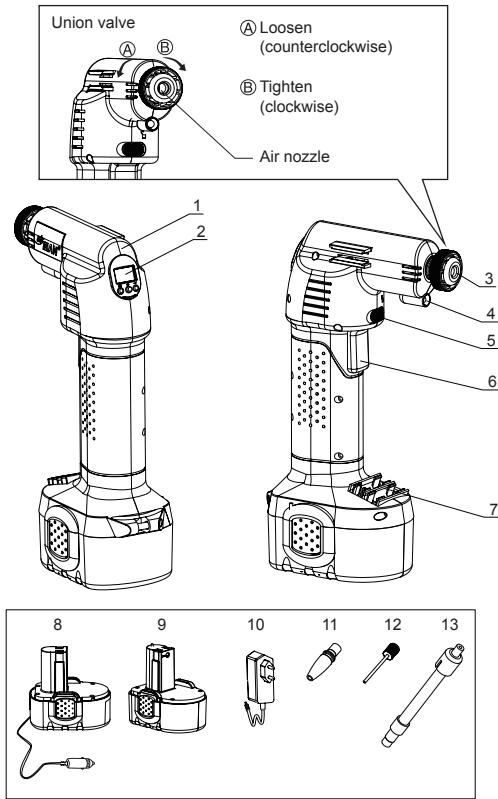
OWNER'S MANUAL



MODEL NO:55-032

KEEP THE ORIGINAL BOX, PACKAGING AND RECEIPT. BEFORE OPERATING THIS UNIT, READ THE MANUAL THOROUGHLY AND RETAIN IT FOR FUTURE REFERENCE.

AIRGUN



APPLICATIONS

- ATVs/Quads
- Bicycle tires
- Sporting equipments (basketballs, etc)
- Camping equipments

- 1.High-pressure air compressor
- 2.Built-in digital tire gauge with preset auto-stop function
- 3.Air nozzle
- 4.LED light
- 5.Safety switch - to avoid accidental triggering of the air compressor
- 6.Trigger
- 7.Adapter holder
- 8.12V car cigarette lighter adapter (3.4 m cable)
- 9.One Li-ion battery pack
- 10.AC charger
- 11.Balloon adapter
- 12.Ball adapter
- 13.Pressure hose with thread connector

*Note:When trigger is pushed hard enough, the unit will turn on even if the safety switch is engaged

POWER SOURCE

The air compressor can be powered by both the Li-ion rechargeable battery and the 12V cigarette lighter adapter.

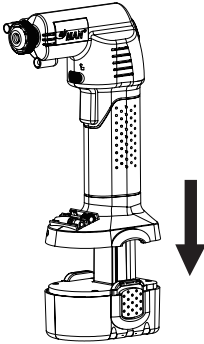
CHARGING FROM THE AC CHARGER PORT ON THE BATTERY

Important! please charge over 3 hours before first use.

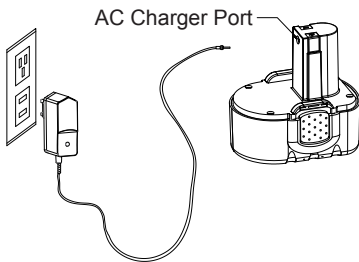
Remove the battery from the air compressor by gripping the end of the battery and pulling it out. The AC charger can be used to charge the battery directly by connecting the AC charger to AC charger port on the battery and plugging the AC charger to a 120V power source. When the charger's LED lamp changes from red to green, charging completed, please remove the charger.

Warning! Failure to fully charge the battery will result in shorter life, compromised performance and will void battery warranty.

STEP 1



STEP 2



TYPICAL RUN-TIME*

DEVICE	TYPICAL RUN-TIME*
Air Compressor	(5 - 10) minutes

*REMARK:

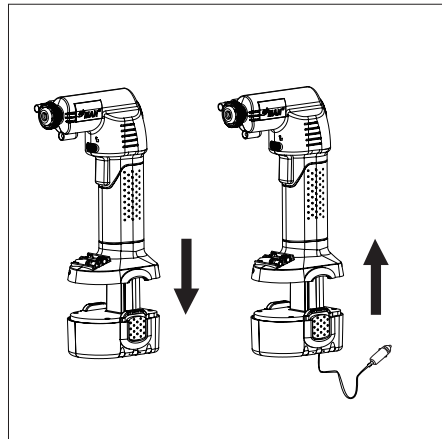
1. Typical run-time will vary depending on the battery level, pressure load during use, and the operating conditions.
2. High-pressure loading, or excessive back pressure will result in a shorter run-time than indicated above.
3. Cold temperature conditions will reduce battery run-time. **We recommend using the 12V cigarette lighter adapter pack during cold temperature operating conditions.**

When the operating period per charge is significantly reduced, it indicates the battery is worn-out and should be replaced.

12V CIGARETTE LIGHTER ADAPTER PACK

Switching between the battery and 12V cigarette lighter adapter pack







- Roll out the 12V cord before use.
- Remove the battery from the air compressor by gripping the end of the battery and pulling it out.
- Slide the 12V adapter pack into the air compressor until clicks into place. Make sure that the cord runs through the small hole at the base of the cable pack.
- Connect the 12V car cigarette lighter adapter to the cigarette lighter socket in your car.






INFLATION INSTRUCTION

HIGH-PRESSURE AIR COMPRESSOR

The air compressor has been specially designed for simple and fast inflation of car tires, bicycle tires, basketball, sporting equipment, and party balloons. The air compressor provides a small quantity of air at a relatively high pressure.

	Set state	Lock-out state
PSI		
BAR		
KPA		

INFLATING A CAR TIRE AND BICYCLE TIRE

1. Loosen the union valve from the air nozzle.
2. Insert the pressure hose with thread connector into the air nozzle and tighten the union valve.
3. Turn on the digital tire gauge by pressing  button and the LCD will light up. After 15 seconds of activity, the digital tire gauge will turn off automatically to conserve energy.
4. To choose desired pressure format PSI, BAR, KPA, press the  button firmly scintillation 3 times, lock for setting format. Each press of the  button cycles through the pressure format.
5. Screw the thread connector onto tire's valve stem. When connected correctly the gauge will display the tire.
6. Press "+" or "-" to check pre-set level. Adjust to desired level by pressing "+" or "-". Once pre-set pressure is set, wait a few seconds for display to change back to zero.
7. Unlock safety switch and press the trigger.
8. Your compressor will now inflate your tire to the pre-set pressure level, and will shut off automatically.
9. Turn off the air compressor by pressing the trigger once.
10. Remove the thread connector from the tire.


Note: To avoid over-inflation of tires, please check the recommended car tire pressure in the vehicle's owner's manual. For bicycle tire please check the tire marking.

WARNING

- The digital tire gauge must turn on before operating the air compressor. Please read, and understand the instruction provided in the manual prior to operation.
- Failure to turn off the air compressor will result in loss of battery power.
- The built-in pressure gauge will provide an estimated reading only. Please use a digital pressure gauge for more accurate pressure information.

INFLATION INSTRUCTION

INFLATING SPORTING EQUIPMENT (I.E. BASKETBALL)OR PARTY BALLOONS

1. Loosen the union valve from the air nozzle.
2. Insert the ball/balloon adapter into the air nozzle and tighten the union valve.
3. Turn on the digital tire gauge by pressing  button and the LCD will light up. After 15 seconds of inactivity, the digital tire gauge will turn off automatically to conserve energy.
4. Insert the ball/balloon adapter into valve of the object is fully inflated.
5. Operate the air compressor until the object is fully inflated.
6. Remove ball/balloon adapter from the inflated object's valve.

NOTE: If a pressure reading is required during inflation, the built-in pressure gauge will provide an estimated reading only.

WARNING

- The digital tire gauge must turn on before operating the air compressor. Please read, and understand the instruction provided in the manual prior to operation.
- The built-in pressure gauge will provide an estimated reading only. Please use a digital pressure gauge for more accuracy pressure information.

STORAGE

We recommend that if the professional cordless air compressor is not going to be used for more than a month, the battery should be removed from the unit.

⚠ CAUTION ⚠

- Do not run the air compressor continuously for more than 15 minutes. After each 15 minutes, allow it to cool for a minimum of 15 minutes.
- Do not leave the air compressor unattended while in operation. Keep out of reach of children.
- Do not exceed maximum pressure of 120 psi.

GENERAL SAFETY MEASURES AND PRECAUTIONS THAT APPLY TO THE USE OF AIR COMPRESSOR

Safe operation of the air compressor requires that you read the instructions and safety precautions carefully and follow all instructions before using the air compressor.

1. The air compressor is designed for occasional use. Inflation over a long period will overheat the air compressor and may cause damage.
2. The air compressor must not operate for more than 15 minutes at a time, after which it must be switched off and set aside to cool for at least 15 minutes before restarting.
3. If the air compressor emits abnormal sounds or overheats, turn it off immediately and let it cool off for minimum 30 minutes.
4. Inspect air compressor, and batteries before use. If cracked, broken or damaged parts are found, qualified technicians should repair damaged parts.
5. Incorrect use of the air compressor may result in personal injury and/or property damage.
6. Never expose the air compressor or battery to rain, frost or temperatures above 50°C (122 F). Never change the battery in humid or wet locations.
7. Never use the air compressor near flammable fluids or gases. Make sure your working area is well-lit.
8. Protect yourself against electric shock. Avoid physical contact with grounded surfaces such as pipes, radiators, electric stoves, refrigerators, etc.
9. Never allow children to connect/disconnect the air compressor to/from power sources. Never leave children unattended with the air compressor and never allow them to play with the accessories.
10. Never allow anyone to pump air into mouth, ears, nose, etc of people, or animals. The air compressor is not a toy.
11. Store air compressor in a secure location. If the air compressor for long periods of time, it should be stored in a dry space inaccessible to children.
12. Regularly check the charger cord. Never carry the charger by the cord and never pull the plug out of the outlet by jerking the cord. Make sure the cord is not exposed to hot objects, oil or sharp edges.
13. Keep the air compressor clean to maintain maximum output and safety. Examine the plug, charger and cable pack on a regular basis and have them repaired by qualified technicians if they are damaged.
14. Unplug the 12V car cigarette lighter adapter from the cigarette lighter socket in your car when the air compressor is not in use.
15. Unplug the AC charger from the battery when the charger is not in use.
16. Never charge the battery outdoors. Do not open the battery. Protect it against impact. The battery should be stored in a dry, frost-free place.
17. The battery and charger are designed for each other. Only an AirMan approved charger should be used.
18. Protect the battery against heat and fire to prevent danger due to explosion!
19. Do not place the battery on a heater and do not expose it to solar radiation for a prolonged period. Exposing the battery to temperatures above 50°C (122°F) will damage the battery. Allow the battery to cool off completely before charging.
20. Do not directly connect the positive (+) and the negative (-) terminals. This will result in a short-circuit caused by metallic arcing.
21. Stay alert. Always pay attention to what you are doing when working with the air compressor, charger and battery.
22. Warning! For your own safety, you should only use accessories and parts specified in the instructions, or recommended for use by the manufacturer. Use of accessories and other parts that are not mentioned in the instructions may entail an increased risk for the user of the air compressor.

BATTERIES AND THE ENVIRONMENT

This product uses a lead acid, sealant, rechargeable battery. The battery pack is recyclable. At the end of the battery pack's useful life, the unit should be recycled or properly disposed of. Do not discard in a landfill or with household waste material. Do not incinerate. Contact your local city officials for battery disposal information.

In observance of European Directive 2002/96/EC on waste electrical and electronic equipment and its implementation in accordance with national law, electric tools that have reached the end of their life must be collected separately and returned to an environmentally compatible recycling facility.

WARRANTY

Manufacturer's liability is limited to product replacement with proof of purchase by ActiveTools. Active Tools warrants that their AirMan Compressors/Inflators will be free from defects in material and workmanship, under normal use, for two years from the date of retail purchase. The limited warranty does not apply in the event of damage caused by abuse, misuse, or other external causes to the products. Active Tools reserves the right to substitute products of equal or greater value if identical products are not available. This limited warranty is non-transferable.

North America

Active Tools USA, Inc.
1237 Chicago Road
Troy, Michigan 48083
USA

Europe, Middle East & Africa

Active Tools Europe GmbH
Otto-Hahn-Straße 72
32108 Bad Salzuflen
Germany

Asia Pacific

Active Tools International (HK) Ltd.
25/F Top Glory Tower
262 Gloucester Road,
Causeway Bay
Hong Kong



www.my-airman.com

