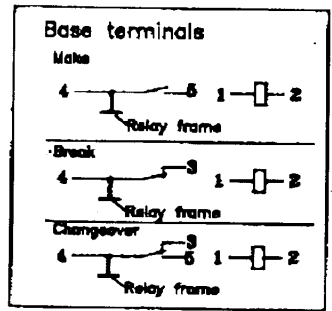
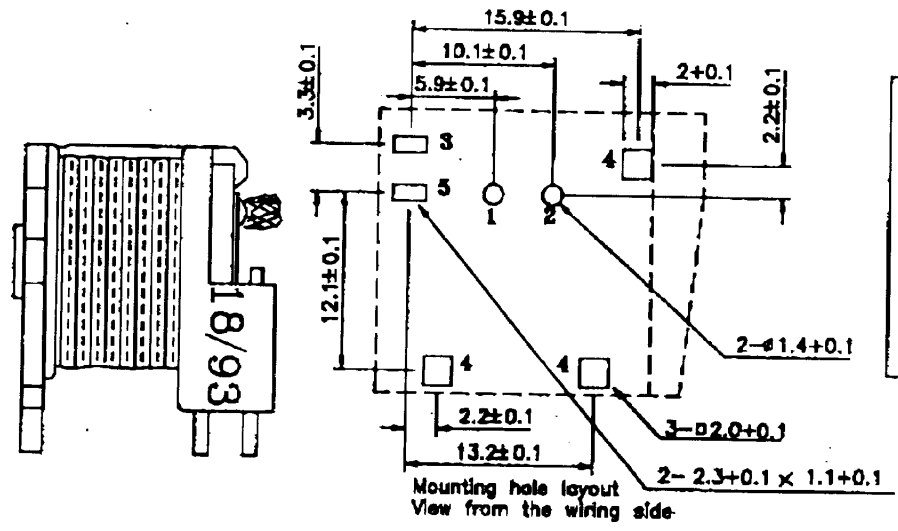
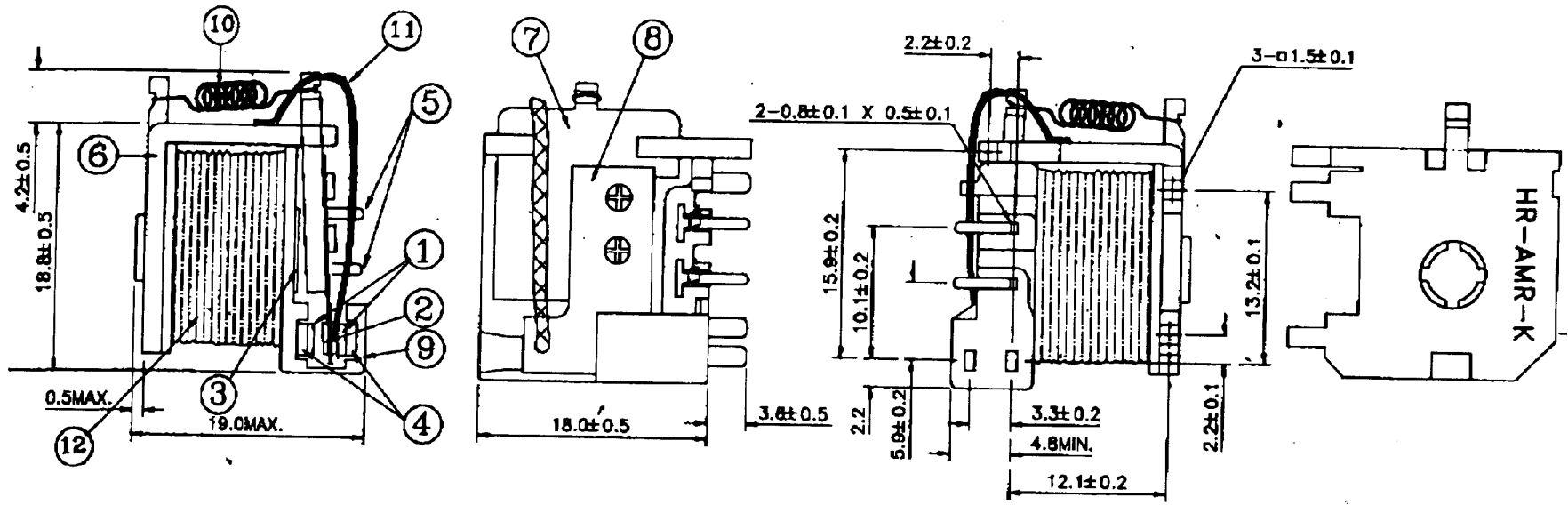


# SPECIFICATIONS

1. TYPE : SUB-MINIATURE POWER RELAY (HR-AMRK 1206)
2. STRUCTURE : As per attached drawing  
NO. HA-9601201
3. DIMENSIONS & SCHEMATICS : As per attached drawing  
NO. HA-9601201
4. CONTACT
  - 4-1. FORM : SPDT
  - 4-2. RATINGS : 40A 13VDC (Resistive load)
  - 4-3. RESISTANCE : 50m ohm max. (at initial)
5. COIL(at 20°C)
  - 5-1. NOMINAL VOLTAGE : 12 VDC
  - 5-2. RESISTANCE : 90 ohm  $\pm$  10%
  - 5-3. NOMINAL CURRENT : 133.3mA
  - 5-4. POWER DISSIPATION : 1.6 W approx.(at rated voltage)
  - 5-5. PICK-UP VOLTAGE : 7.2 V max.
  - 5-6. DROP-OUT VOLTAGE : 1.2 V min.
6. OPERATING FREQUENCY
  - 6-1 MECHANICALLY :  $1.0 \times 10^6$  times(Switching frequency  
300times/minute)
  - 6-2 ELECTRICALLY :  $0.1 \times 10^6$  times(Switching frequency  
at rated load 30times/minute)
7. OPERATE TIME : Approx. 10mS
8. RELEASE TIME : Approx. 10mS
9. INSULATION RESISTANCE : 100 M ohm or more (at 500VDC)
10. DIELECTRIC STRENGTH : 750VAC 1 min.
11. ANTI-VIBRATION : 10-55Hz (Dual amplitude : 1.5mm)
12. SHOCK
  - 12-1 FALSE OPERATION : 10G(11mS)
  - 12-2 ENDURANCE : 30G(11mS)
13. AMBIENT TEMPERATURE : -40°C - +85°C
14. HUMIDITY : 45 - 85%RH
15. WEIGHT : 17gr. approx.



Approx. weight 17g

12	COIL	242W	
11	REED WIRE	COPPER	1
10	RETURN SPRING	STAINLESS	1
9	BOBBIN	NYLON	1
8	MOV. SPRING	PHOSPHOR BRONZE	1
7	ARMATURE	ELECTRICAL STEEL	1
6	YORK	ELECTRICAL STEEL	1 YIN PLATE
5	COIL TERMINAL	BRASS	2
4	F-CONTACTOR	COPPER	2
3	POLE CORE	ELECTRICAL STEEL	1
2	M-CONTACT	Ag30Sn	2
1	F-CONTACT	Ag30Sn	2