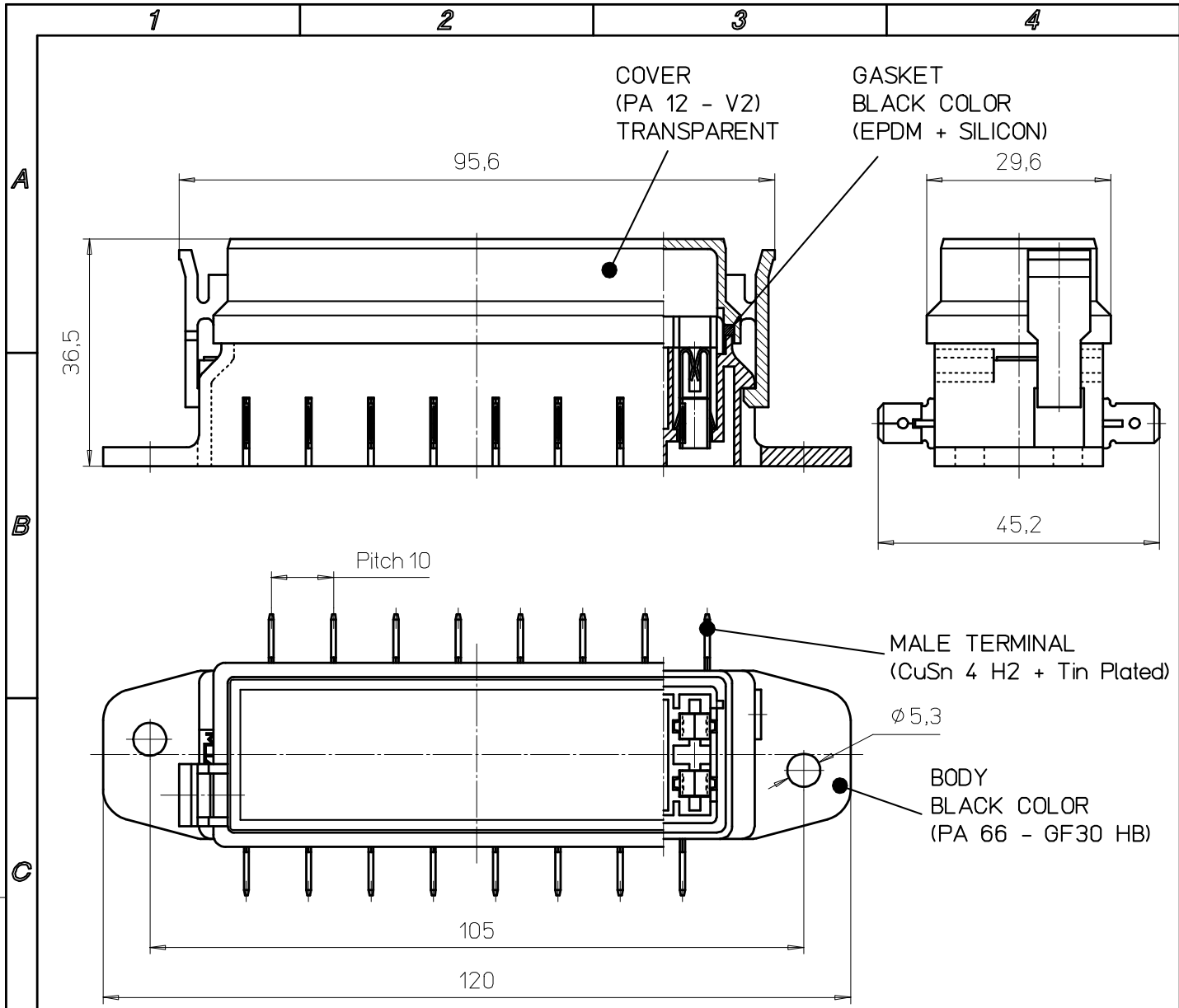


All proprietary rights reserved by MECCANOTECNICA CODOGNESE S.p.A. - This drawing shall not be reproduced, or in any way utilized, for the manufacture of the component or unit herein illustrated and must not be released to other parties, without written consent. Any infringement will be legally pursued.



UNCONTROLLED COPY
 in case of drawing updating/revision
 NO AUTOMATIC
 resubmission will follow

OPERATING FEATURES		
FEATURE	UNIT	VALUE
<i>V max</i>	V	32
<i>T. min - T. max</i>	°C	-30 / +100
<i>* I Continuous</i>	A	RECOMMENDED 135A TOT; 20A/WAY
<i>IP</i>	IEC 529	23

*APPLICATION WITH CURRENT HIGHER THAN THE INDICATED ONE, HAVE TO BE VERIFIED AND AUDITED ONE BY ONE

MTA auto electric systems		MTA P/N 01.00590		Denom. FUSE BOX UNIVALENTE SIDE 8 WAY					
		Draw No. B0-002.021A		Used for					
Rel. Level APPROVED		Draw for CLIENT		Family FUSE HOLDERS		MULTIWAY			
Date	Name	Scale 1:1	Weight(g)	Lin.Tol.* 0.5	Ang.Tol.*	Material	SEE DRAWING	Thick.	Width
Draft	06/11/1989 M. CORBANI								
Chk	06/11/1989 M. CORBANI	A4 Dimensions in (mm)			Sheet 1/1	Coating		SEE DRAWING	
PQApp	30/11/2004 R.GONZALEZ					Color		SEE DRAWING	
App.	30/11/2004 M. CORBANI								
5		OPERATING FEATURES UPDATED							
No.	Reason for Revision			Date	19/10/2004	Name	A. CAPELLI		