

## Datasheet of In-Line Fuse Holder

RoHS

PART No.: C001-028-0009 ( For Blade Type Fuse) 857208  
C001-028-0008 ( For Mini Blade Type Fuse)

### 1. CONSTRUCTION



For Blade Type Fuse



For Mini Blade Type Fuse

### 2. FEATURES

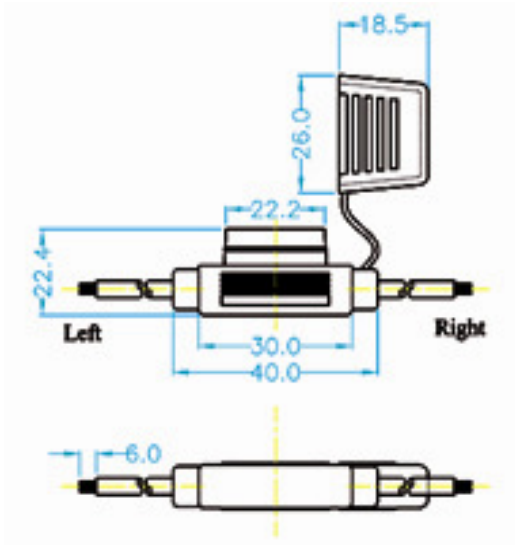
The In-Line Fuse Holder is designed for the Blade type /Mini Blade type Fuse on automobile and electrical industry.

- (1). Suitable Rated Current : 30A Max
- (2) Voltage Drop : 20mV
- (3). Dielectric Strength For 60 sec : AC 1500V Min ( Blade Fuse type)  
AC 1000V Min ( Mini Blade Fuse type)
- (4). Insertion & Extraction Force : 1Kg Min
- (5). Contact Resistance at 1A DC : 5mohm Max
- (6). Insulation Resistance at 500V DC : 100Mohm Min
- (7). Wire type : UL 1015 12# AWG/6" each end
- (8). Temperature rise : 50 C degree Max
- (9). Molded Parts : P.V.C
- (10). Terminals: Brass

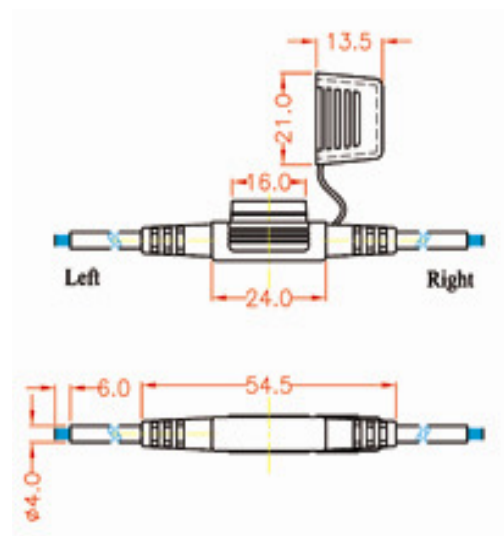
(11). Type : Water resistant type.

### 3. SPECIFICATIONS

#### 3-1 Outline Dimension



For Blade Type Fuse



For Mini Blade Type Fuse

### 4. PACKAGE



Packing size:8.5x12cm  
For Blade Type Fuse



Packing size:8.5x12cm  
For Mini Blade Type Fuse