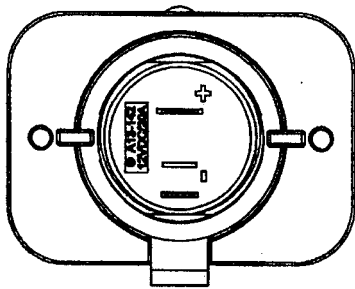
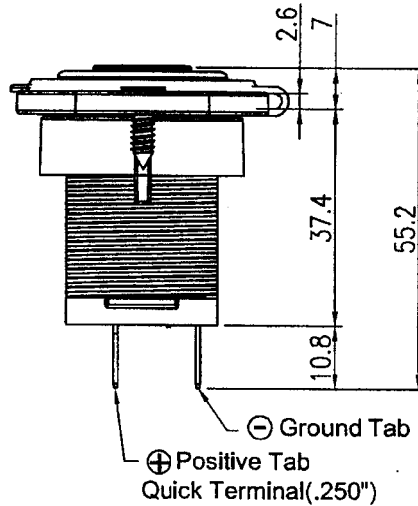
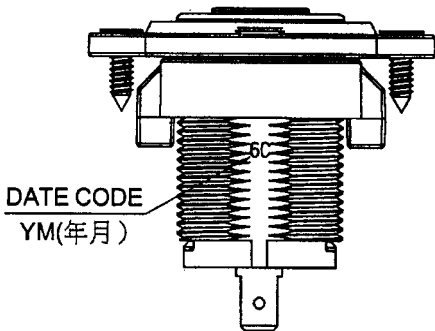
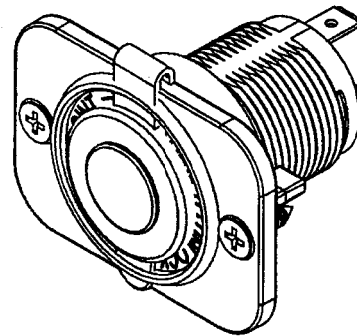
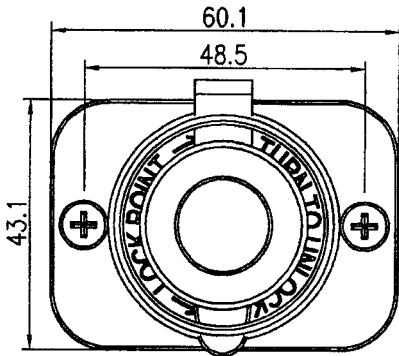


Rating	12/24V DC 20A max.	<div style="text-align: center;"> Mounting Hole </div>
Insulation Resistance	DC 500V 100M ohm Min.	
Dielectric Strength	AC 1500V 1minute	
Operation Temperature	-20°C~85°C	



Description:

- * Water proof sealing cap
- * SeaLink locking system
- * Easy to install, with supplied mounting plate for front panel installation, or locking ring for rear access installation
- * Mounting plate in optional
- * Compatible with standard DC plugs

Tolerances ± 0.2 Unless Otherwise Specified

						△
						△
Date	Name	Description				No.
Drawn	Checked	Approved	BOM No.	1250904	Model Name	SeaLink CLA Socket
劉嘉麗	叶志伟	Simon	Customer No.		Model No.	A13-142AP-BB1
03/10/16	3/11/16	3/11/16	Unit	mm		Rev. 0