



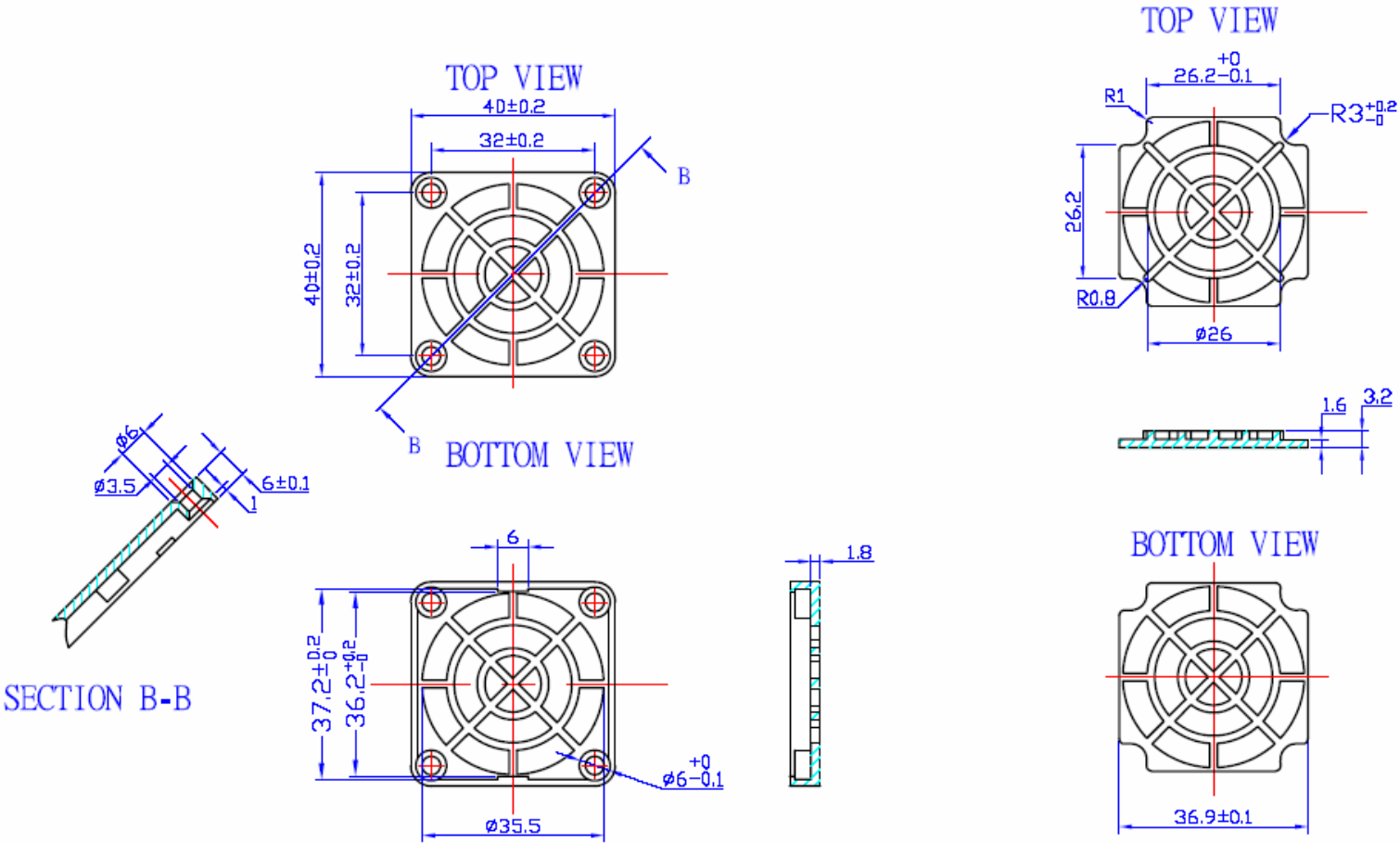
product specification

Customer name	
Product	FAN Filter
Designed for	
Part no.	GRM40-30
Issue date	2010/03/16
Spec No.	
Version	V1.0

PRODUCT SPECIFICATION

ITEM		(Specification/Condition)
01	Part No.	GRM40-30
02	Outline	40*40*6.0mm
03	Weight	4 g
04	Material	ABS-757
05	Color	Black

REVISIONS			
REV	DESCRIPTION	APPROVED	DATE
A	RELEASE		



AKASA ASIA CORPORATION	APR.		RANGE	TOLERANCE								
	CHK.		SCALE.	0-5	±0.10MM							
TYPE	DRW.	UNIT.	>5-30	±0.20MM								
TITLE FAN Filter			>30-100	±0.30MM								
P/N GRM40-30			>100-200	±0.50MM								
			ANGLE	±1°	NO	PART NAME	PART NAME	QTY	MATERIAL	FINISH	WEIGHT	