

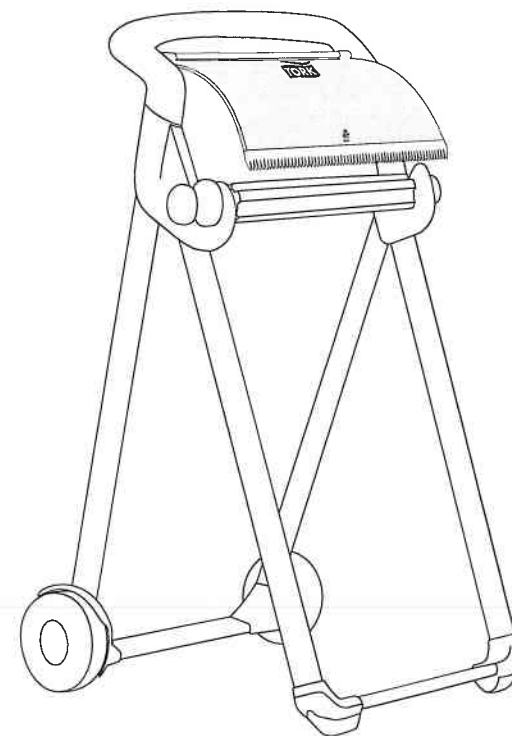
European Community Design Registration RCD 001149447



Performance

Floor Stand

Wiper / Cloth
Roll / Combi Roll
W1 System



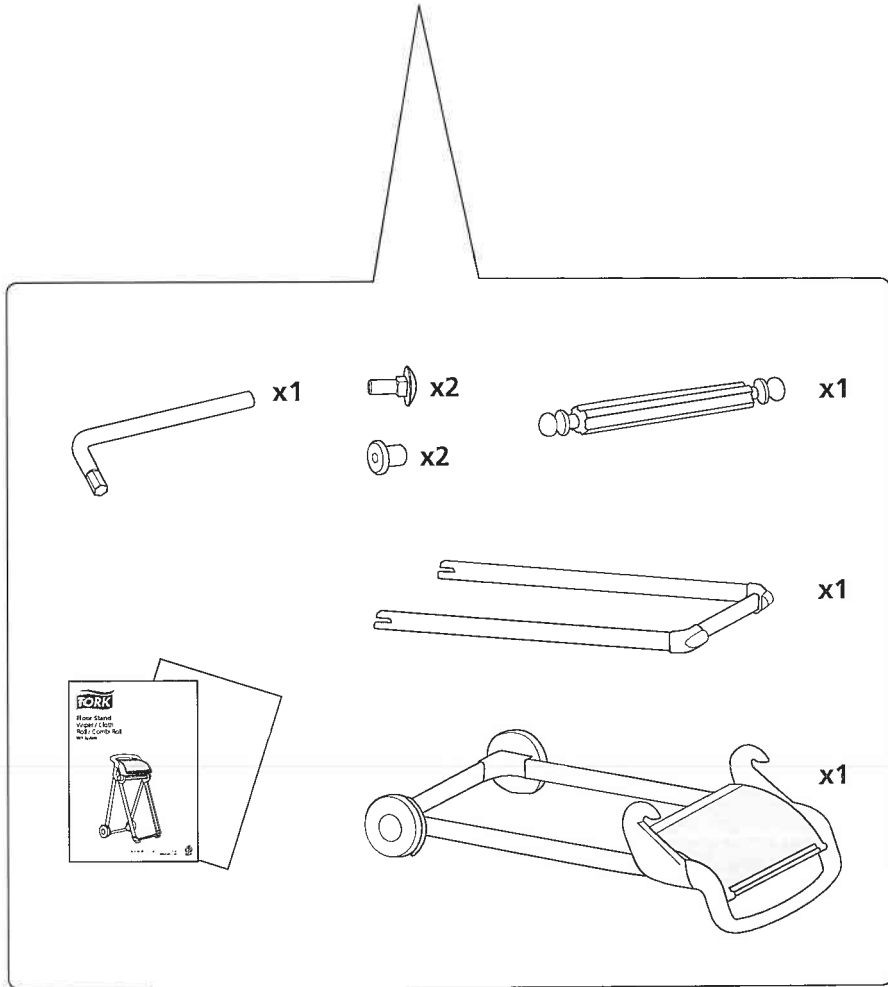
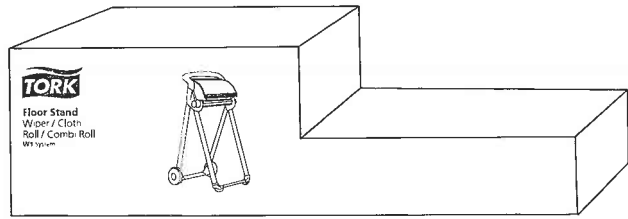
art Nr. 652 000 - 008

Manufactured by SCA, SE-405 03 Göteborg, Sweden
www.sca-tork.com

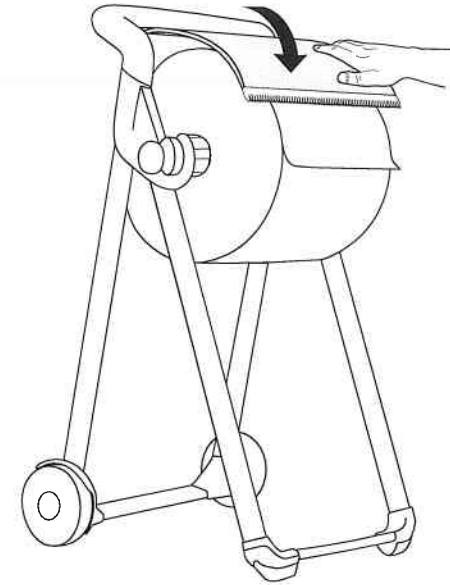


Manufactured by SCA, SE-405 03 Göteborg, Sweden
www.sca-tork.com

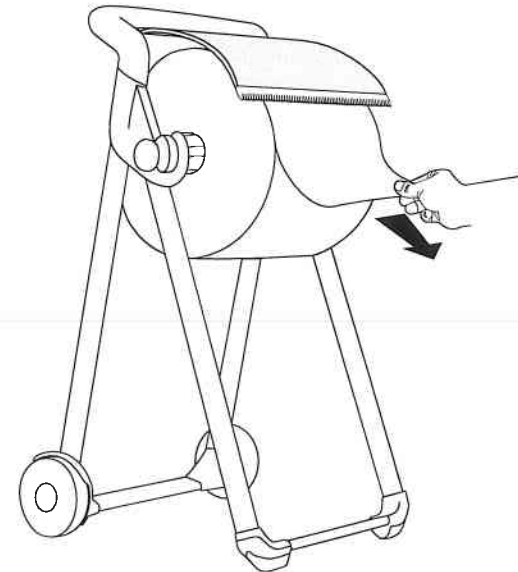




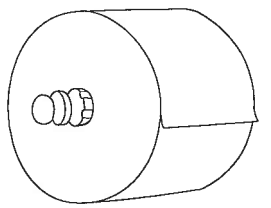
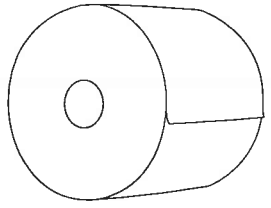
5.



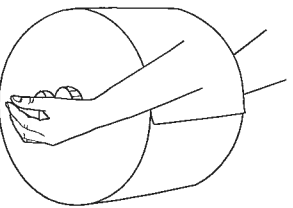
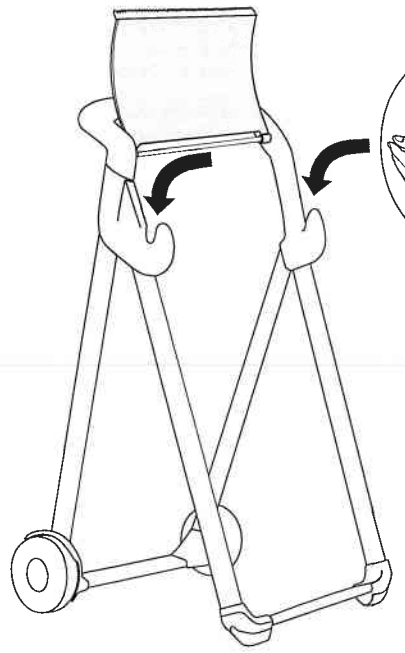
6.



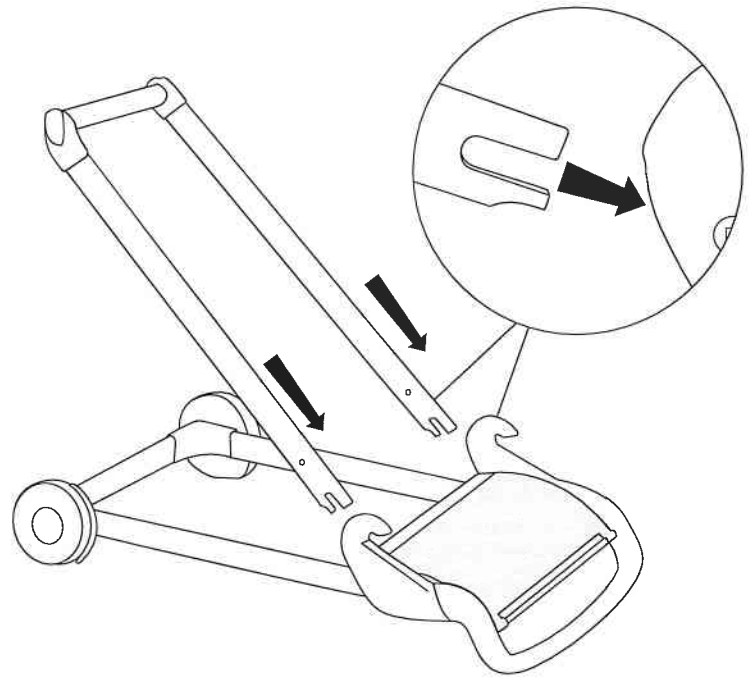
3.





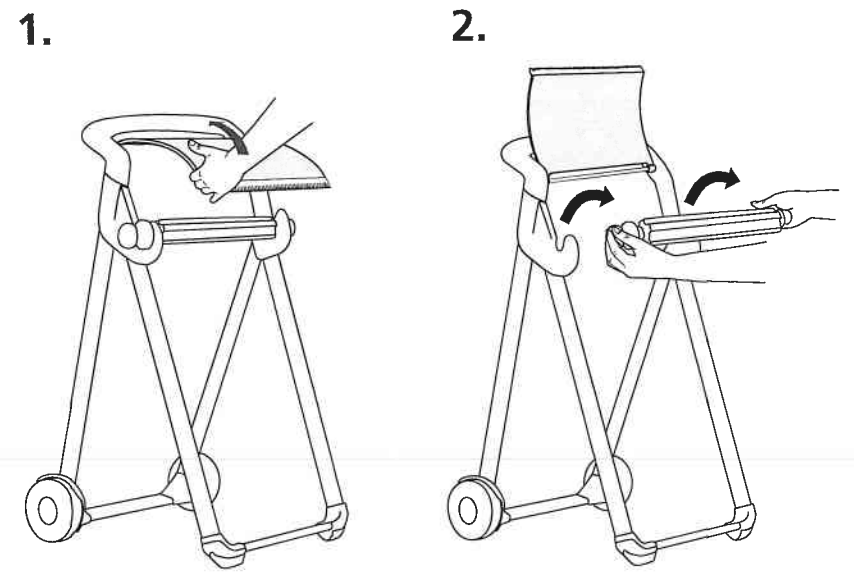
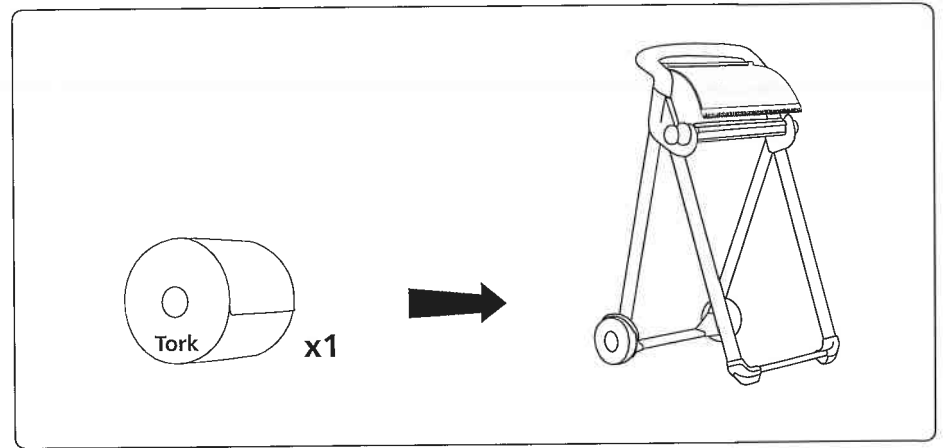
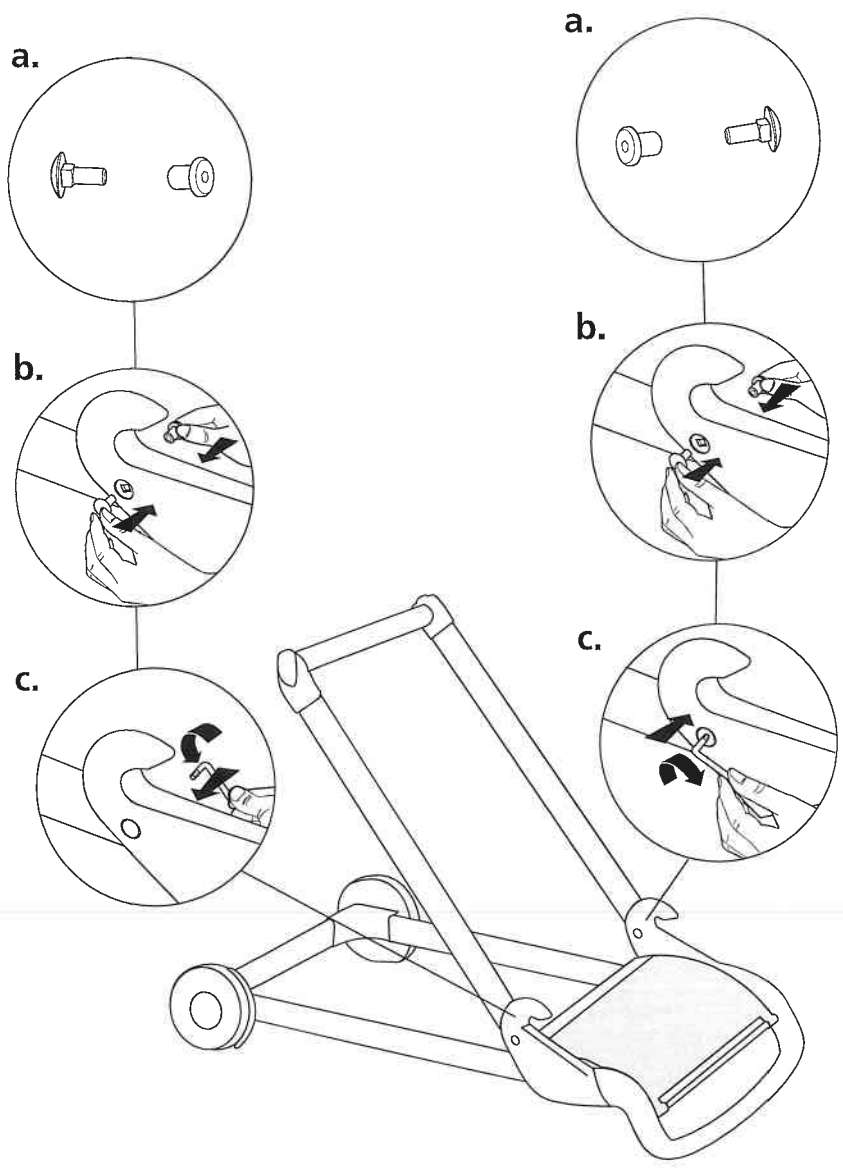
4.



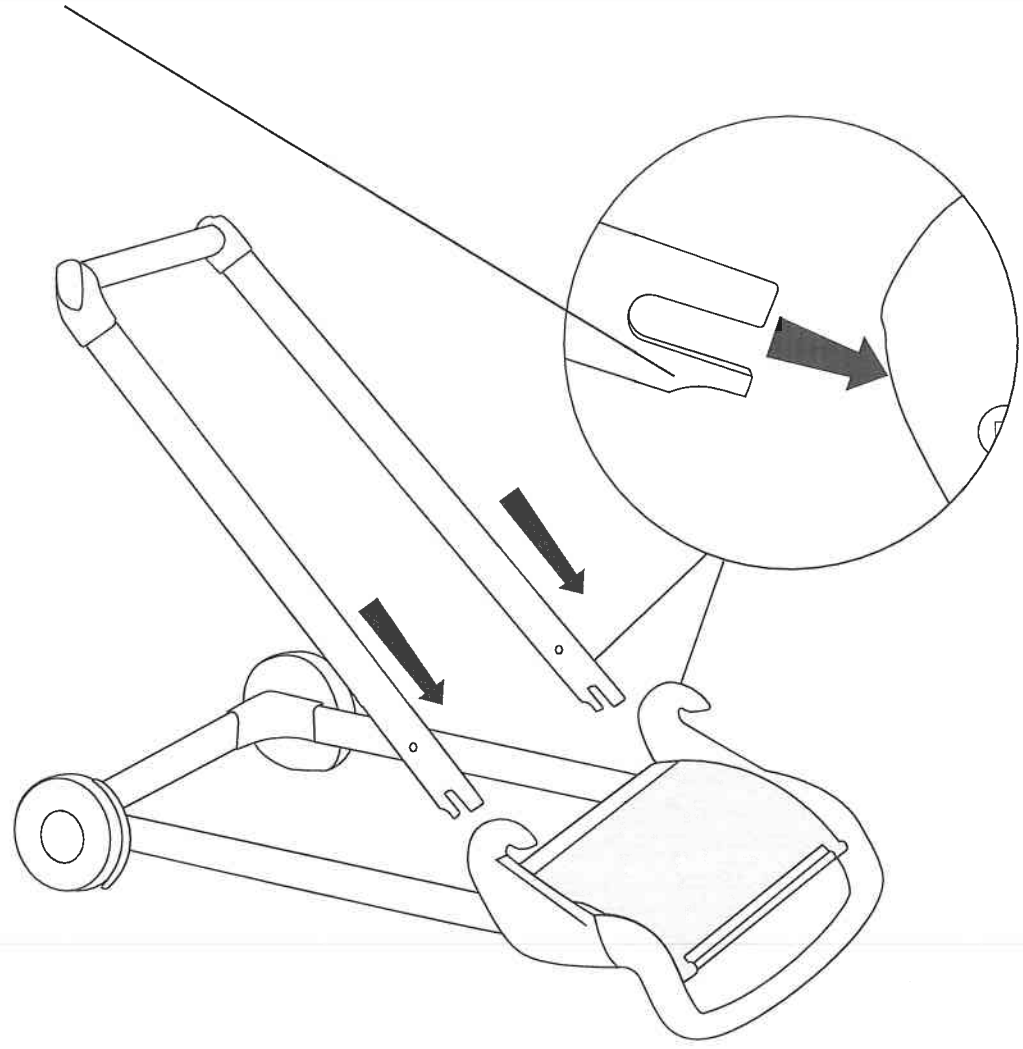
1.



2.  x2
 x2



Chamfered side down

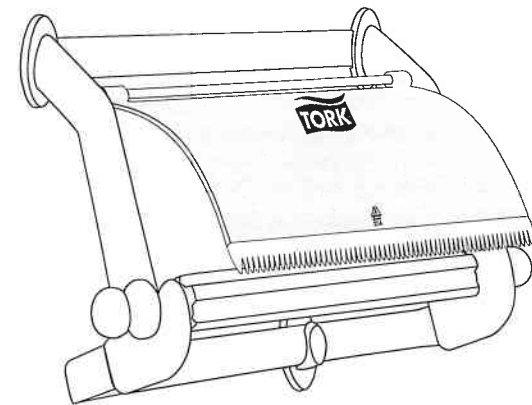


European Community Design Registration RCD 001149447

TORK® Performance

Wall Stand

Wiper / Cloth
Roll / Combi Roll
W1 System



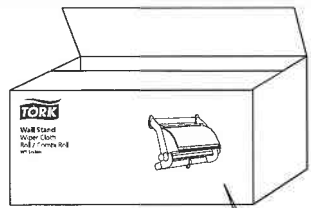
art Nr. 652100
- 08

Manufactured by SCA, SE-405 03 Göteborg, Sweden
www.sca-tork.com

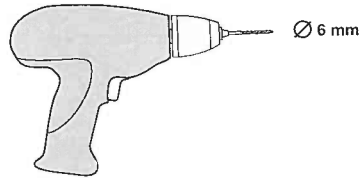
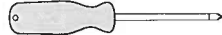


Manufactured by SCA, SE-405 03 Göteborg, Sweden
www.sca-tork.com

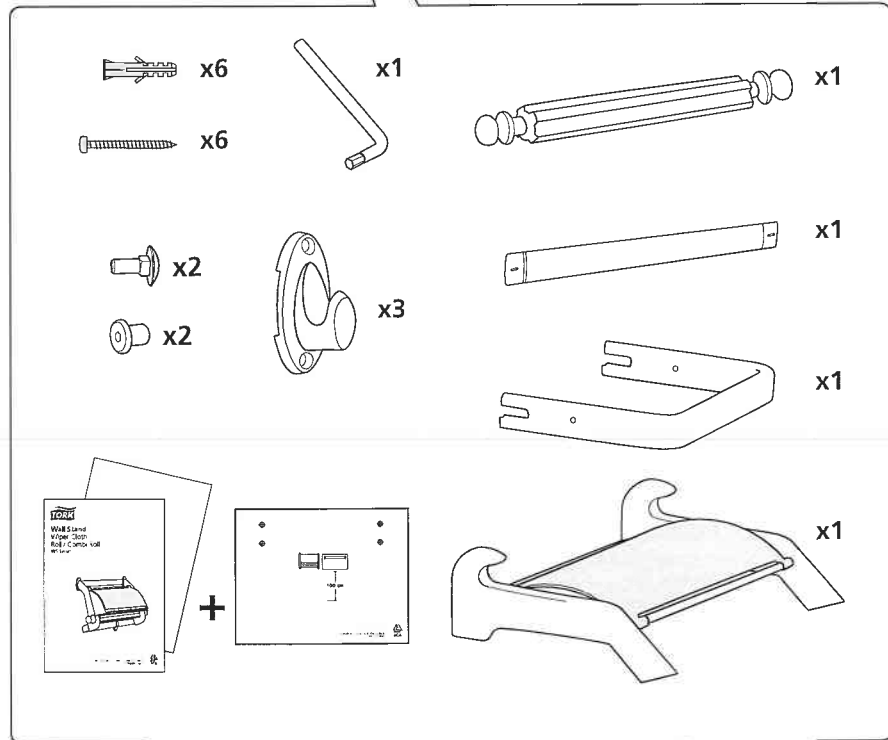
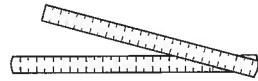




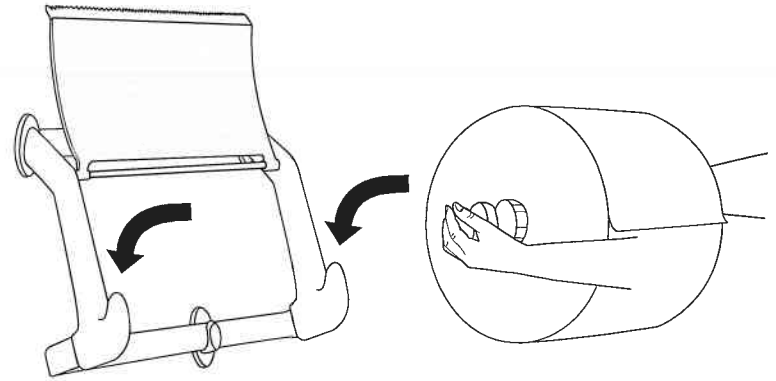
+



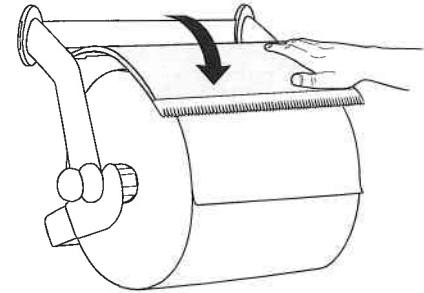
Ø 6 mm



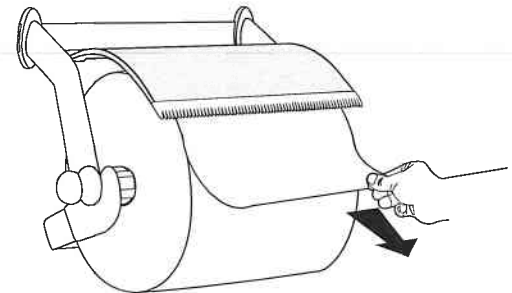
3.

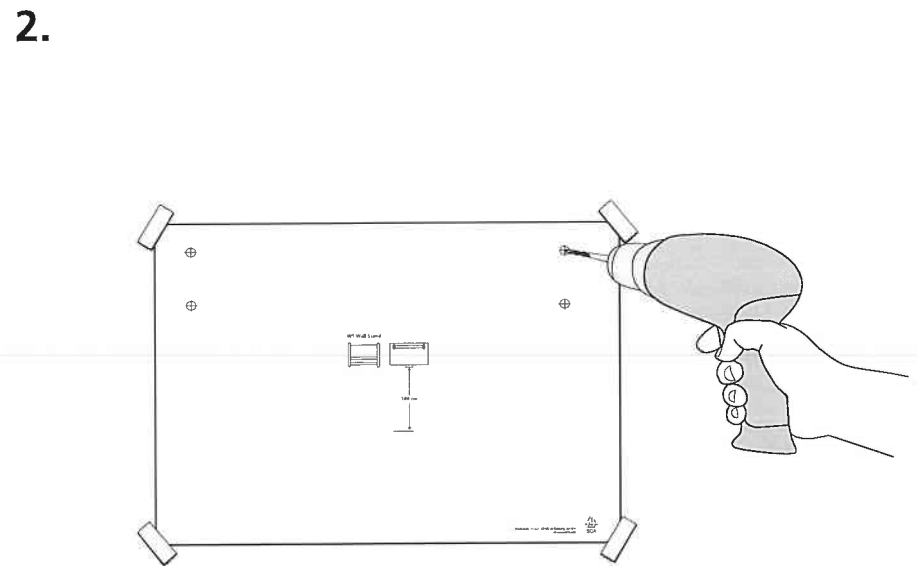
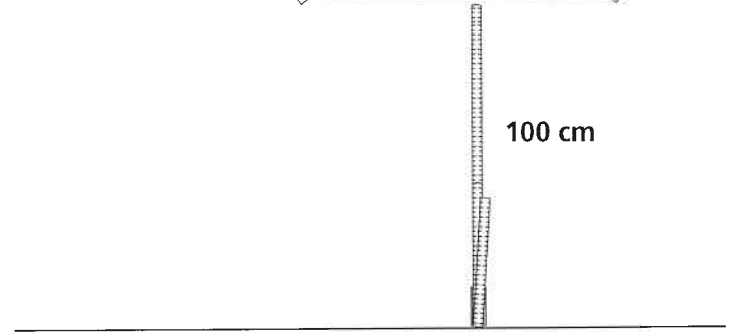
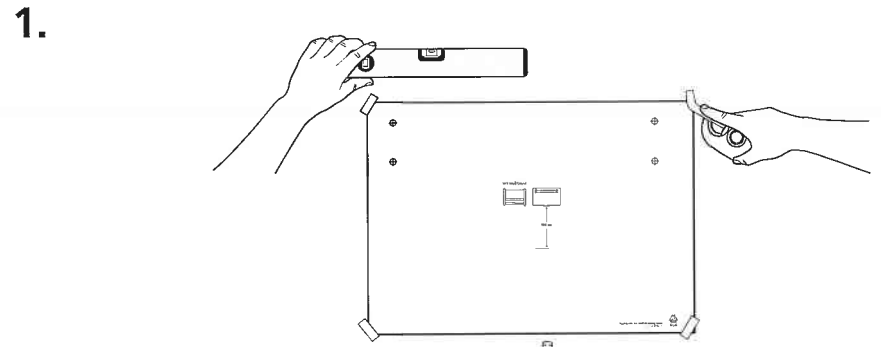
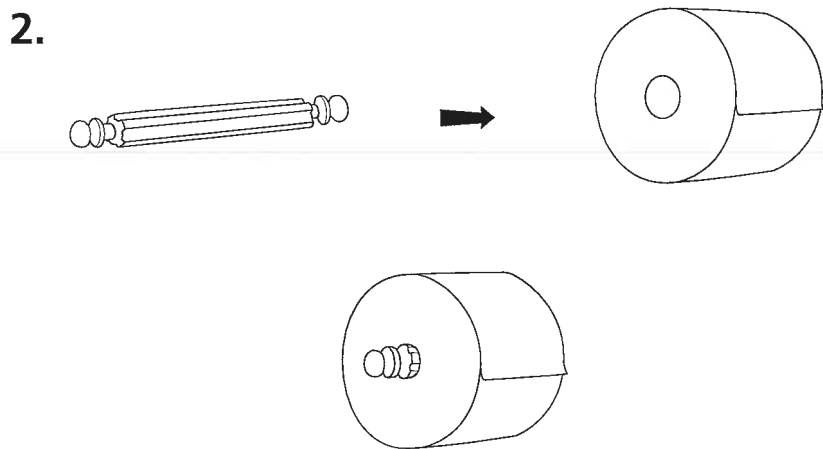
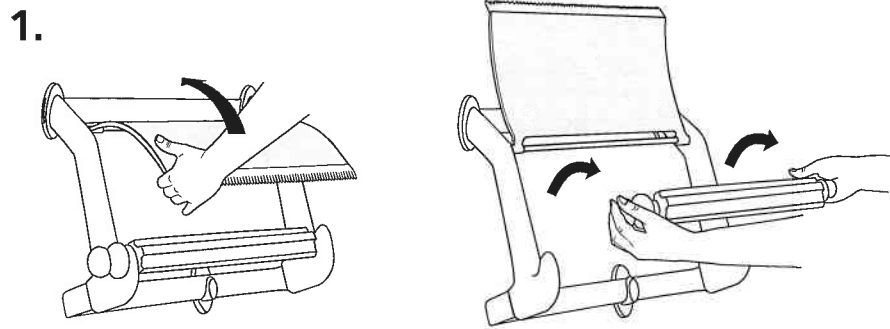
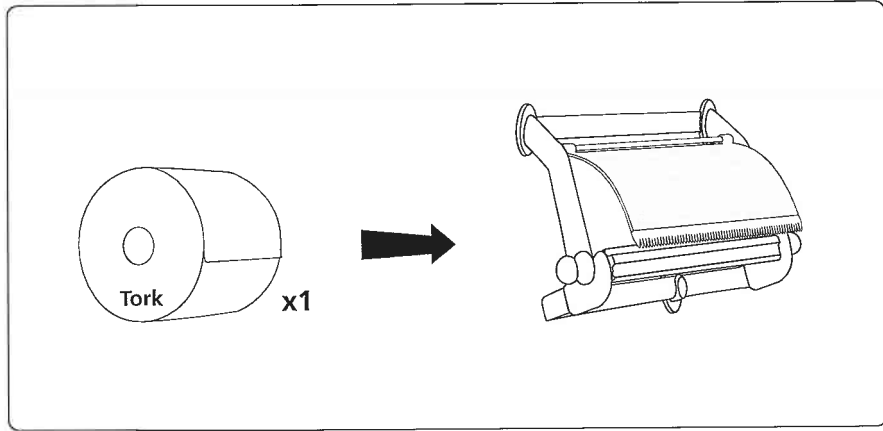


4.

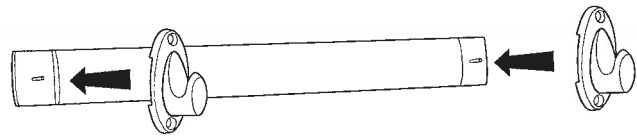


5.

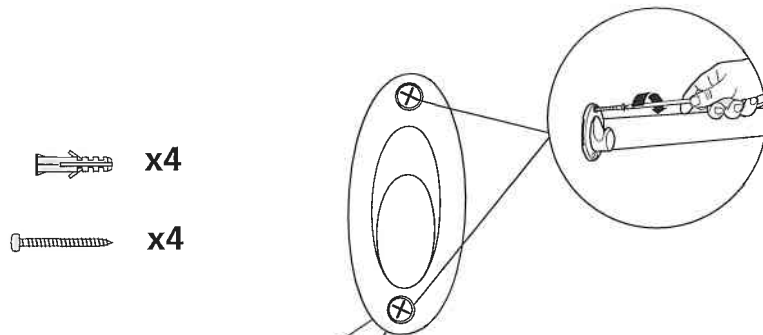




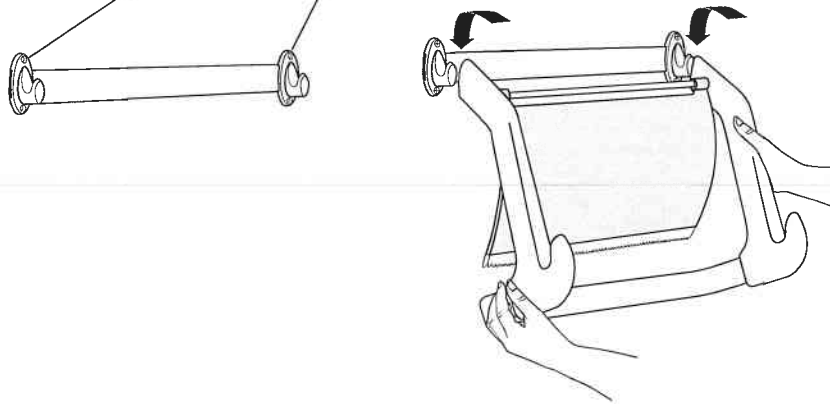
1.



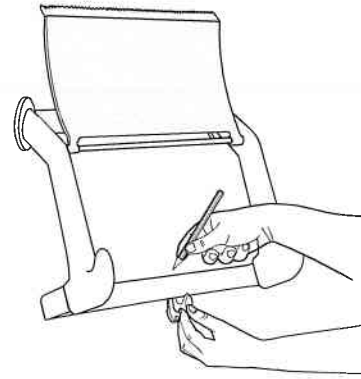
2.



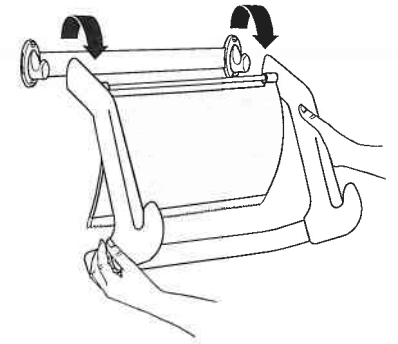
3.



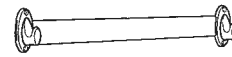
4.



5.



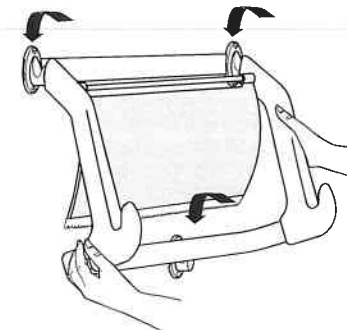
6.



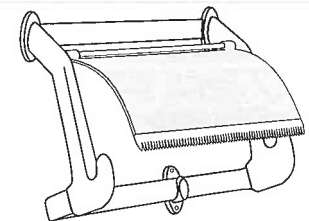
7.



8.

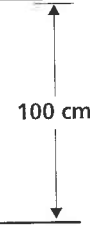
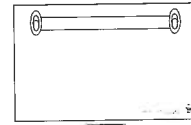
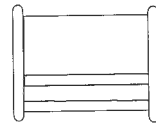


9.





W1 Wall Stand



100 cm