

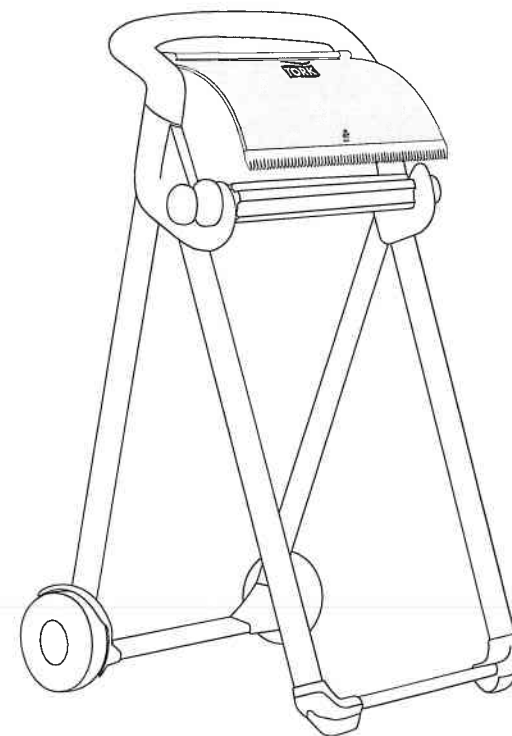
European Community Design Registration RCD 001149447



Performance

# Floor Stand

Wiper / Cloth  
Roll / Combi Roll  
**W1** System



art Nr. 652 000

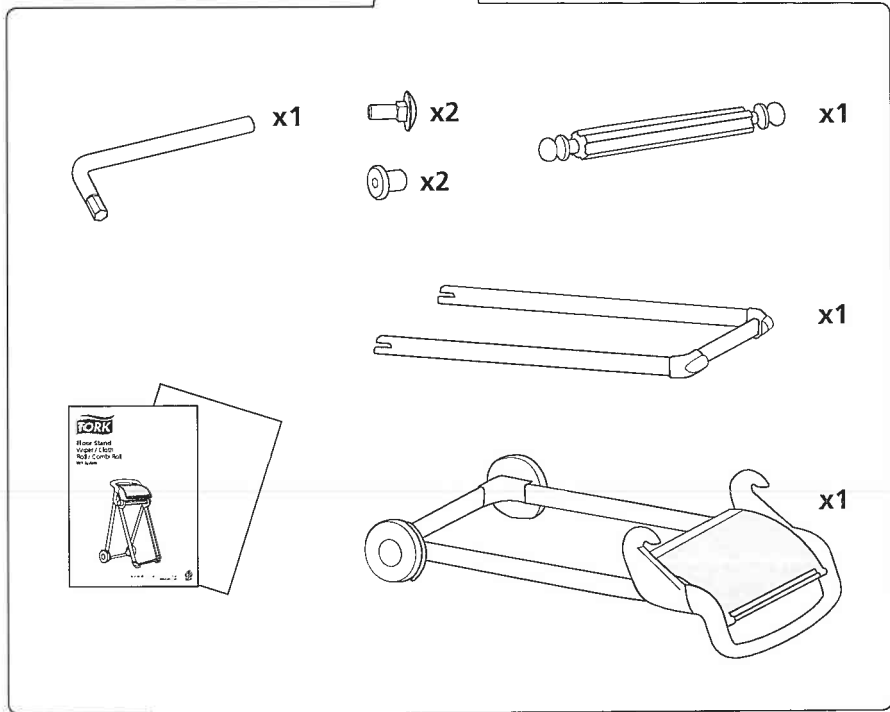
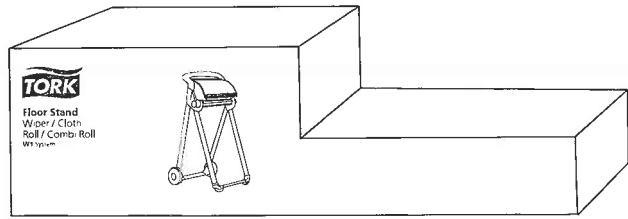
- 008

Manufactured by SCA, SE-405 03 Göteborg, Sweden  
[www.sca-tork.com](http://www.sca-tork.com)

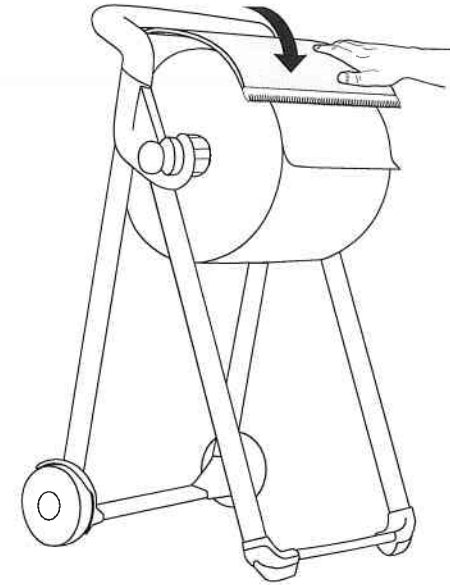


Manufactured by SCA, SE-405 03 Göteborg, Sweden  
[www.sca-tork.com](http://www.sca-tork.com)

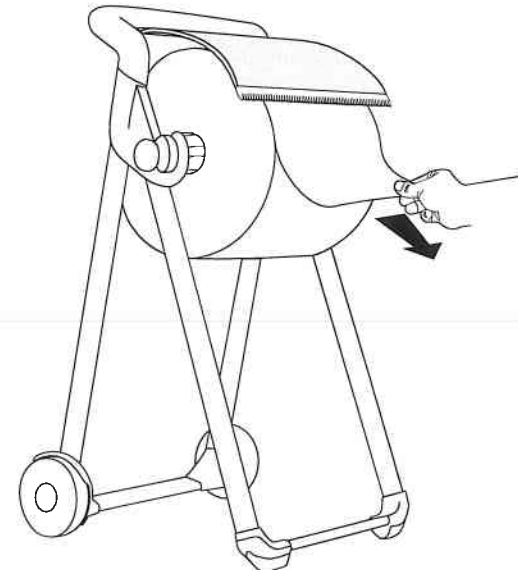




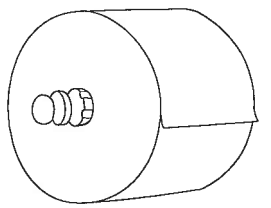
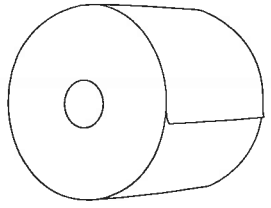
5.



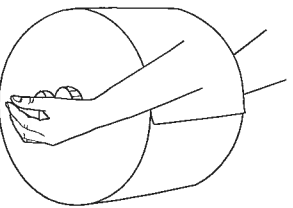
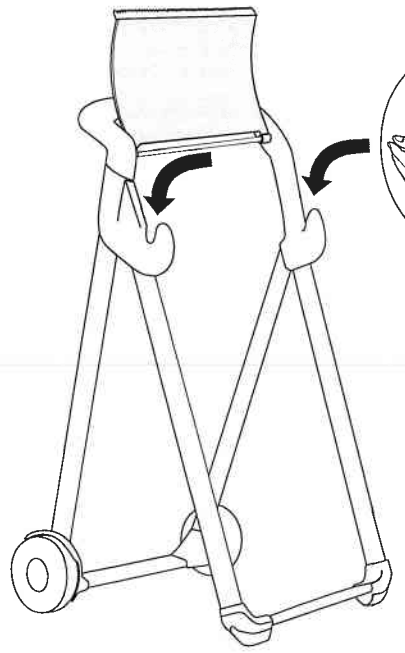
6.



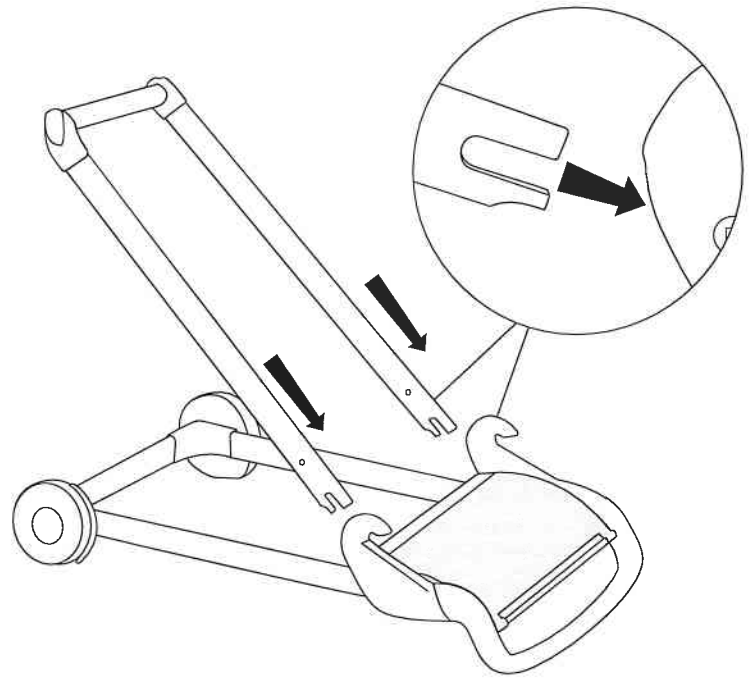
3.





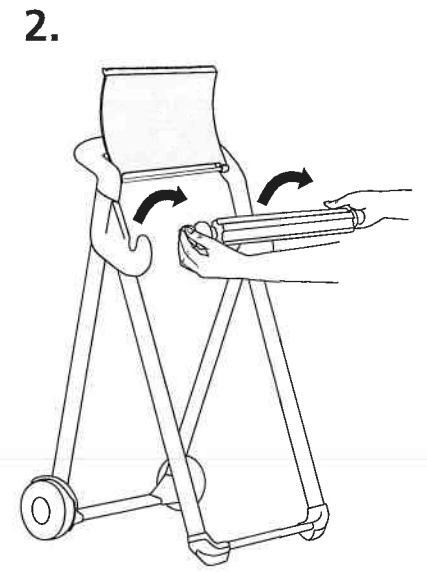
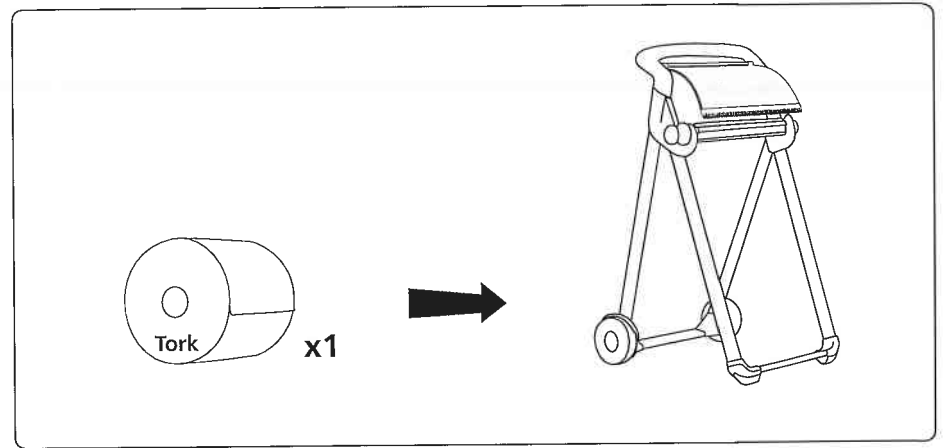
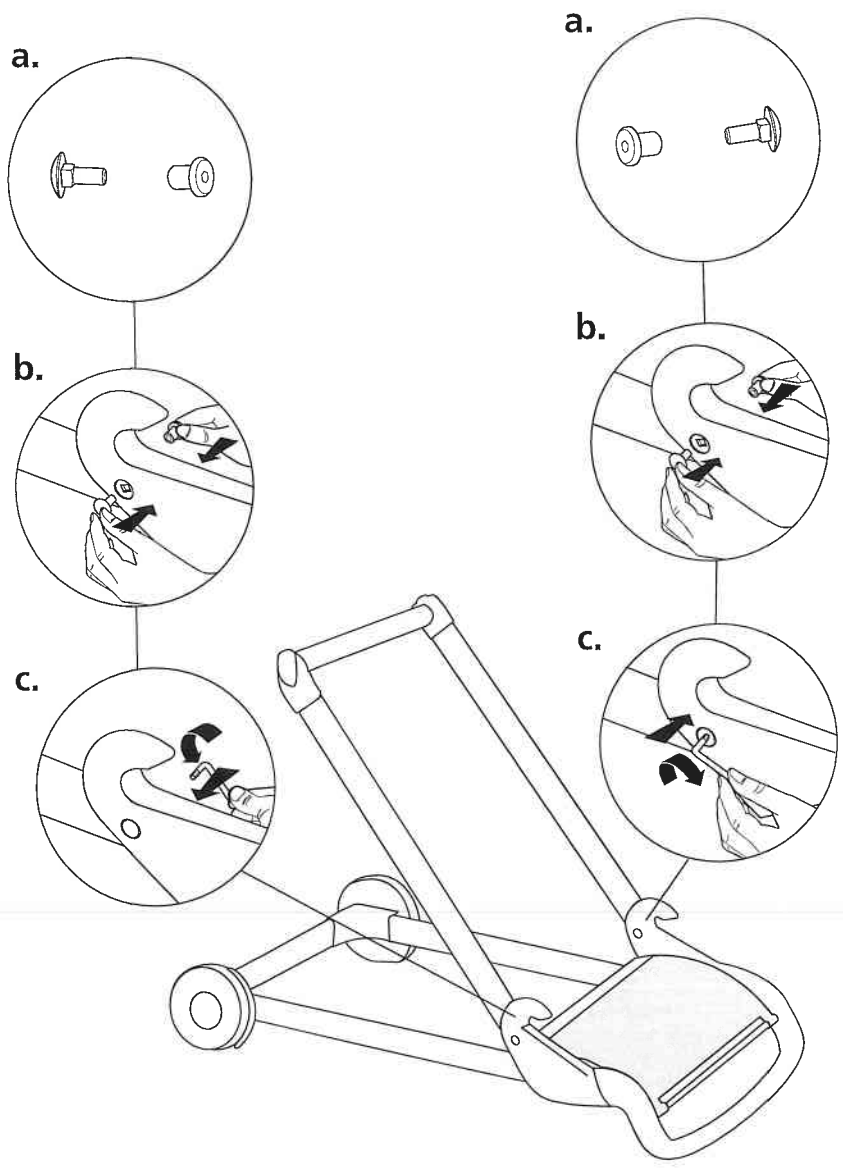
4.



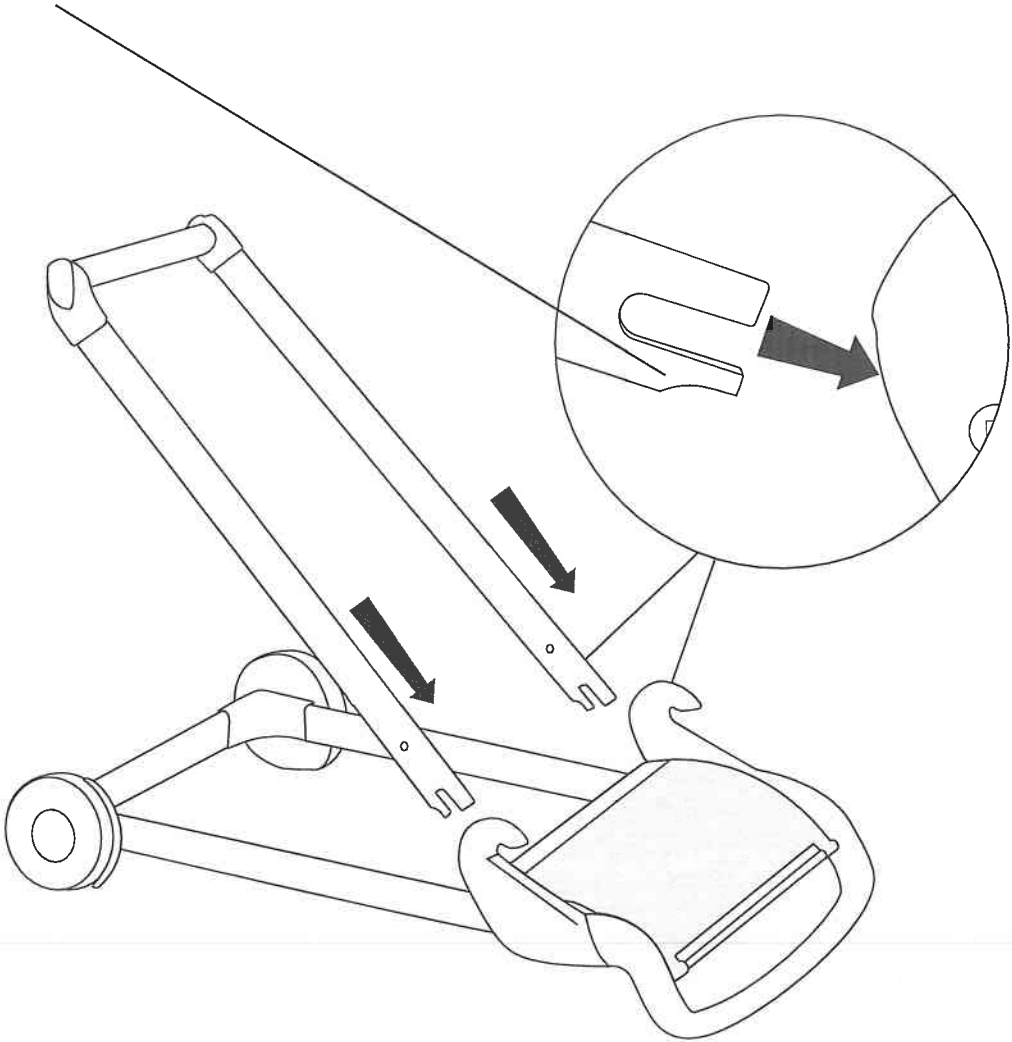
1.



2.  x2  
 x2



# Chamfered side down

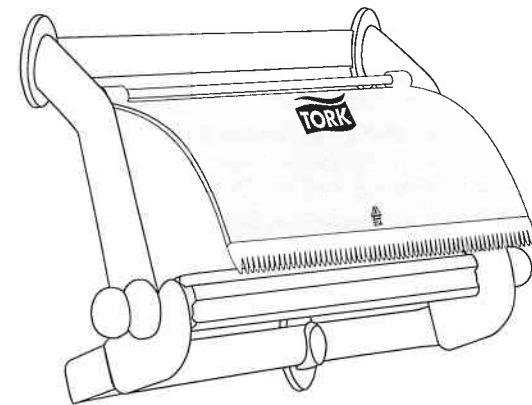


European Community Design Registration RCD 001149447

**TORK®** Performance

# Wall Stand

Wiper / Cloth  
Roll / Combi Roll  
**W1** System



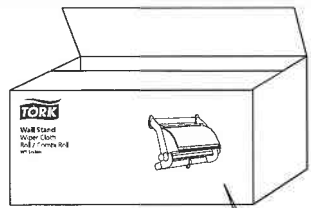
art Nr. 652100  
- 08

Manufactured by SCA, SE-405 03 Göteborg, Sweden  
[www.sca-tork.com](http://www.sca-tork.com)

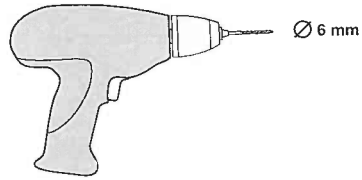
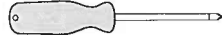


Manufactured by SCA, SE-405 03 Göteborg, Sweden  
[www.sca-tork.com](http://www.sca-tork.com)

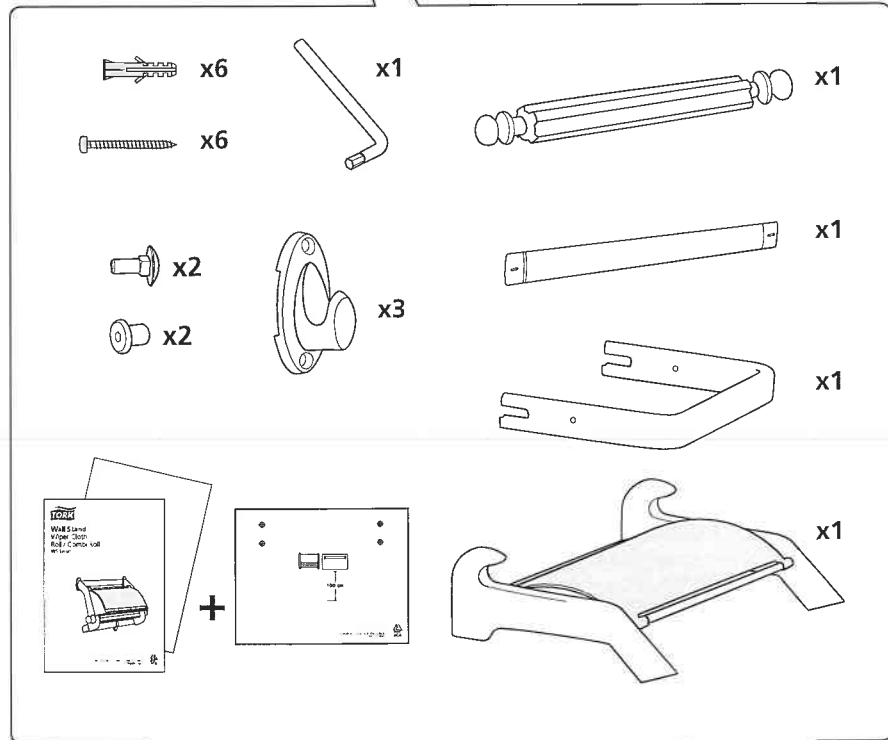
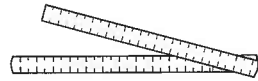




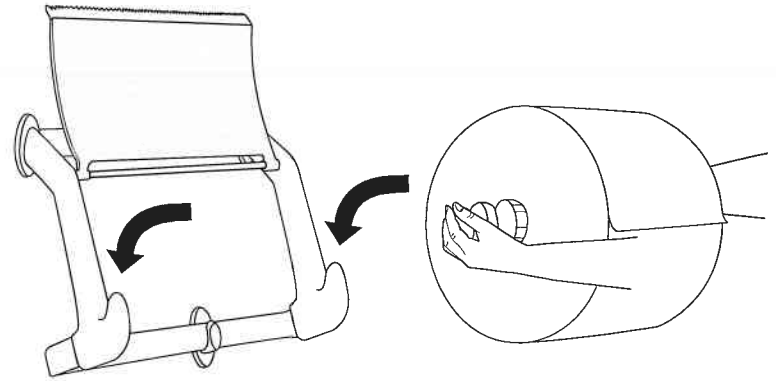
+



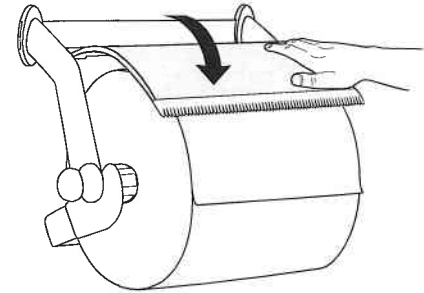
Ø 6 mm



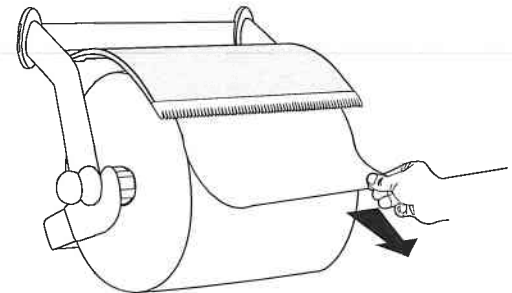
3.

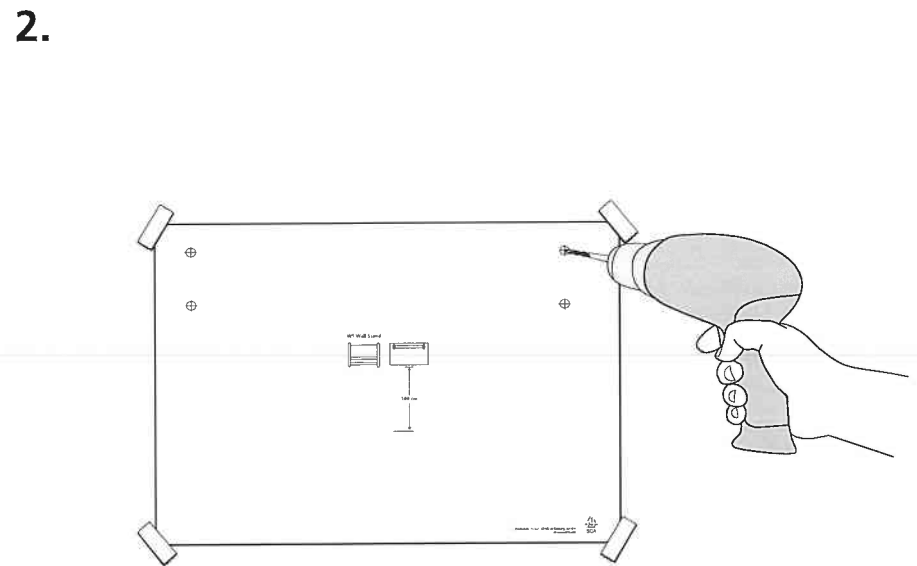
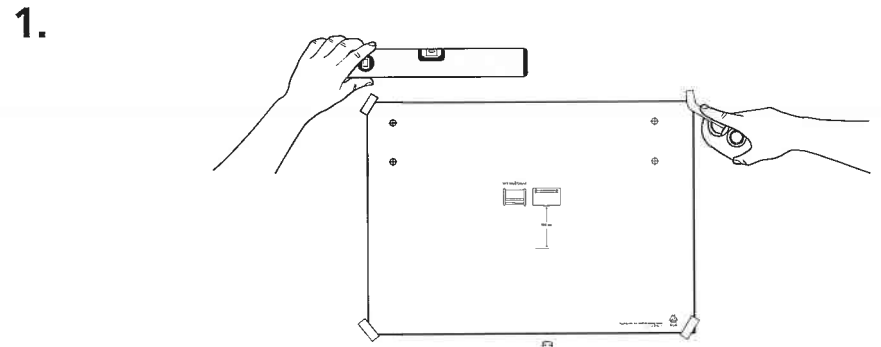
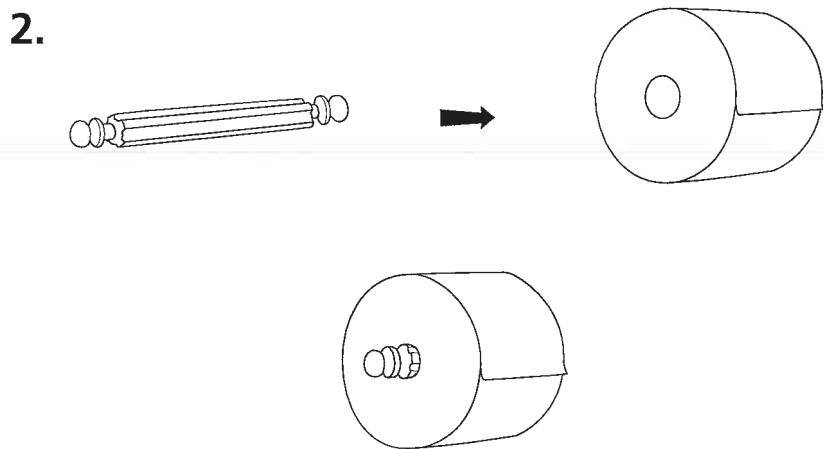
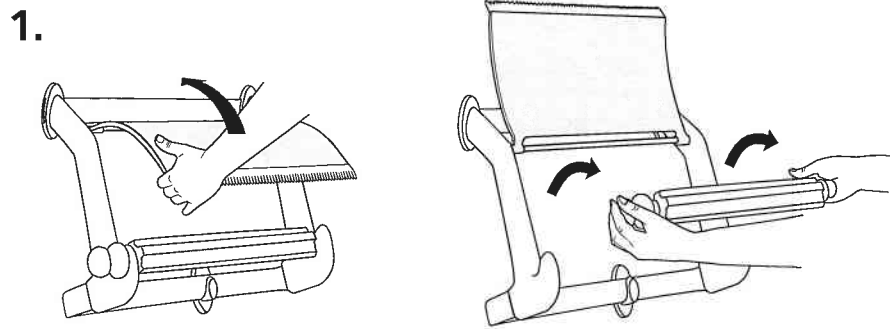
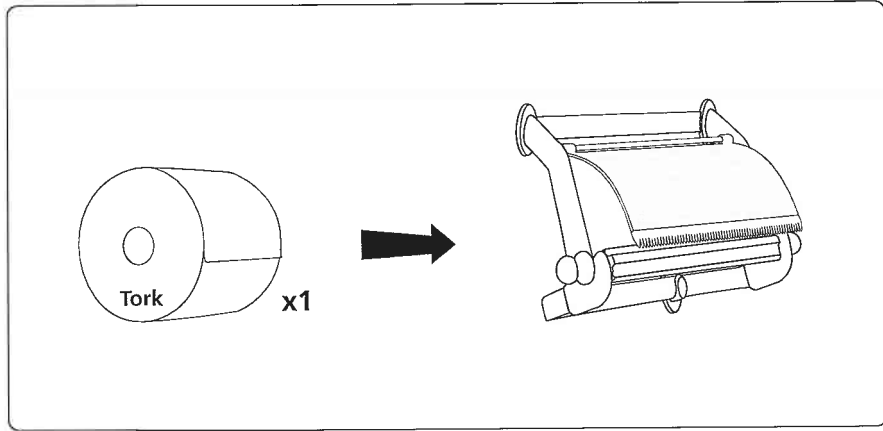


4.



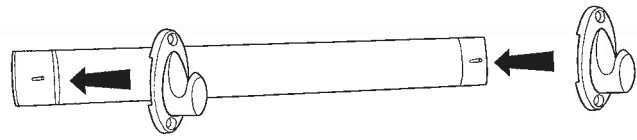
5.



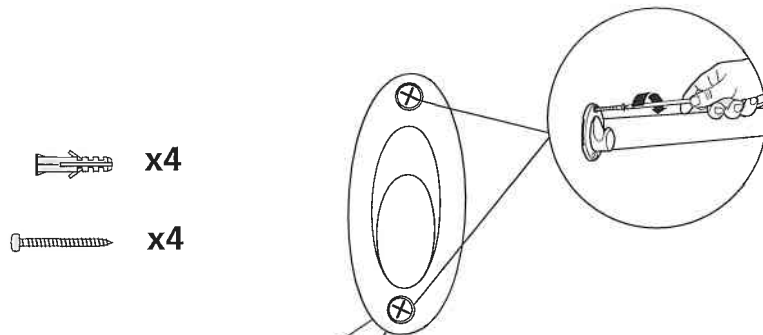




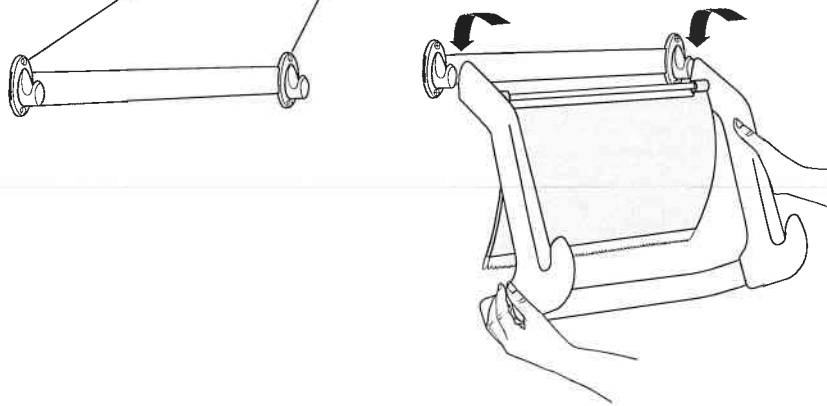
1.



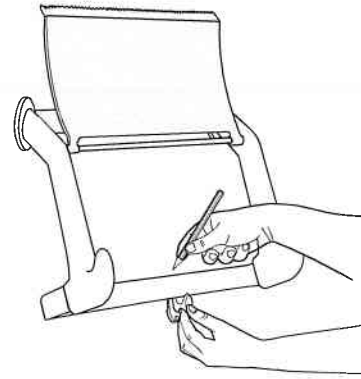
2.



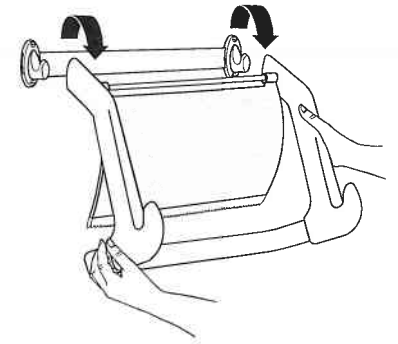
3.



4.



5.



6.



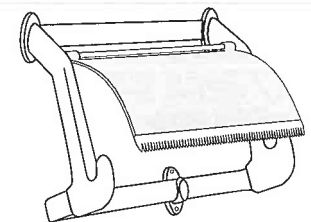
7.



8.

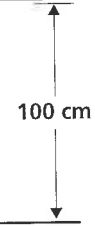
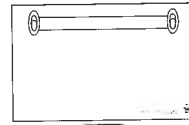
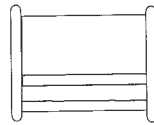


9.





**W1 Wall Stand**



100 cm