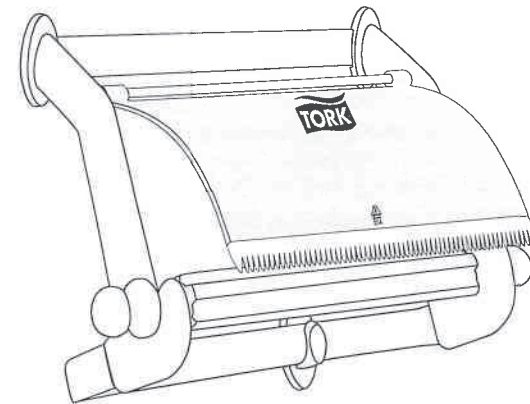


European Community Design Registration RCD 001149447

**TORK®** Performance

# Wall Stand

Wiper / Cloth  
Roll / Combi Roll  
**W1** System



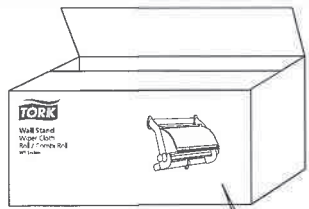
art Nr. 652100  
- 08

Manufactured by SCA, SE-405 03 Göteborg, Sweden  
[www.sca-tork.com](http://www.sca-tork.com)

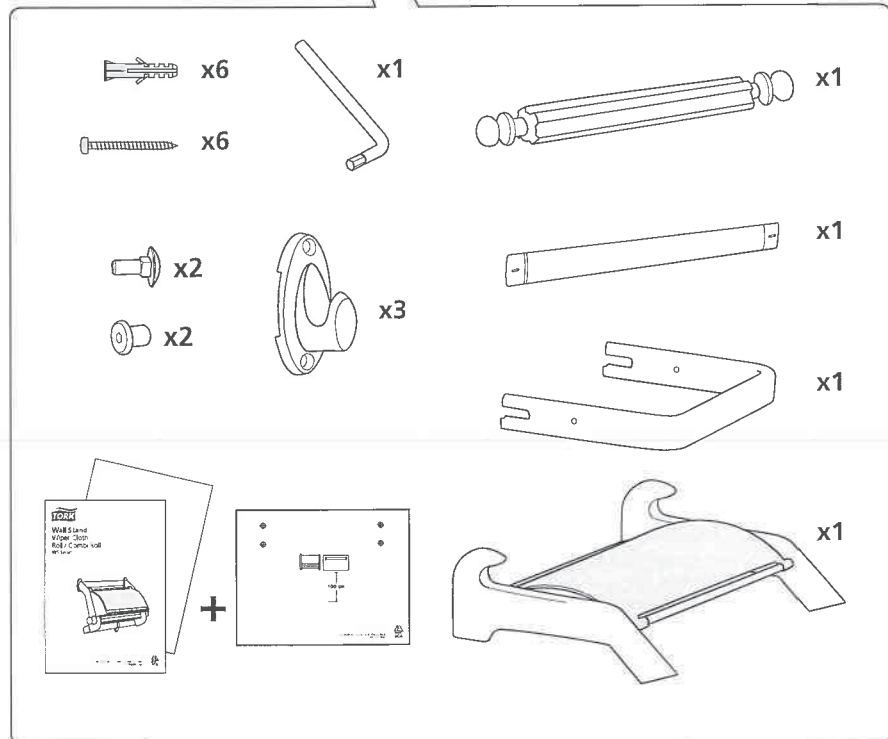
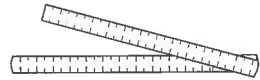
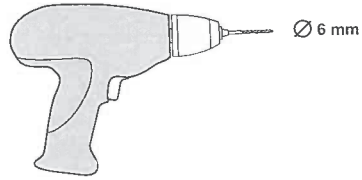


Manufactured by SCA, SE-405 03 Göteborg, Sweden  
[www.sca-tork.com](http://www.sca-tork.com)

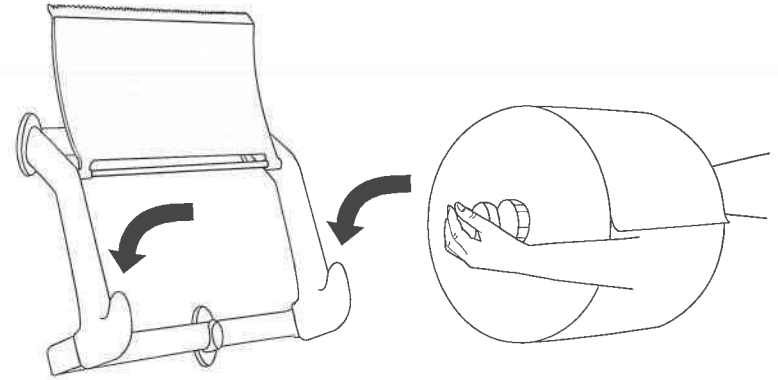




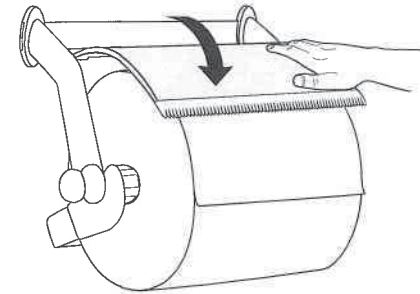
+



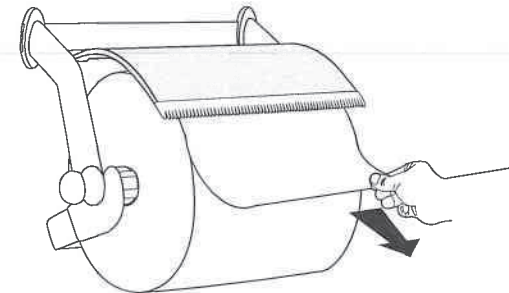
3.

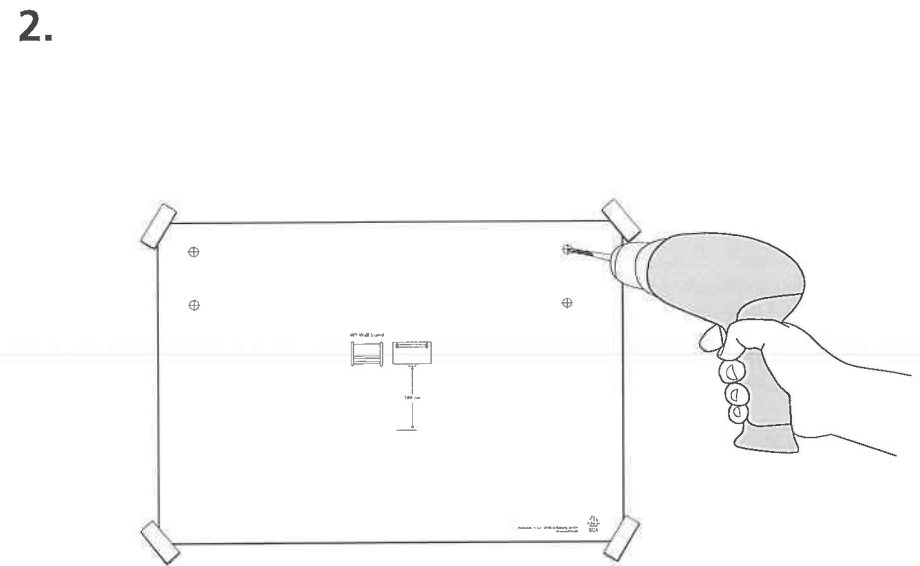
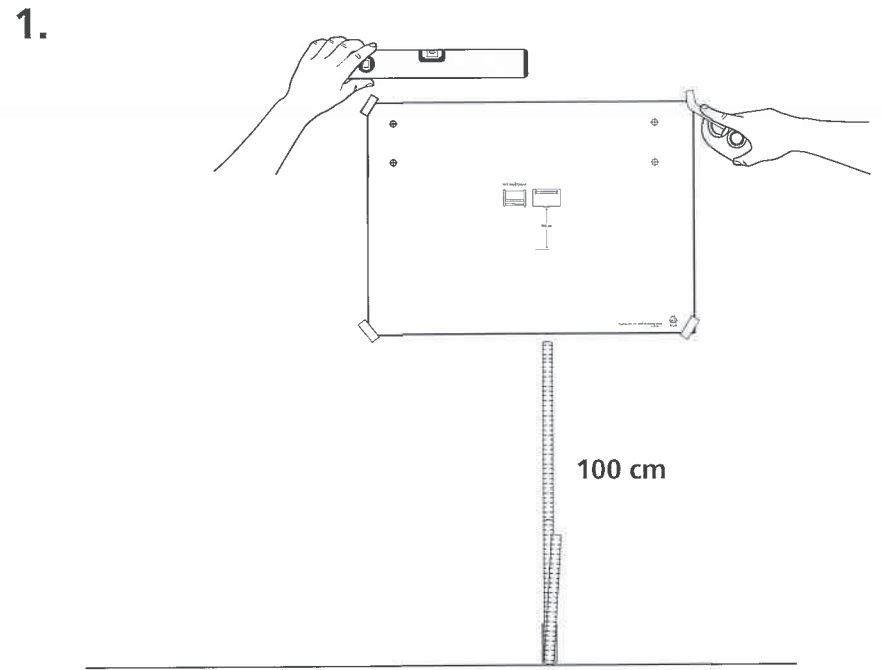
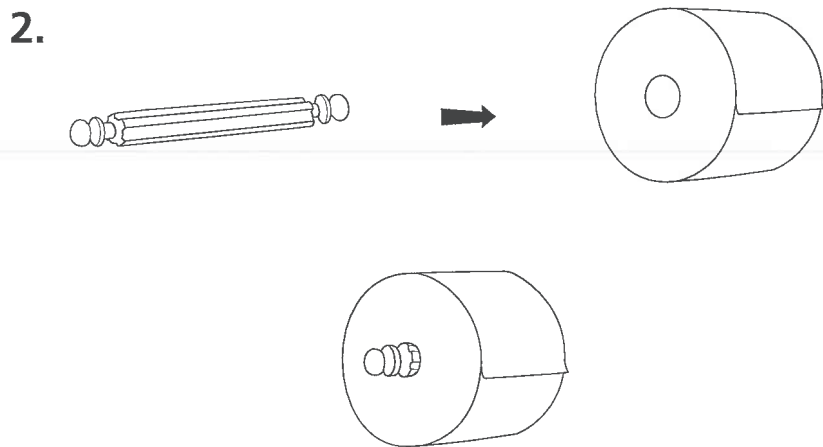
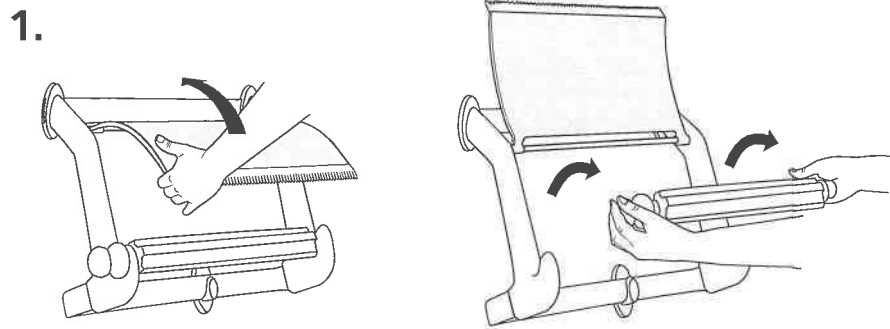
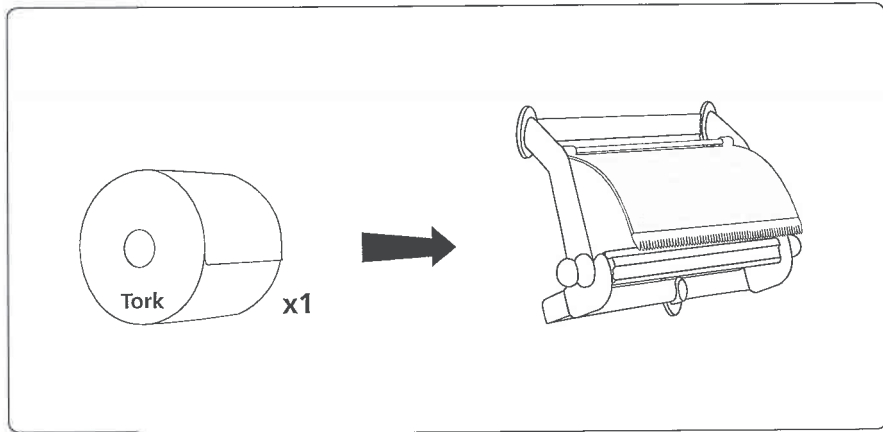


4.

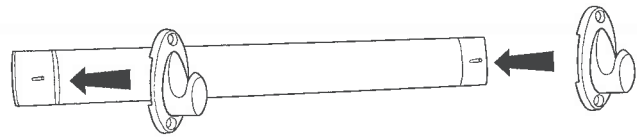


5.





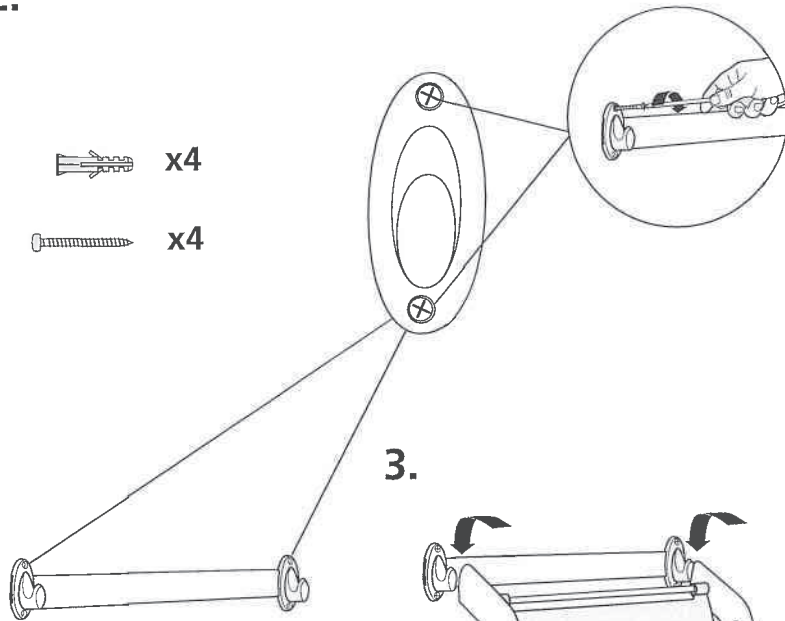
1.



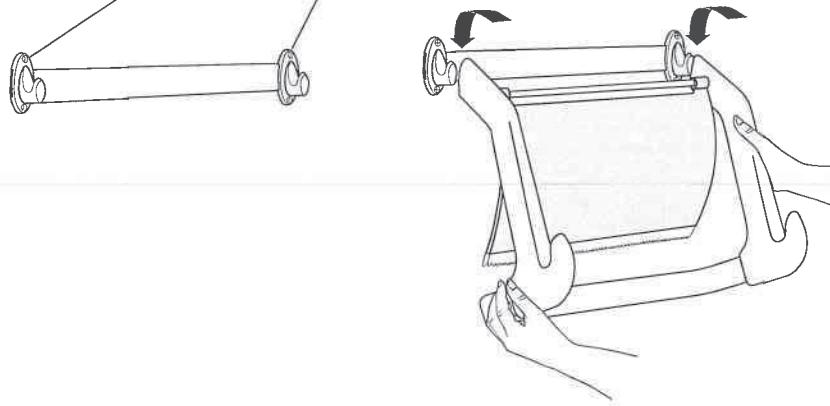
2.

 x4

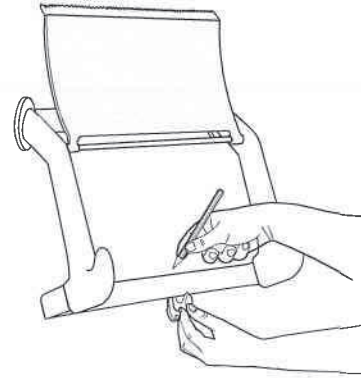
 x4



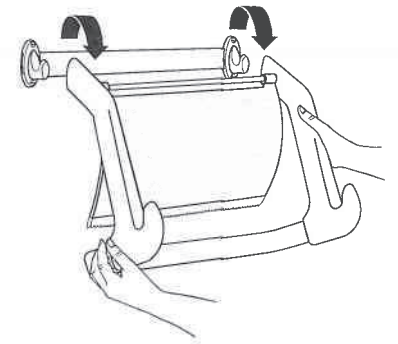
3.



4.



5.



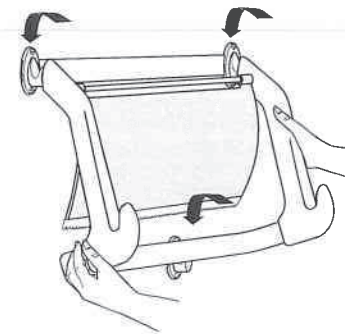
6.



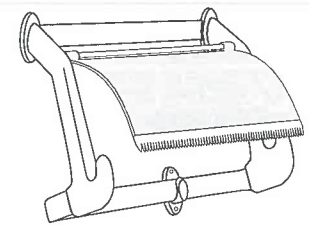
7.



8.

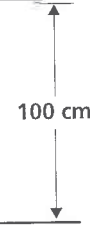
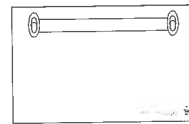
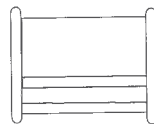


9.





**W1 Wall Stand**



100 cm