

“EASY MOUNT”

ASSEMBLY AND INSTALLATION MANUAL

MODEL DIY 1

WARNING: Maximum width of satellite antenna, 750 mm and a maximum load of 8 kg. Fits window openings of 800 mm to 1200 mm.

Please read this instruction manual prior to assembly. Improper installation can result in personal injury, or property damage.

The following symbol is used in this manual:

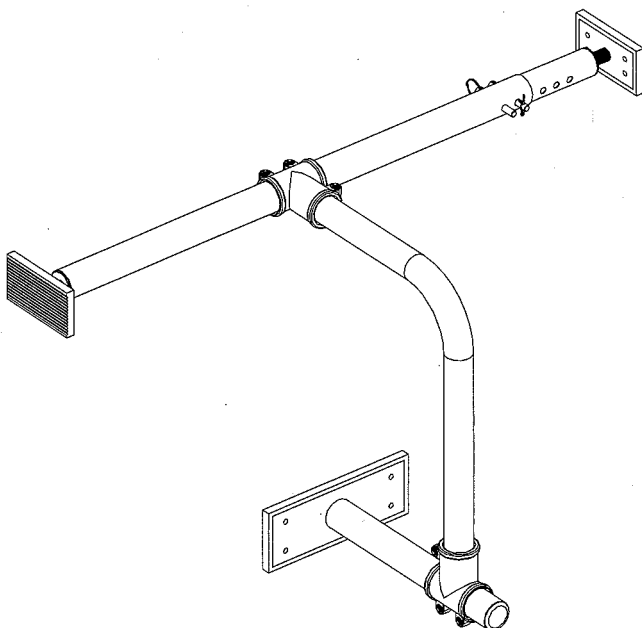


Denotes risk which if neglected may result in an unsafe installation.

If you do not feel comfortable installing the unit, contact your local service Dealer to have unit professional installed. If a problem arises that a Proper or safe installation is not possible then the Easy Mount must be screwed on to the wall, through the 4 holes provided on the left (2) and on the right (9) support brackets.

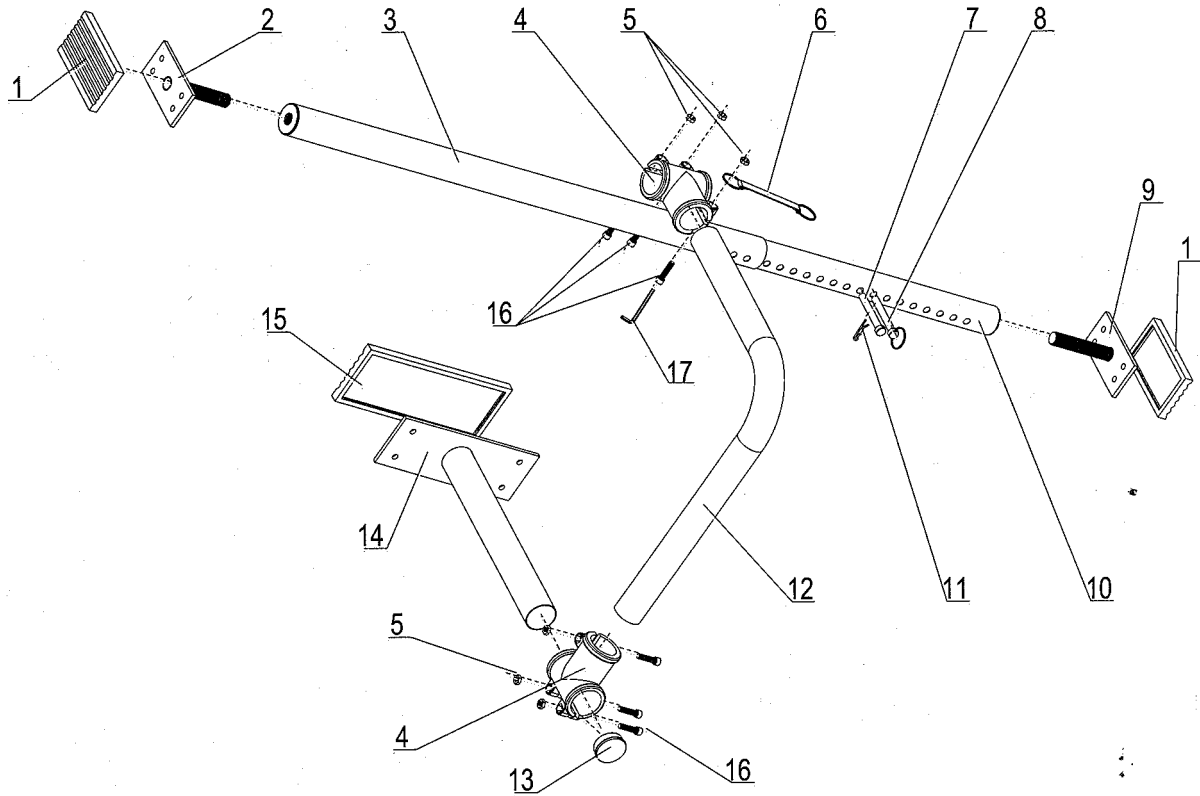
Recommended Tools for Installation and Assembly:

“EASY MOUNT” is a fully Do it Yourself kit, requiring no tooling other than spanner, which is included.



"EASY MOUNT"

COMPONENTS SUPPLIED WITH EASY MOUNTING UNIT



Contents of box:

Item	Name	QTY.	Item	Name	QTY.
1	Small Rubber Foot	2 pc	10	Right Pipe	1 pc
2	Left Support Plate	1 pc	11	Clip	1 pc
3	Left Pipe	1 pc	12	"L" Type Pipe	1 pc
4	T Clamp	1 pc	13	Cap	1 pc
5	Nut, M6	3 pc	14	Wall Support Plate	1 pc
6	Fling Belt	1 pc	15	Rubber Foot	1 pc
7	Key I	1 pc	16	Bolt , M6X25	3 pcs
8	Key II	1 pc	17	Spanner	1 pc
9	Right Support Plate	1 pc	18		

Fig. A

ASSEMBLY AND INSTALLATION

Fig. A. Prepare and check all Contents according to the table from page 2/5.

Fig. B. Screw **Right Support Plate (9)** completely into **Right Pipe (10)** until it can't be turned.

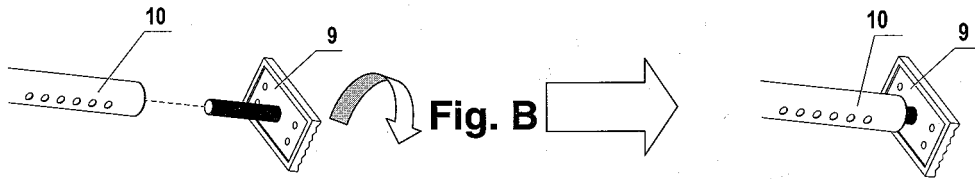


Fig. C. Adjust the length of **Left Pipe (3)** and **Right Pipe (10)** to fit the width of window. Then, insert **Key I (7)** and **Key II (8)** into the holes of the **Left Pipe (3)** and **Right Pipe (10)**. After that, lock **Key I (7)** with **Clip (11)**. Finally, turn **Left Pipe (3)** and **Right Pipe (10)**, to pres the **Right and Left Support Plates** tightly into the window opening.

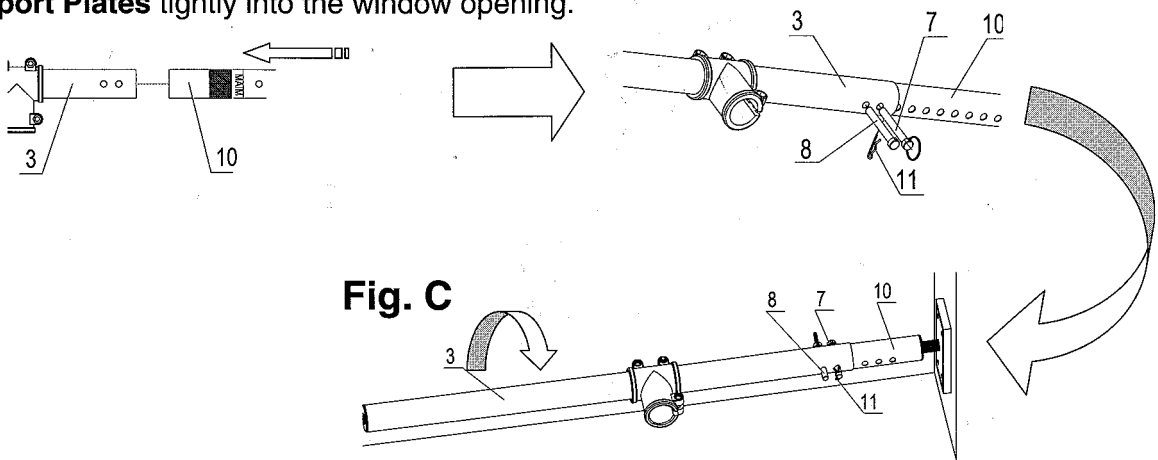


Fig. D. Insert "**L**" Type Pipe (12) into **Clamp (4)**. Tighten **Clamp (4)** onto "**L**" Type Pipe (12) at the longer end with **Bolts (16)** and **Nuts (5)** tightly.

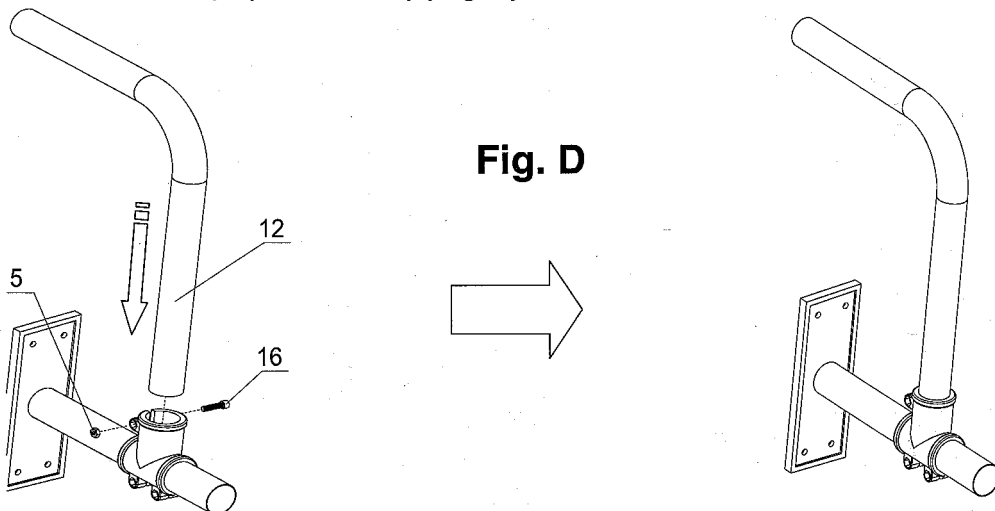


Fig. E. Insert "L" Type Pipe (12) into T Clamp (4), Lock T Clamp (4) on to "L" Type Pipe (12) at the shorter ends with Bolt (16) and Nut (5) tightly.

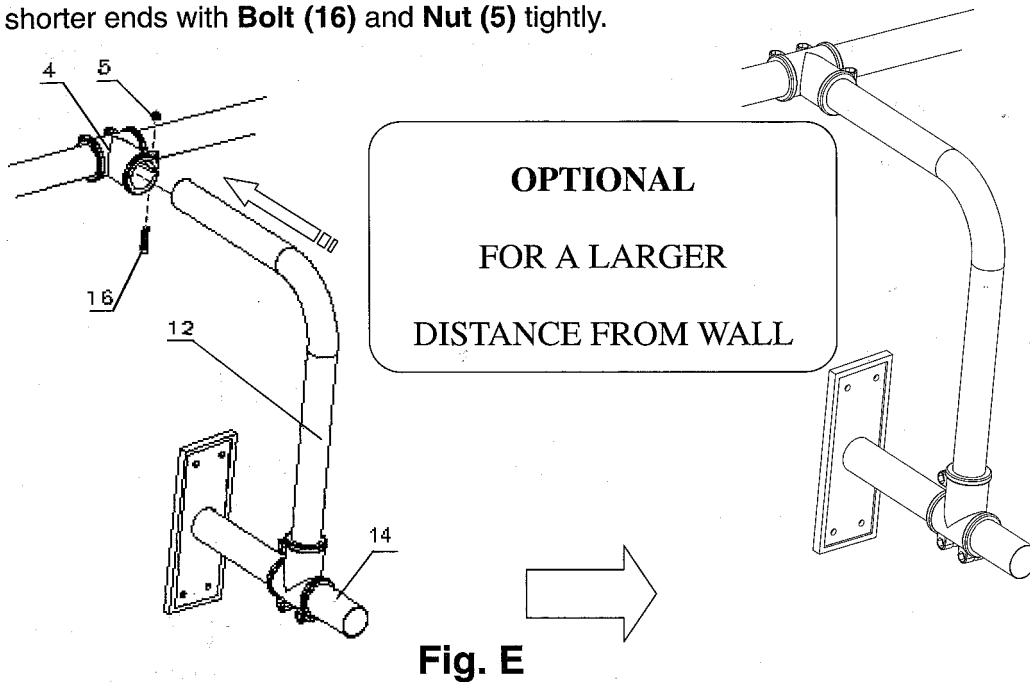


Fig. E

Fig. F. Center Clamp (4) in the middle of the window then tighten Clamp (4) on to the Left Pipe (3) with Bolts (16) and Nuts (5). Adjust the length of Wall Support Plate (14) against the wall, and then tighten screws on Clamp (4) of the Wall Support Plate (14) with Bolts (16) and Nuts (5). Finally double check tightness, of all bolts with Spanner (17).

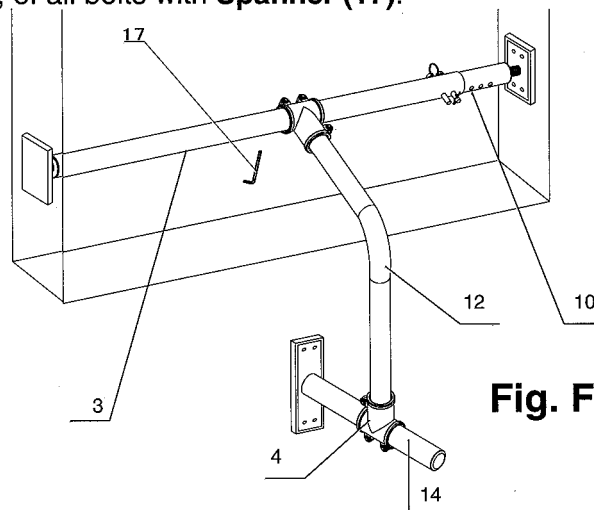



Fig. F

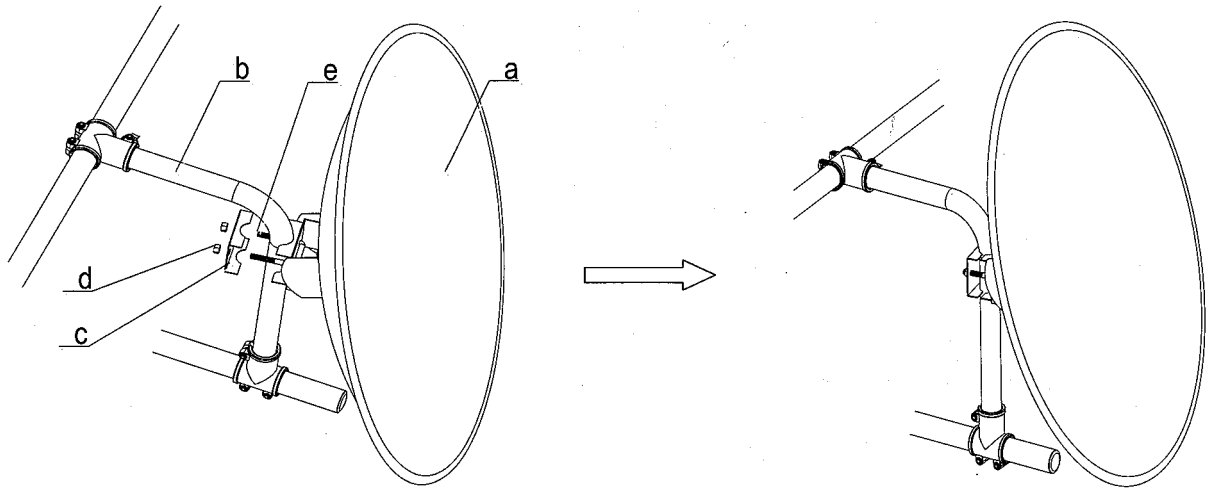
NOTE:  The wall must be strong enough to hold a load of 100 kg. The pipe Nr. 3 and Nr. 10 must be parallel to the window-sill, and must be pressed in tightly. T Clamp 4 must be tightly screwed on to 12 and 14. If the side walls are not strait, you must even out the sides so that the support plates (2 and 9) are parallel to the wall.

INSTALLATION OF THE SATLLITE-ANTENNA

Screw the **Antenna (a)** on to the **Antenna Holder (b)** with **Clamp (c)**, **Nuts (d)** and **Bolts (e)**.

Adjust the antenna at the appropriate position.

Then, enjoy your TV program.



NOTE:  The antenna must be screwd on tightly.