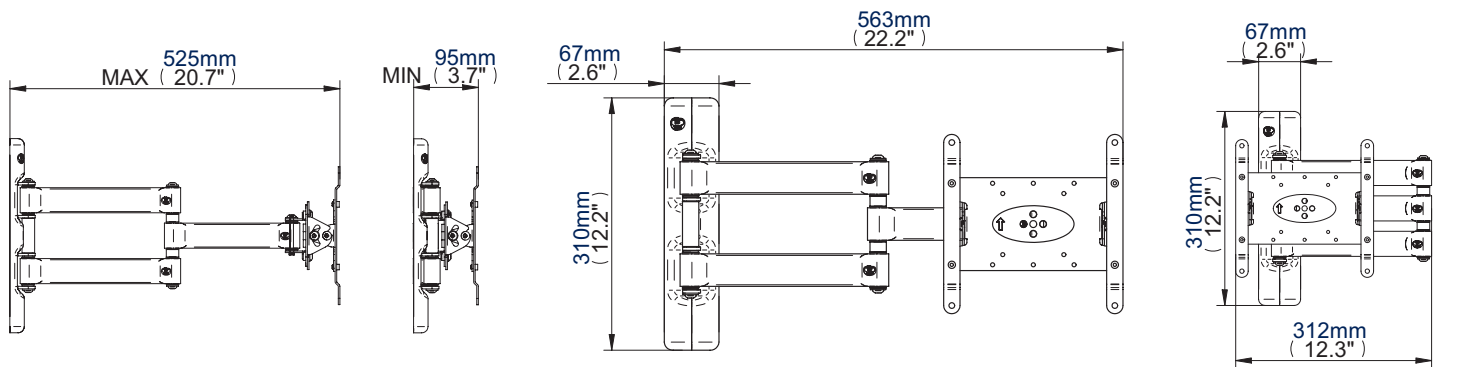


### Double Arm Flat Screen Wall Mount with Tilt and Swivel

For more information please visit [www.btechavmounts.com/BT7515](http://www.btechavmounts.com/BT7515)

**BT7515**

Registered Design Number: 000389994-0003

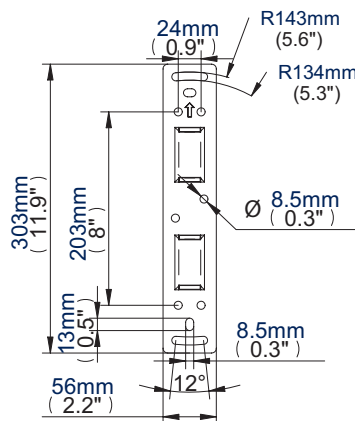


**Side View  
Maximum Extension**

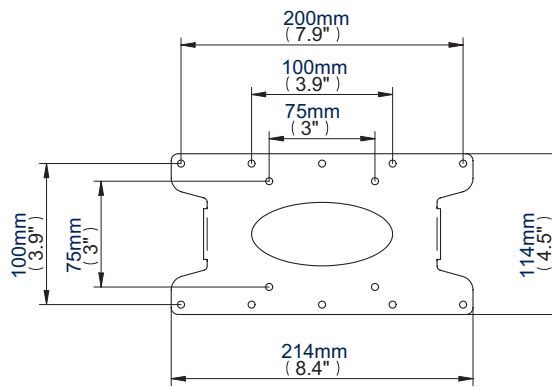
**Side View  
Flat to Wall**

**Front View  
Maximum Extension**

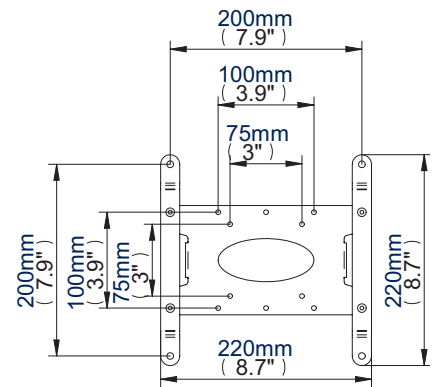
**Front View  
Flat to Wall**



**Wall Plate**



**200 x 100 Interface**



**200 x 200 Interface**

Colour:	Order Ref:	EAN Code:	Master Carton Qty:	Inner Carton Qty:	Master Carton Weight:	Master Carton Cube:
Piano Black	BT7515/PB	5019318750151	2	N/A	9.32kg (20.5lbs)	0.033cbm (1.15cuft)
Silver	BT7515/S	5019318750168	2	N/A	9.32kg (20.5lbs)	0.033cbm (1.15cuft)

**This information is intended as a guide only and reflects the current specification at the time of print.  
B-Tech accepts no liability for the accuracy of the information contained in this document.**