

USB PLUG A	BRAID+DRAIN	USB FEMALE A
PIN 1	RED	PIN 1
PIN 2	WHITE	PIN 2
PIN 3	GREEN	PIN 3
PIN 4	BLACK	PIN 4

NOTE:

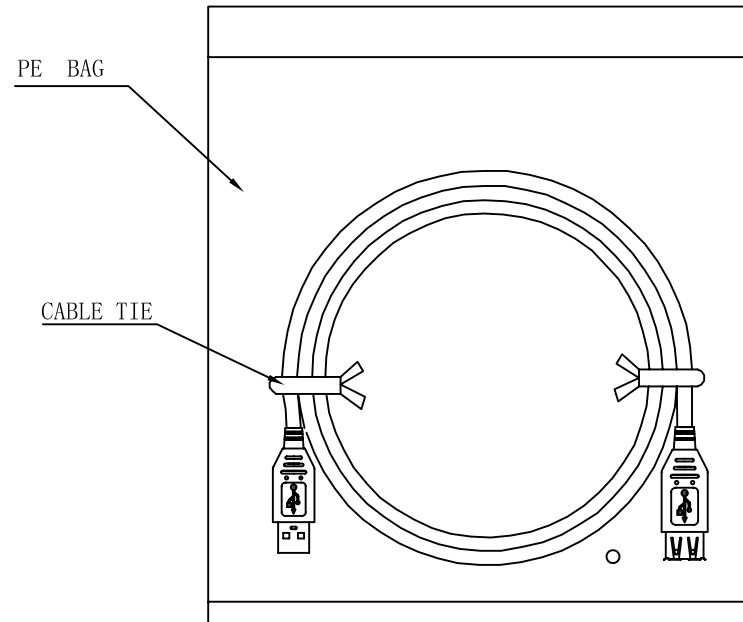
- Electrical test:
 - 100% open short & miss wire test;
 - Insulation resistance: DC 300V 10MΩ;
 - Contact resistance: 3Ω Max;
 - Dielectric strength: 100V AC/Minute, 1mA.
- PRINT WORD: AWM STYLE 2725 80°C 30V VW-1 28AWG×1P 28AWG×2C
- PACKING: 1PCS/PE BAG
- ROHS AND REACH COMPLIANT

MATERIAL LIST:

NO.	PARTS NAME	SPECIFICATION STANDARD	QT'Y	REMARK
④	OUTER MOLD	PVC COLOUR FOR TRANSPARENT	2	
③	USB A TYPE	USB A /F SOLDER TYPE, WHITE PBT INSULATION, THE PIN GOLD PLATING, THE SHELL FOR NICKEL PLATING	1	
②	USB A TYPE	USB A /M SOLDER TYPE, WHITE PBT INSULATION, THE PIN GOLD PLATING, THE SHELL FOR NICKEL PLATING	1	
①	CABLE	USB 2.0 28AWG (7/0.12BC)*1P+28AWG (7/0.12BC)*2C+AL-FOIL+DRAIN (7/0.12 TC)+BRAID (16/3/0.12 AL-MG)+PVC/TRANSPARENT JACKET OD: 4.0±0.2MM	1	

TEL: 0086-574-87990380; FAX: 0086-574-87990385			
CUSTOMER	CEI Conrad Electronic Int. (HK) Ltd	ITEM NO.	SEE THE CHART
PRODUCT NAME	USB 2.0 AM/AF	UNO ITEM NO.	UNIT MM
DRAWNBY	CHECKBY	APPOBY	DATE
BY	CHK	REVISION RECORD MODIFICATIONS	DATE REV.
			2013.12.18 A
			FERGUS ALVAN 2013.12.18

ITEM NO.	LENGTH	Weight
	500+60/-0	
	1000+60/-0	
971747	1800+100/-0	54.5G
972303	3000+100/-0	78.5G
972024	4500+100/-0	108.5G



TEL:0086-574-87990380;FAX:0086-574-87990385			
CUSTOMER	CEI Conrad Electronic Int. (HK) Ltd	ITEM NO.	SEE THE CHART
PRODUCT NAME	USB 2.0 AM/AF	UNO ITEM NO.	UNIT MM
BY	CHK	REVISION RECORD MODIFICATIONS	DATE
NEW	2013. 12. 18	A	
FERGUS	ALVAN		2013. 12. 18

BY	CHK	REVISION RECORD MODIFICATIONS	DATE	REV.
NEW	2013. 12. 18	A		
FERGUS	ALVAN		2013. 12. 18	