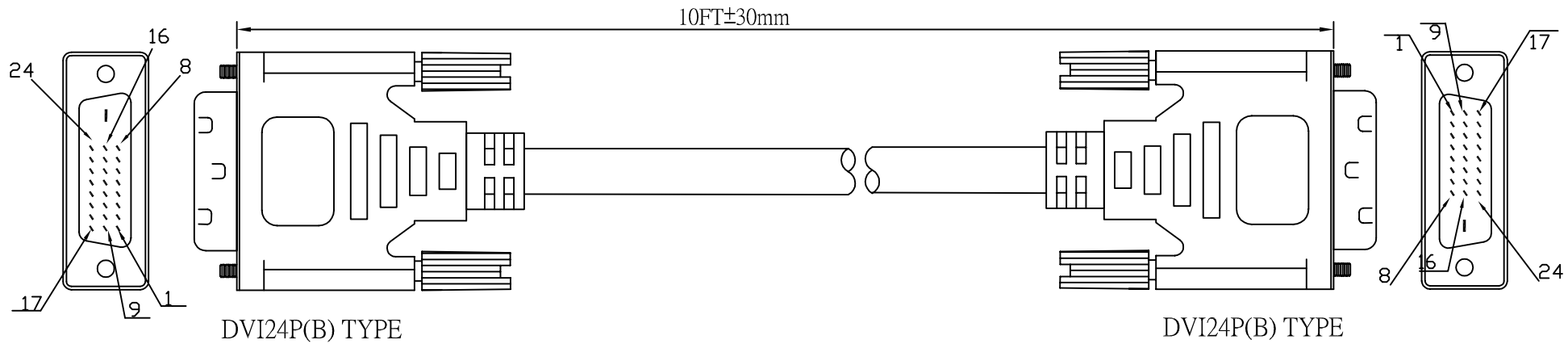


REV.	DESCRIPTION	ENG.	APPROVAL



NOTE:

1. CABLE:28AWG,UL20276,AL+B(#28*1P+D+FAM)*7PCS+28#*1P+#28*3C, BEIGE COLOR,OD=8.6mm,PVC JACKET
2. LENGTH:10FT
3. CONNECTOR:DVI24P(B)*2PCS (BLACK INSULATOR)
4. MOLD:DVI MOLDING.
5. SCREW: 4*40 INCH SCREW*4PCS,
6. CONTACTS:

DVI24P	1	2	3	3	4	5	6	7	9	10	11	11	12	13	17	18	19
DVI24P	1	2	3	3	4	5	6	7	9	10	11	11	12	13	17	18	19
	P		64	64	P		P		P		64	64	P		P		64


19	20	21	22	23	24	14	15	16	64
19	20	21	22	23	24	14	15	16	64
64	P		64	P		28AWG			64

7. OPEN/SHORT TEST:100% TEST.
INSULATION: MIN. 2M.

THESE DRAWINGS AND SPECIFICATIONS ARE THE PROPERTY OF INTRACOM Asia Co.,Ltd. AND SHALL NOT BE REPRODUCED COPIED OR USED IN ANY MANNER WITHOUT THE PRIOR WRITTEN CONSENT OF INTRACOM Asia Co.,Ltd.

UNLESS OTHERWISE SPECIFIED;DIMENSIONS ARE IN MILLIMETERS ANGULAR TOLERANCE:±1°

TOLERANCE(INCH)	TOLERANCE(MM)
x ±0.02"	x ±0.5mm
x.x ±0.01"	x.x ±0.20mm
x.xx ±0.008"	x.xx ±0.15mm
x.xxx ±0.005"	x.xxx ±0.10mm

		安達康股份有限公司 INTRACOM Asia Co.,LTD.			
TITLE:		APPD			
		Check	XIE		
CUSTOMER:		Drawer	ZXW	Date	2008.03.19
CUSTOMER P/N:		Unit	mm	Projection	☞
ICT P/N: 371803		Scale	1:1	Size	A4
DWG.NO:		Sheet	1 of	REV.	A