

MODULAR CONNECTORS

CL 222 TM

Six-conductor plug with straight cover

●Material · Finish

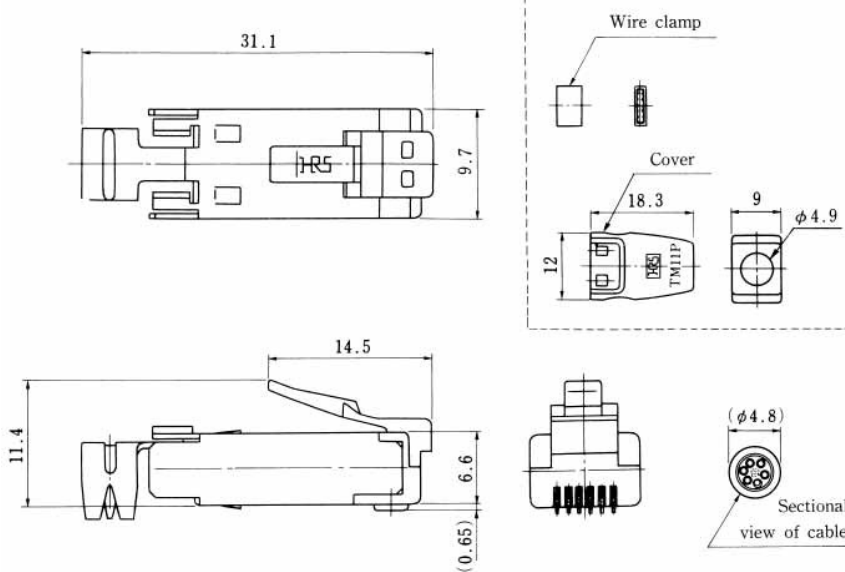
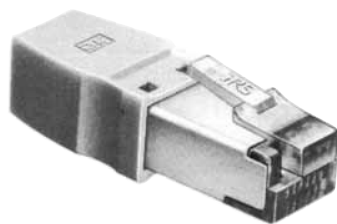
Part name	Material	Finish
Plug case	Polycarbonate	Clear
Terminal	Phosphor Bronze	Gold plated
Cover	Polycarbonate	Beige

Applicable Cable	
Conductor diameter	Copper foil or AWG#26
Insulator diameter	φ0.9~φ1.0

●Electrical Performance

Item	Condition	Specification
Current rating	Per pin	0.5A
Voltage rating	Per pin	125V AC
Insulation Resistance	100V DC	100 M.Ω Min.
Withstanding Voltage	1 minute	500V r.m.s AC

●TM11P-66P (* *)



CL No.	Part No.	Cover Color	RoHS
222-2149-9-50	TM11P-66P (50)	Beige	YES
222-2149-9-53	TM11P-66P (53)	Black	

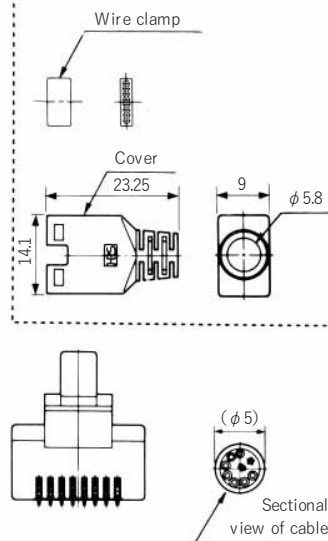
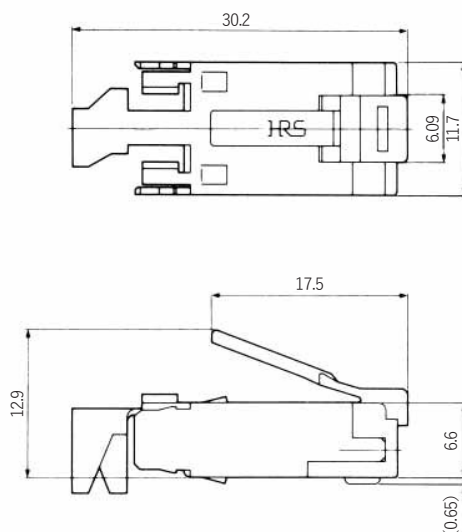
(Number of plugs in package : 100)

MODULAR CONNECTORS

CL 222 TM

Eight-conductor plug with straight cover

●TM11AP-88P (**)



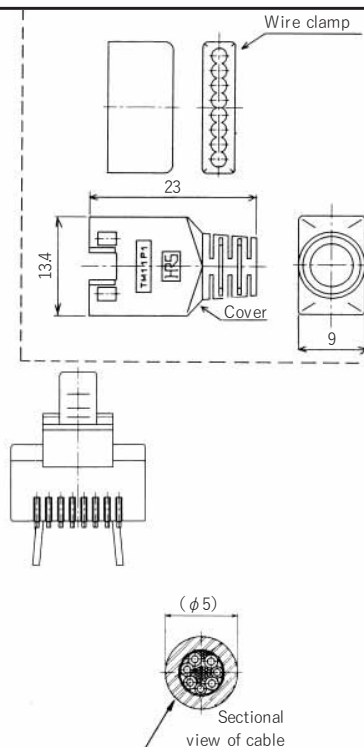
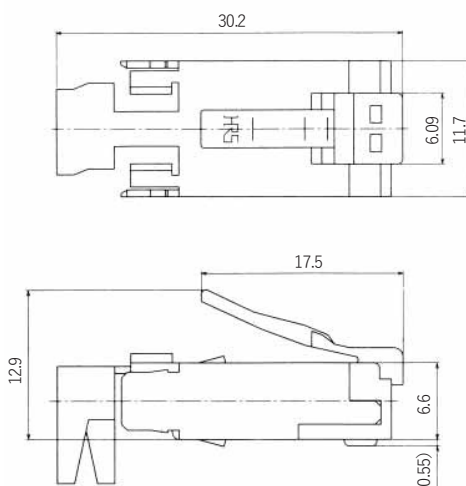
CL No.	Part No.	Cover color	RoHS
222-2780-6	TM11AP-88	Beige	YES
222-2780-6-02	TM11AP-88P (02)	Medium gray	
222-2780-6-03	TM11AP-88P (03)	Black	
222-2780-6-04	TM11AP-88P (04)	Natural light gray	

Note: This plug is NOT intended to be used for gang-jack.

(Number of plugs in package:100)

Eight-conductor thin straight plug with cover (For gang-jack)

●TM11AP1-88P (* *)



CL No.	Part No.	Cover color	RoHS
222-2782-1	TM11AP1-88P	Light beige	YES
222-2782-1-02	TM11AP1-88P (02)	Medium gray	
222-2782-1-03	TM11AP1-88P (03)	Black	
222-2782-1-04	TM11AP1-88P (04)	Natural light gray	
222-2782-1-05	TM11AP1-88P (05)	Red	
222-2782-1-06	TM11AP1-88P (06)	Green	
222-2782-1-07	TM11AP1-88P (07)	Blue	
222-2782-1-08	TM11AP1-88P (08)	Yellow	
222-2782-1-09	TM11AP1-88P (09)	Orange	

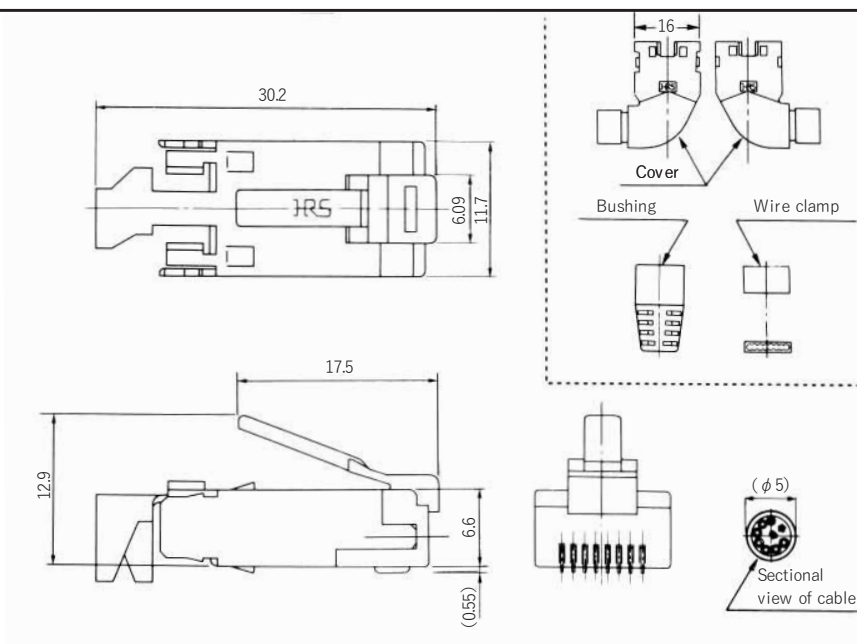
(Number of plugs in package:100)

MODULAR CONNECTORS

CL 222 TM

L-shaped 8-conductor plug with cover

●TM11APA-88P (* *)



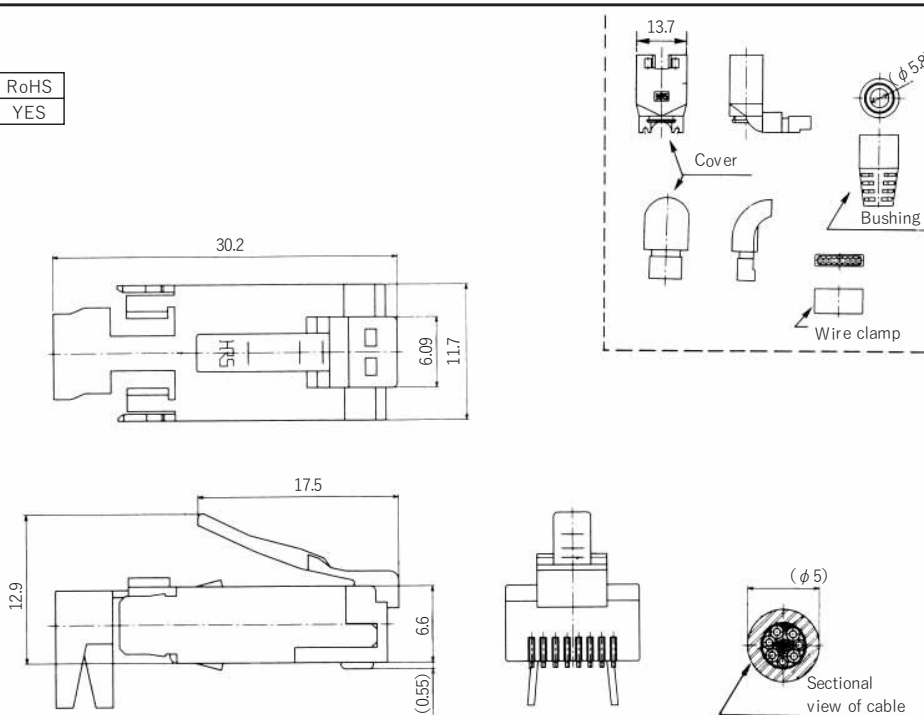
CL No.	Part No.	Cover Color	RoHS
222-2781-9	TM11APA-88P	Light beige	YES
222-2781-9-03	TM11APA-88P (03)	Black	

(Number of plugs in package:100)

T-shaped 8-conductor plug with cover

●TM11APA1-88P (* *)

CL No.	Part No.	RoHS
222-2783-4	TM11APA1-88P	YES



Note:Cover standard color is light beige

(Number of plugs in package:100)

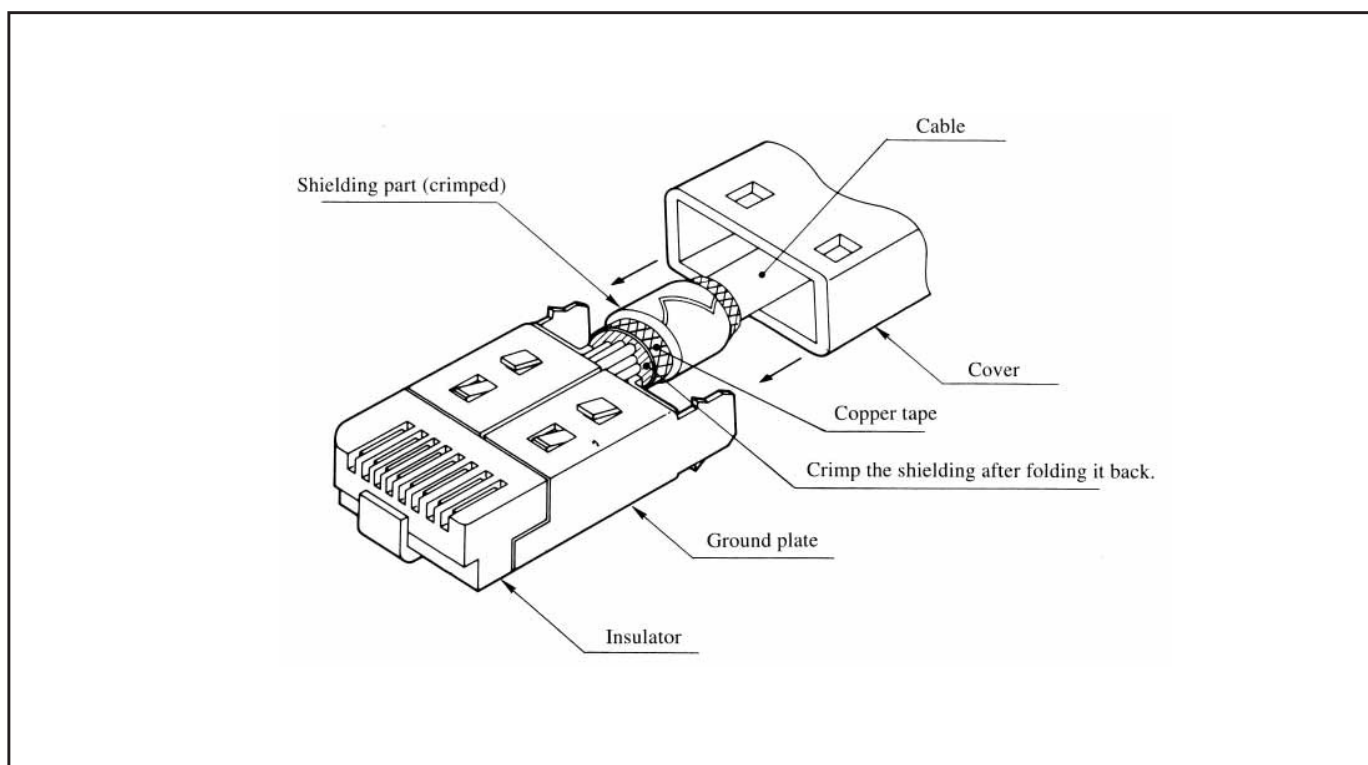
MODULAR CONNECTORS

CL 222 TM

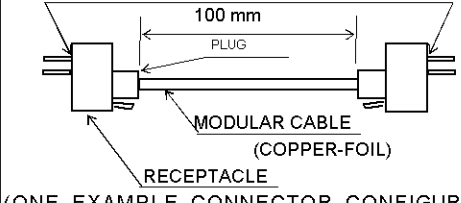
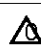
● PLUG WIRING TOOL

Jig Plug	Cable Cramp Jig		Terminal Crimping Jig	
	CL No.	Product No.	CL No.	Product No.
TM11P「J」-66P		TM11P66P cable crimping	901-0938-4	Applicator 105TM11P-66P
	902-0132-8	Hand press HOS-7	901-0005-4	Model 105 crimping tool
TM11P「J」-88P	902-0077-1	TM11P88P cable crimping jig	901-0221-0	Applicator 105TM11P-88P
	902-0132-8	Hand press HOS-7	901-0005-4	Model 105 crimping tool

● PLUG ASSEMBLY DRAWING



Dec.1.2019 Copyright 2019 HIROSE ELECTRIC CO., LTD. All Rights Reserved. In case of consideration for using Automotive equipment / device which demand high reliability, kindly contact our sales window correspondents.

APPLICABLE STANDARD					
RATING	OPERATING TEMPERATURE RANGE	-25 °C TO 60 °C	STORAGE TEMPERATURE RANGE	°C TO °C	
	VOLTAGE	125 V AC	CURRENT	500 mA	
SPECIFICATIONS					
ITEM	TEST METHOD	REQUIREMENTS	QT	AT	
CONSTRUCTION					
GENERAL EXAMINATION	VISUALLY AND BY MEASURING INSTRUMENT.	ACCORDING TO DRAWING.	X	X	
MARKING	CONFIRMED VISUALLY.		X	X	
ELECTRIC CHARACTERISTICS					
CONTACT RESISTANCE	100 mA (DC OR 1000 Hz AC). MEASUREMENT POINTS SHALL BE AS FOLLOWS. TEST POINT  (ONE EXAMPLE CONNECTOR CONFIGURATION IS SHOWN.)	230 mΩ MAX.	X	X	
INSULATION RESISTANCE	100 V DC.	100 MΩ MIN.	X	X	
VOLTAGE PROOF	500 V AC FOR 1 min.	NO FLASHOVER OR BREAKDOWN.	X	X	
MECHANICAL CHARACTERISTICS					
MECHANICAL OPERATION	750 TIMES INSERTIONS AND EXTRACTIONS.	1) CONTACT RESISTANCE: 250 mΩ MAX. 2) NO DAMAGE, CRACK AND LOOSENESS OF PARTS.	X	-	
VIBRATION	FREQUENCY 10 TO 55 Hz SINGLE AMPLITUDE 0.75 mm, - m/s ² AT 2 h, FOR 3 DIRECTION.	1) NO ELECTRICAL DISCONTINUITY OF 5μs. 2) CONTACT RESISTANCE: 250 mΩ MAX. 3) NO DAMAGE, CRACK AND LOOSENESS OF PARTS.	X	-	
SHOCK	490 m/s ² DIRECTIONS OF PULSE 11 ms AT 3 TIMES FOR 3 DIRECTIONS.		X	-	
ENVIRONMENTAL CHARACTERISTICS					
DAMP HEAT,CYCLIC	EXPOSED AT 40 °C, 90 TO 95 %, 500 h.	1) CONTACT RESISTANCE: 250 mΩ MAX. 2) INSULATION RESISTANCE: 1 MΩ MIN. (AT HIGH HUMIDITY) 10 MΩ MIN. (AT DRY) 3) NO DAMAGE, CRACK AND LOOSENESS OF PARTS.	X	-	
RAPID CHANGE OF TEMPERATURE	TEMPERATURE -55 → 5 TO 35 → 85 → 5 TO 35 °C TIME 30 → 10 TO 15 → 30 → 10 TO 15 min UNDER 5 CYCLES.	1) CONTACT RESISTANCE: 250 mΩ MAX. 2) INSULATION RESISTANCE: 100 MΩ MIN. 3) NO DAMAGE, CRACK AND LOOSENESS OF PARTS.	X	-	
CORROSION SALT MIST	EXPOSED IN 5 % SALT WATER SPRAY FOR 48 h.	1) CONTACT RESISTANCE: 250 mΩ MAX. 2) NO HEAVY CORROSION.	X	-	
	COUNT	DESCRIPTION OF REVISIONS	DESIGNED	CHECKED	DATE
	0				
REMARK			APPROVED	HO.MIWA	06.06.29
			CHECKED	YH.ENAMI	06.06.29
			DESIGNED	TU.TANIGUCHI	06.06.28
Unless otherwise specified, refer to JIS C 5402.			DRAWN	YK.SATO	06.06.27
Note QT:Qualification Test AT:Assurance Test X:Applicable Test			DRAWING NO.		ELC4-120679-03
HRS	SPECIFICATION SHEET		PART NO.	TM11AP-88P (61)	
	HIROSE ELECTRIC CO., LTD.		CODE NO.	CL222-2780-6-61	 1/1