

SPECIFICATION FOR APPROVAL

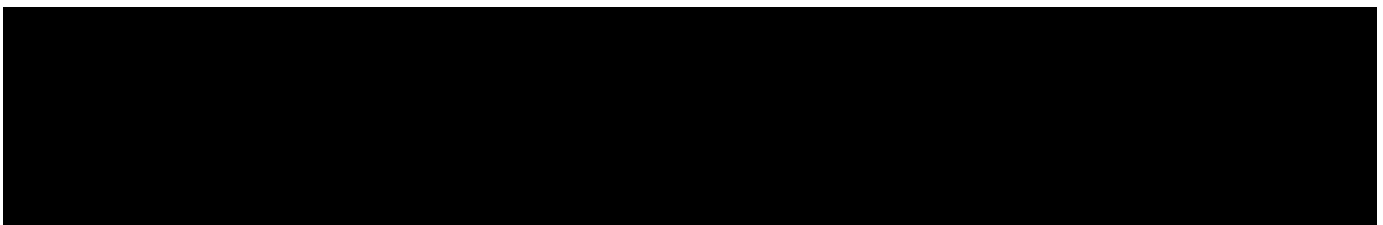
Customer :

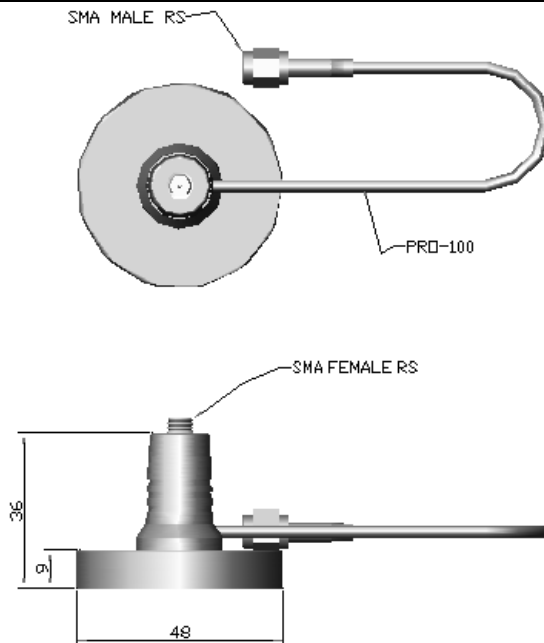
Model No.: BA-401500-01-8

Description : MAGNETIC ANTENNA BASE

Date : 2007/11/20

Rev : 1





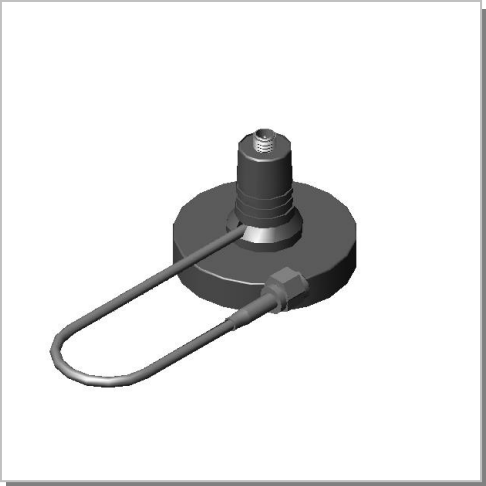
Electrical Specifications:

Frequency Range :	N/A
VSWR :	≤ 2.0
Impedance :	$50\Omega \pm 5\Omega$
Forward Gain :	N/A
Polarization :	Vertical
Power Handling :	N/A
Beam Width :	N/A

Mechanical Specifications:

Connector :	SMA FEMALE RS TO SMA MALE RS
Operation Temp :	$-30^{\circ}\text{C} \sim +60^{\circ}\text{C}$
Cable & Length :	PRO-100 1.5M
Material :	Radome: BRASS
Dimension (L*W*H) :	$\text{O}48*36$ mm(with mount)
Weight :	$140\text{g} \pm 10\text{g}$ (with mount)
Color :	BLACK

3D Illustration



CONSTRUCTION:

ITEM		UNIT	1.78MM
No. of Wire		P · C	1C
1)Conductor	Material	—	Bare Copper Wire
	Size	No./mm	0.5
2)Insulation	Material	—	PE
	O.D	mm	(NOM.) 1.5
3)Binder		—	Sealed Aluminum Mylar Aluminum Tape
4)Braid Shield	Material	—	Tinned Copper Wire
	Coverage	%	95% ↑
5)Jacket	Material	—	PVC
	O.D	mm	2.8

MECHANICAL PROPERTIES:

ITEM	UNIT	
Minimum Bend Radius	mm	12.5 mm

ELECTRICAL PROPERTIES (20°C):

ITEM	UNIT	
Velocity of Propagation	%	95
Impedance	Ω	(NOM.) 50
Capacitance	PF/FT	(NOM.) 100

Attenuation (nom.)	
MHz	dB/100M
144	30
400	52
800	70
1000	87
1500	92
2000	141
3000	156
4000	184

