

Product Spec. Sheet


Diamond Series- Spring Arm

EM34121

Grommet Desk Mount LCD Monitor Arm

Quick Install & Dismount













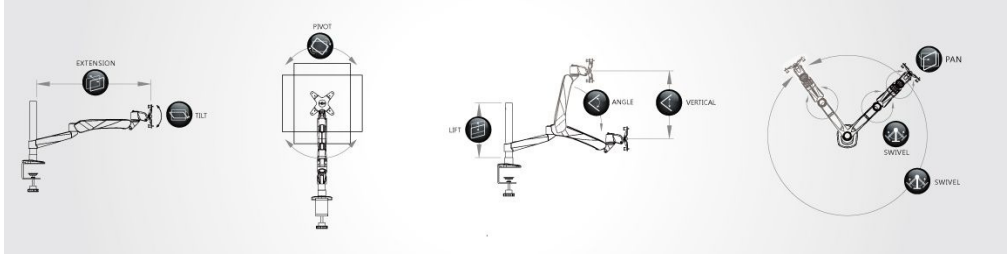
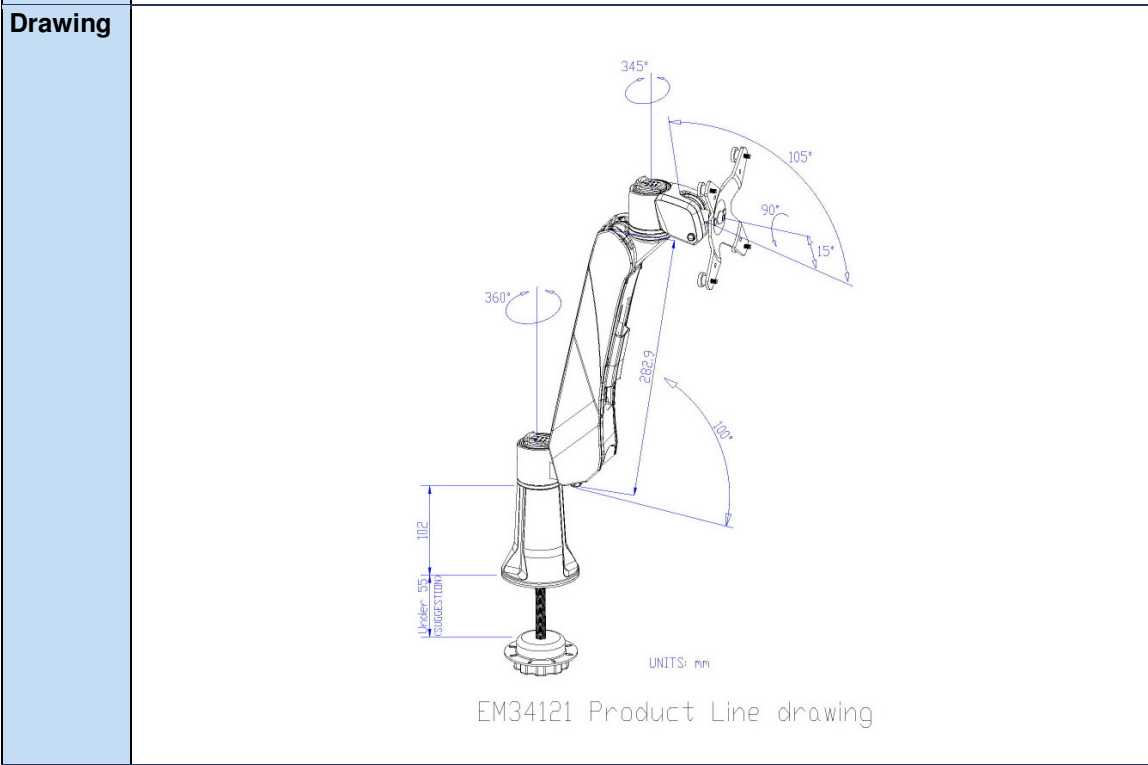
Product Name	Diamond Series Spring Arm
Model Number (color)	EM34121(Silver Grey)
Product Includes	Spring Arm, Grommet desk Mount Base Monitor Bracket
Attachment Options	 Lock for Security
Product Dimens.	Product : L280xW114xH470mm Weight : 2.4g White Box : L178x139x429mm Weight : 2.6kg
Units per Master Carton	6pcs
Shipping Master Carton Dimens.	Carton : L442x W438xHx386mm
Shipping Weight	N.W.:16Kg G.W.:17Kg
Units per Pallet	120pcs
Warranty	1years
Weight Capacity	2Kg-9Kg (4.4-19.8lbs) almost any VESA compliant monitor up to 27"
Country of Origin	Taiwan

Features

1. Elegant, Stylish and Ergonomic design with high performance
2. Wide Angle and height range for comfortable view position.
3. Swift Movement with easy adjustment.
4. 3 quick mode release function as Pivot stand, Swivel or Spring Arm.
5. Easily do install and dismount.
6. Aluminum alloy and metal material, strong and safety.
7. Internal cable management routed cables neatly under arm.
8. Space saving.
9. A considerate Tool fixed design, no more worrying tool of placement.
10. VESA MIS-D 75x75/100x100mm

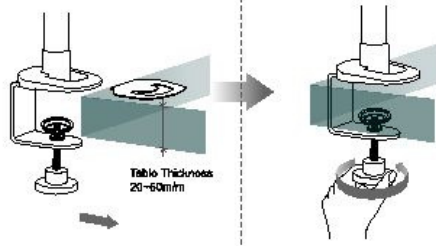
Tech Specs

									
VESA	LIFT	ANGLE	PIVOT	SWIVEL	PAN	TILT	EXTENSIO	VERTICAL	Wt.Load
	-----	100°	90°	360°	360°	105°	0-330mm	0-270mm	2-9Kg

Wall Mount (壁掛型)

A C-Clamp (C型夾)



B Grommet (穿桌夾)

