


Product Spec Sheet

Diamond Serials--Dual 2 Joint Spring Arm 2in1(C-Clamp + Grommet) Type Monitor Arm

Quick Install & Dismount



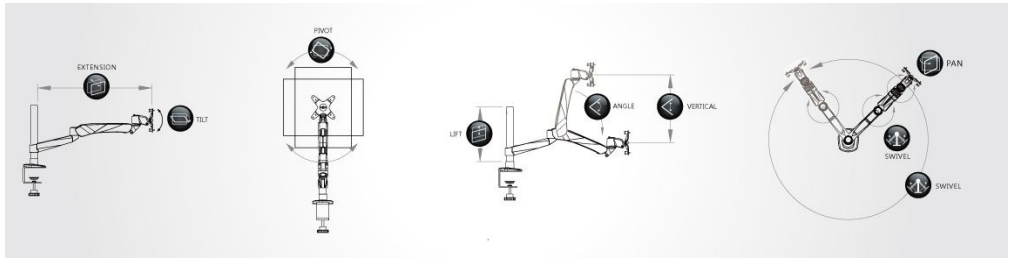
Product Name	Dual Monitor—Dual 2 Joint Spring Arm, 2in1(C-Clamp + Grommet) Type
	Silver Color
Product Includes	2 Spring Arm, 2 Swivel, 2 in1 (Clamp + Grommet) (Pole Length : 302mm), Dual Stand, 2 Monitor Bracket
Attachment Options	

特點及功能

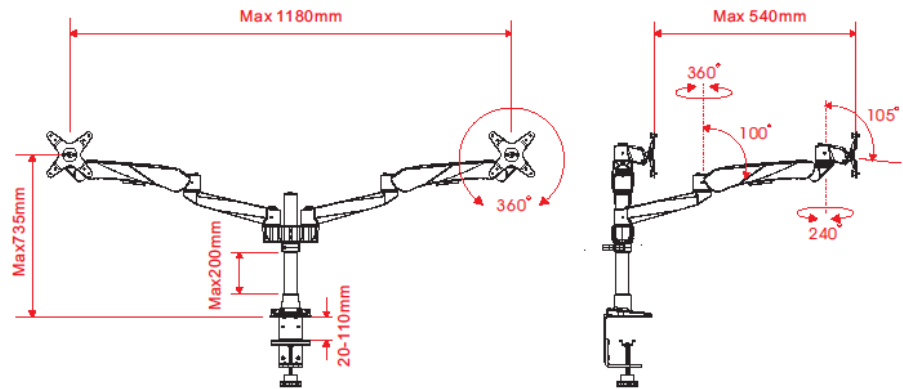
1. Elegant, Stylish and Ergonomic design with high performance
2. Wide Angle and height range for comfortable view position.
3. Swift Movement with easy adjustment.
4. 3 quick mode release function as Pivot stand, Swivel or Spring Arm.
5. Easily do install and dismount.
6. Aluminum alloy and metal material, strong and safety.
7. Internal cable management routed cables neatly under arm.
8. Space saving.
9. A considerate Tool fixed design, no more worrying tool of placement.
10. VESA MIS-D 75x75/100x100mm

Tech Specs

									
VESA	LIFT	ANGLE	PIVOT	SWIVEL	PAN	TILT	EXTENSIO	VERTICAL	Wt.Load
	160mm	100°	360	360°	360°	105°	0-540mm	0-270mm	2-9Kg

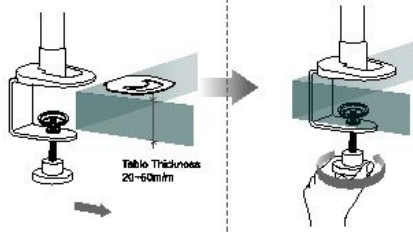


Drawing

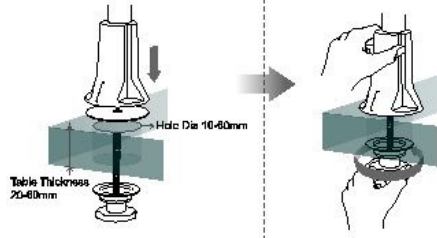


EM45136 Product Line Drawing, unit: mm

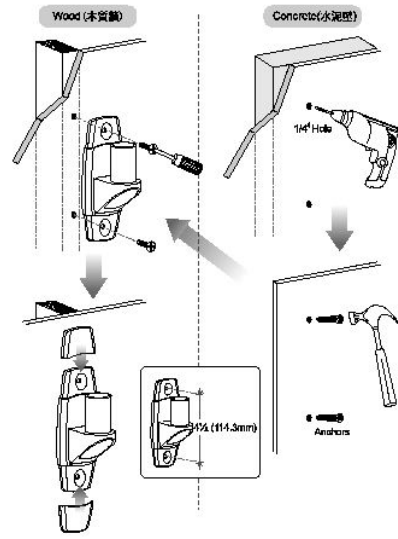
A C-Clamp (C型夾)

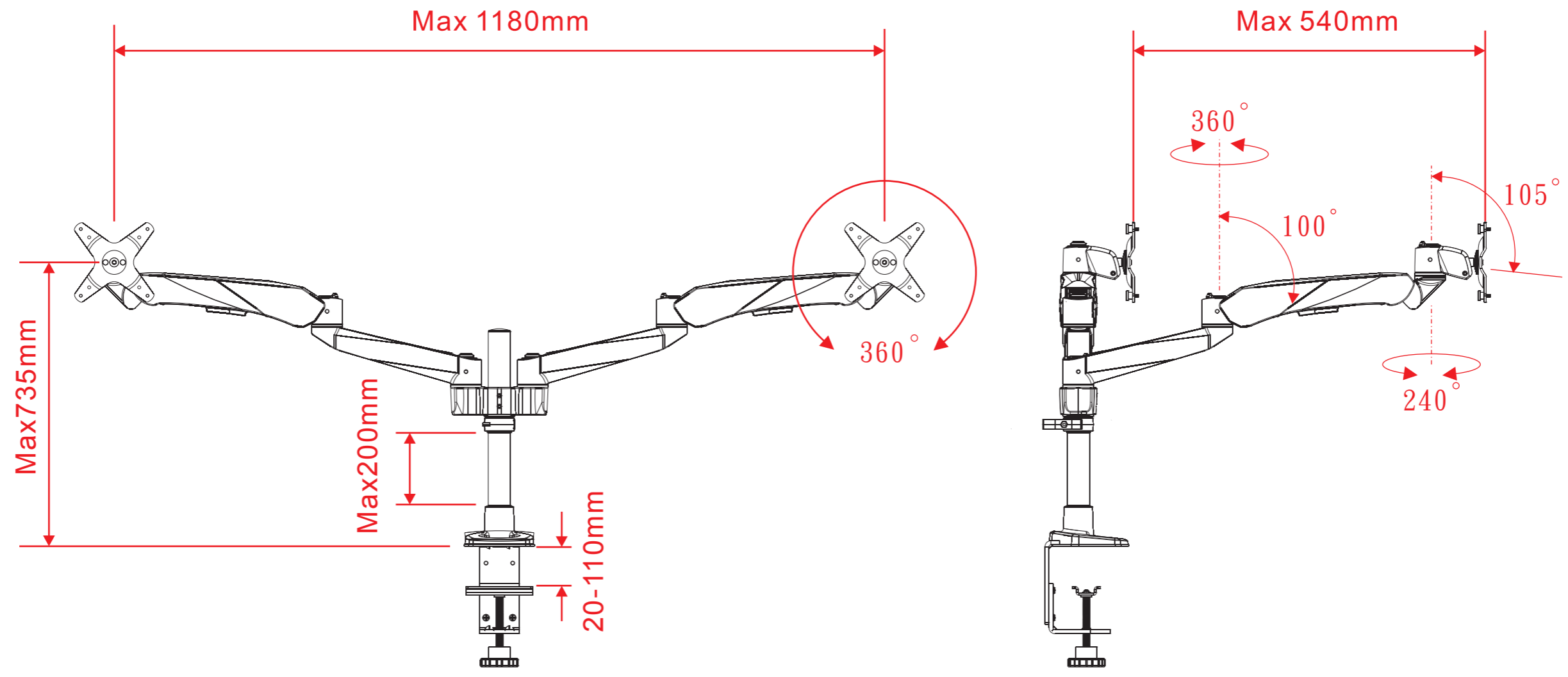


B Grommet (穿桌夾)



C Wall Mount (壁掛型)

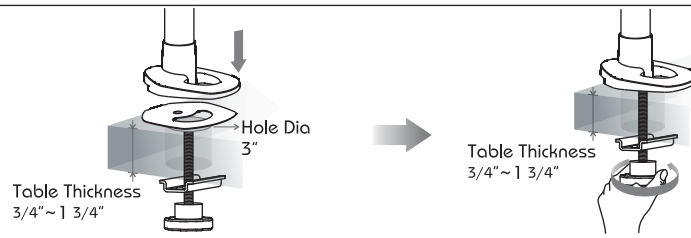




EM45136 Product Line Drawing, unit:mm

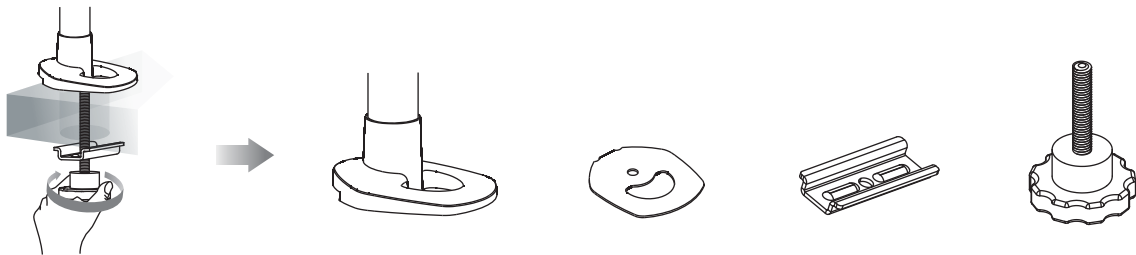
Pole with Clamp/Grommet Attachment User's Manual

Grommet Type

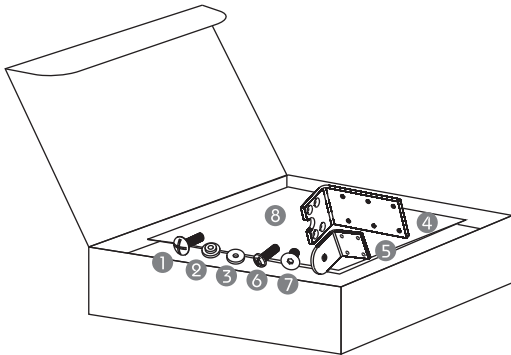


Clamp Type

Step 1 → Unscrew Hand-Turn Screw and separate Hand-Turn Screw and Long Metal Plate from the Mount.

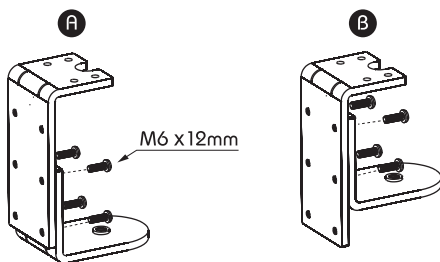


Service Kit



①	Screw M4x15mm, Round Head, Philips Drive	1
②	Male Round Washer	1
③	Female Round Washer	1
④	Metal C Clamp(L)	1
⑤	Metal C Clamp(S)	1
⑥	Screw M6x12mm, Round Head, Philips Drive	4
⑦	Screw M5x14mm, Flat Head, Hex Socket Screw	4
⑧	Pole with Clamp/Grommet Attachment User's Manual	1

Step 2 → Depends on the desk thickness, assemble 2 pieces of metal clamp at suitable screw holes with 4 screws (M5x15mm, round head, Philips Drive).



Remark

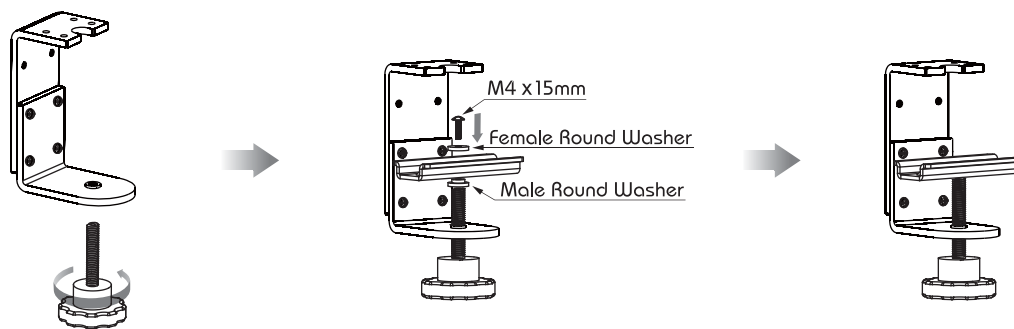
Desk thickness >50mm(1.97"), refer to chart A left.

Desk thickness <50mm(1.97"), refer to chart B left.

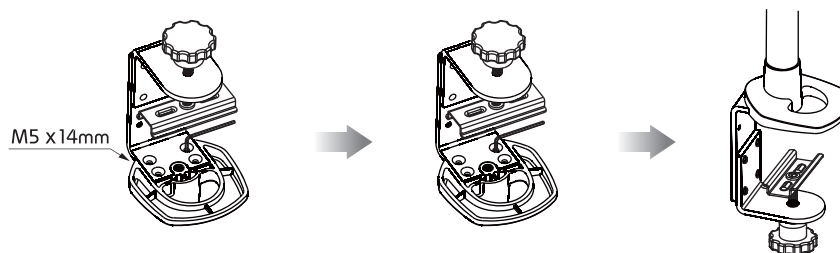
Step 3 → Get Screw (M4x15mm, Round Head, Philips Drive), Male & Female Round Washers from Service Kit.



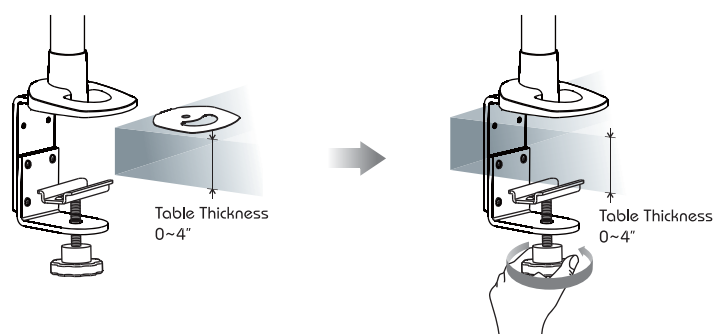
Step 4 Assemble Hand-Turn Screw with C Clamp.



Step 5 Assemble C Clamp with Mount by driving 4 Screws M5x14mm, flap head, Hex Socket Screws.



Step 6 Stick EVA cushion to mount bottom. Mount assembly is completed for installation onto desk.



Step 7 Install Mount with Swivel Arm, Spring Arm, and Monitor Bracket.

Parts & Hardware

Parts	QTY	Remark	Parts	QTY	Remark
Mount with Pole, Pole Cap, and Adjustment Ring	1	No Adjustment Ring on 82mm Clamp Mount	Female Round Washer	1	Inside Service Kit
Hand-Turn Screw(Attached with Mount)	1		Metal C Clamp(L)	1	Inside Service Kit
EVA Cushion (Attached with Mount)	1		Metal C Clamp(S)	1	Inside Service Kit
Long Metal Plate(Attached with Mount)	1		Screw M6x12mm, Round Head, Philips Drive	4	Inside Service Kit
Screw M4x15mm, Round Head, Philips Drive	1	Inside Service Kit	Screw M5x14mm, Flat Head, Hex Socket Screw	4	Inside Service Kit
Male Round Washer	1	Inside Service Kit	Pole with Clamp/Grommet Attachment	1	Inside Service Kit
			User's Manual		

Tool

Tools Item	QTY	Remark
M3 Wrench	1	Inside Service Kit of Monitor Bracket
#3 Philips Screw Driver	1	Provided by users