

1

2

3

4

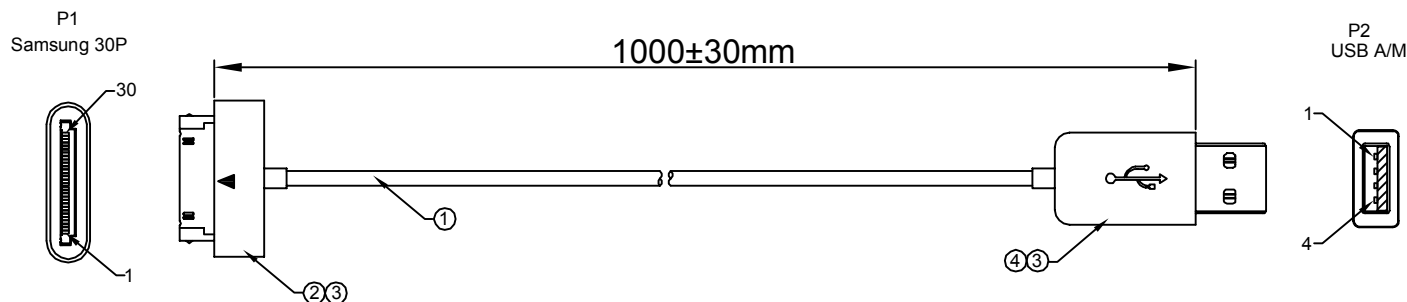
5

6

7

Signature	Revision History	Date	Rev.
Sean	For Bulk Production	Dec.28,2012	01

RoHS Compliant



NOTES:

- 1.CABLE 1: NO UL 28AWG(7/0.12TC)*4C+AL+JACKET OD:3.0±0.15mm,COLOR: BLACK
CABLE MARKING: ALL CABLE NO PRINT
- 2.CONNCTOR P1: SAMSUNG 30P,SOLDER,BLACK INSULATION, PIN GOLD FLASH, SHELL PLATED NICKEL
- 3.CONNCTOR P2: USB A/M,SOLDER,BLACK INSULATION, PIN GOLD FLASH, SHELL PLATED NICKEL
- 4.CONNCTR HOODS ,ABS, COLOR: BLACK
- 5.ELECTRICLE TEST:
(1)100% OPEN SHORT & MIS WIRE TEST.
(2)CONTACT RESISTANCE 1 ohm Max .
(3)INSULATION RESISTANCE 10M ohm Min .
(4)HI-POT TEST:DC 300V/10ms

PIN ASSIGNMENT

P1 Samsung 30P	P2 USB A/M
7,8	1
4	2
3	3
15,16,30	4

	Date	Name	Part No. 31502 EAN:4054007315021		
	Drawn by	Dec.28,2012 Sean			
	Checked by	Dec.28,2012 Joe			
	Approved by	Dec.28,2012 Andy			
Title Samsung charger/data cable, Samsung 30pin - USB M/M, 1.0m, , USB 2.0 compatible, UL, bl			H		
				Scale	N/A
				Unit	MM

STxxxxx

1

2

3

4

5

6

7