

CL3000

Lightweight PS/2-USB LCD Console

The CL3000 Lightweight PS/2-USB LCD Console is an integrated KVM (keyboard, monitor, and mouse) console module that serves as the front end console for compatible KVM switches.

Lightweight and with a 19" power-saving LED-backlit LCD, the CL3000 offers a space-saving, streamlined approach to KVM switch technology by integrating a keyboard, LED-backlit LCD monitor, and touchpad in a 1U housing.

In addition, testing is performed utilizing the MIL-STD-810G* (Method 514.6, Procedure 1, Category 4 Common Carrier) procedure for Vibration Certification. MIL-STD-810G testing provides proven reliable operations of the CL3000 in harsh environments, by using advanced testing to emphasize the equipment's environmental design and limits in real world conditions that it will experience throughout its life; such as operating in a moving vehicle or on a factory floor where high vibrations occur often.

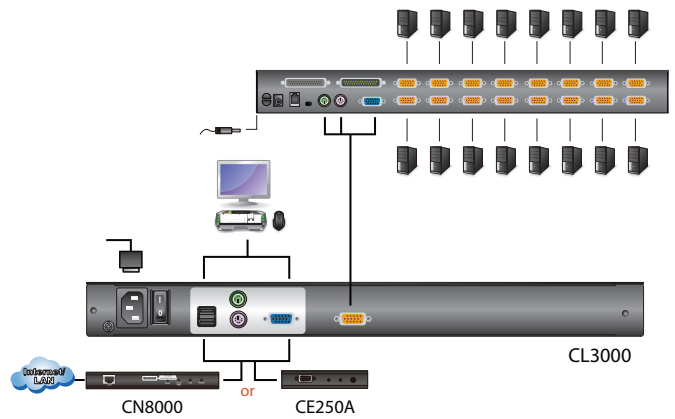
* MIL-STD-810G Method 514.6, Procedure 1, Category 4
(Common Carrier, US Highway Truck Vibration Exposure)

Exposed to random vibration tests at different levels based on axes from 5 to 500Hz, for one hour per axis. Total levels applied are 0.076Grms vertical axis, 1.07Grms transverse axis, and 0.076Grms longitudinal axis.



Features

- Integrated KVM console featuring a 19" LCD monitor in a Single-Rail Slideaway™ housing
- Green power LED-backlit LCD monitor saves energy
- Lightweight design for easier installation
- Advanced Random Vibration Resistance Testing - MIL-STD-810G Certified
- Dual Interface – supports computers with PS/2 or USB keyboards and mice
- Additional hot-pluggable USB mouse port on the front panel (also functions as a USB peripheral port)
- Multiplatform support – Windows, Linux, Mac, and Sun
- Superior video quality – up to 1280 x 1024 @ 75 Hz; DDC2B
- Firmware upgradable
- Extra console port – manage computers from an external console (monitor, USB or PS/2 keyboard and mouse)
- Console lock – the console remains securely locked away when not in use
- Slideaway™ housing is slightly less than 1U with top and bottom clearance for smooth operation in 1U of rack space
- DDC emulation – video settings of each computer are automatically adjusted for optimal output to the monitor
- Adjustable depth to fit within a rack
- Standard 105-key keyboard



2nd Console PS/2, USB	Computers SPHD PS/2, USB	Shared Access 2 Local Users
OS Support Win, Linux, Mac, Sun	LED Monitor 19"	External Mouse USB

Specification

Function	CL3000		
Computer Connections	1		
Console Selection	Hotkey		
Connectors	External Console Keyboard	1 x 6-pin Mini-DIN Female (Purple) 1 x USB Type A Female (Black)	
	Video	1 x HDB-15 Female (Blue)	
		1 x 6-pin Mini-DIN Female (Green)	
	Mouse	1 x USB Type A Female (Black)	
	KVM Ports	1 x SPHD-18 Male (Yellow)	
USB Port	1 x USB Type A Female (Black)		
Power	1 x 3-prong AC Socket		
Switches	Reset	1 x Semi-recessed Pushbutton	
	Power	1 x Rocker	
	F/W Upgrade	1 x Slide	
	LED Power	1 x Pushbutton	
	LED Adjustment	4 x Pushbutton	
LEDs	Power	1 (Green)	
	Lock	Num	1 (Green)
		Caps	1 (Green)
		Scroll	1 (Green)
Emulation	Keyboard / Mouse	PS/2; USB	
Video		1280 x 1024@75Hz, DDC2B	
Input		100-240VAC; 50-60Hz; 1A	
Power Consumption		120V, 21.4W / 230V, 22.7W	
Random Vibration Resistant Test		MIL-STD-810G Certified Test Conditions: • Frequency Range: 5-500Hz • Grams: Value X, Y axis 0.76Grms, Z axis 1.07Grms • Test Duration: 1 hour/per axis	
Environment	Operating Temp.	0-40°C	
	Storage Temp.	-20-60°C	
	Humidity	0-80% RH, Non-condensing	
Physical Properties	Housing	Metal	
	Weight	8.41 kg	
	Dimensions (L x W x H)	58.51 x 48.50 x 4.40 cm	

* Product specifications and appearance are subject to change without notice.

ATEN International Co., Ltd.

3F., No.125, Sec. 2, Datong Rd., Sijhih District., New Taipei City 221, Taiwan
Phone: 886-2-8692-6789 Fax: 886-2-8692-6767
www.aten.com E-mail: marketing@aten.com

Printed 06/2012 V2.0



© Copyright 2012 ATEN® International Co., Ltd.
ATEN and the ATEN logo are trademarks of ATEN International Co., Ltd.
All rights reserved. All other trademarks are the property of their respective owners.