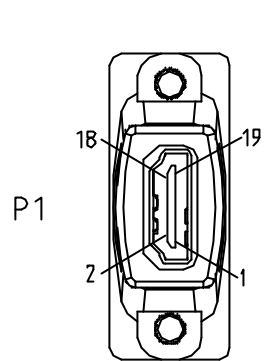


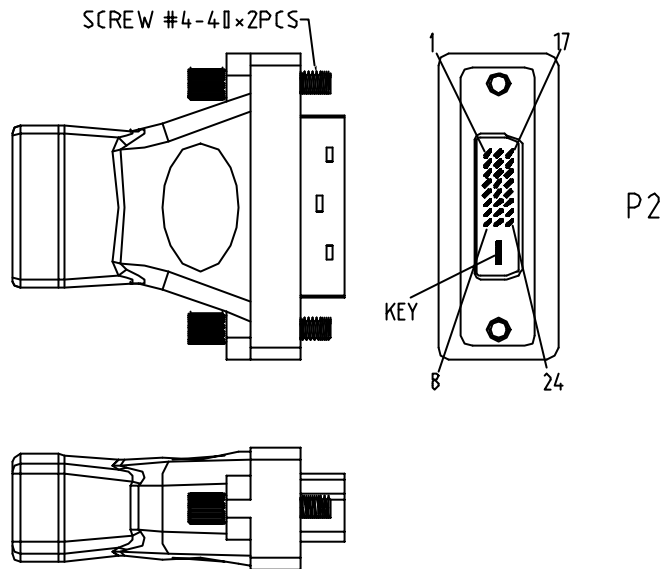
ROHS-COMPLIANT

| LTR | REV. | DESCRIPTION | DATE |
|-----|------|-------------|------|
| | | | |

HDMI FEMALE
PLASTIC:BLACK



DVI_D MALE
PLASTIC:BLACK



- NOTE:
- 1.HOOK UP WIRE:NON-UL 28AWG
 - 2.CONNECTOR:
P1: HDMI 19P FEMALE CONTACT:15u"; SHELL:NICKEL-PLATED .
P2: DVI 24+KEY DIGITAL MALE CONTACT:G/F,SHELL:NICKEL-PLATED .
 - 3.INNER MOLD WITH COPPER FOIL
 - 4.HOOD:MOLDED TYPE,PVC 45P,COLOR:BLACK(NK-K01) .
 - 5.ELECTRICAL TEST:
(1)100% OPEN SHORT & MIS WIRE TEST.
(2)CONTACT RESISTANCE 3 ohm Max .
(3)INSULATION RESISTANCE 5M ohm Min .
 - 6.PACKING: <1>EACH PC / POLYBAG + EAN CODE LABEL & ROHS LABEL
<2>EACH CARTON / ROHS LABEL(LxW=35x22mm)
 - 7.EAN CODE:4260113560075

| HDMI | PIN OUT | DVI_D | CABLE FUNCTION |
|-------|---------|-------|--------------------|
| P1 | | P2 | |
| 1 | _____ | 2 | TMDS DATA 2+ |
| 3 | _____ | 1 | TMDS DATA 2- |
| 2 | _____ | 3 | TMDS DATA 2 SHIELD |
| 4 | _____ | 10 | TMDS DATA 1+ |
| 6 | _____ | 9 | TMDS DATA 1- |
| 5 | _____ | 11 | TMDS DATA 1 SHIELD |
| 7 | _____ | 18 | TMDS DATA 0+ |
| 9 | _____ | 17 | TMDS DATA 0- |
| 8 | _____ | 19 | TMDS DATA 0 SHIELD |
| 10 | _____ | 23 | TMDS CLOCK + |
| 12 | _____ | 24 | TMDS CLOCK - |
| 11 | _____ | 22 | TMDS CLOCK SHIELD |
| 15 | _____ | 6 | DDC CLOCK SCL |
| 16 | _____ | 7 | DDC DATA SDA |
| 17 | _____ | 15 | GROUND +5V&DDC |
| 18 | _____ | 14 | POWER +5V |
| 19 | _____ | 16 | HOT PLUG DETECT |
| SHELL | _____ | SHELL | GROUND |

| | | | | |
|-------------------------|------|------------------|---|------------------------|
| Tolerance Inch M/M | | | | |
| .X | .015 | .30 | | |
| .XX | .010 | .10 | Title | |
| .XXX | .005 | .05 | HDMI 19 FEMALE TO DVI_D 24+KEY MALE ADAPTOR | |
| Draw | | | Customer P/N: AH0001 | |
| FANNIE 04/14/06' | | | | |
| Check | | App'd | Customer: | |
| Engr | | Scale | Units | Third Angle Projection |
| | | Dwg No. 160-1292 | REV:A | Sheet 1/2 |