

BEA-560H

600 Watt



- Efficiency up to 86 %
- Increased interference resistance
- Designed for continuous operation 24/7

The BEA-560H is a PC power supply to combine a high degree of energy efficiency with the robustness of an industrial PC power supply. It meets the 80 PLUS® requirements. The high interference resistance and high-grade components guarantee a long availability of the computer. Another feature of the BEA-560H is a safety clip to prevent accidental disconnection of the mains plug.



AC input

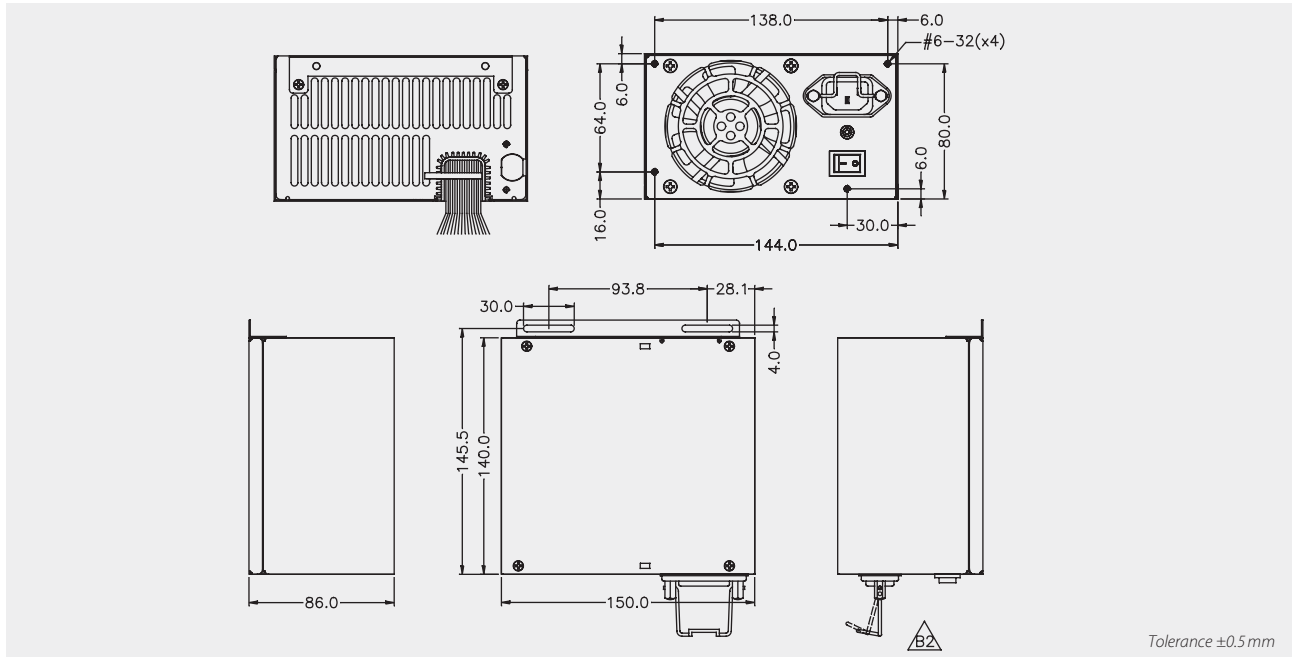
Technical data	
Input voltage	90...264 VAC
Input frequency	47...63 Hz
Input current	10 A (115 VAC) / 5 A (230 VAC)
Inrush current	20 A (115 VAC) / 40 A (220 VAC)
Efficiency	83-86% (at 115 VAC)
Standby consumption	<1.7 W
Hold up time	>16 ms
Power-Good-Signal	Switch on delay 100...500 ms Switch off delay 1 ms
Protection	Short circuit protection: At each output, switch off / +5V _{sb} , auto-recovery Overload protection: 110...150%, switch off Overvoltage protection: +3.3 V (+3.6...+4.3 V), +5 V (+5.6...+6.5 V), +12 V (+13.2...+15 V)
Insulation voltage	Input / Chassis 3100 VDC Input / Output 4242 VDC
Earth leakage current	<1.5 mA, 250 VAC
Safety / EMC	TÜV, UL, CCC, CE, EN61000-6-2, EN61000-6-4
Temperature	Operating: 0...+70°C / Storage: -20...+80°C
Derating	From +50°C...+70°C, 1% / °C
MTBF	>242400 h according to MIL-HDBK-217F at +25°C without fan
Max. operating altitude	3100 m
Humidity	Operating: 10...85% RH, non-condensing / Storage: 10...90% RH, non-condensing
Dimensions (WxDxH)	150 x 140 x 86 mm ±0.5 mm
Weight (net)	2.5 kg

Article No.	Output voltage	Output current		Load regulation	Ripple & Noise
		min	max		
BEA-560H	+3.3V	0 A	25 A	±5 %	50 mV
	+5V	0 A	25 A	±5 %	50 mV
	+12V	0.5 A	45 A	±5 %	120 mV
	-12V	0 A	0.8 A	±5 %	120 mV
	+5V _{sb}	0.1 A	3.5 A	±5 %	50 mV

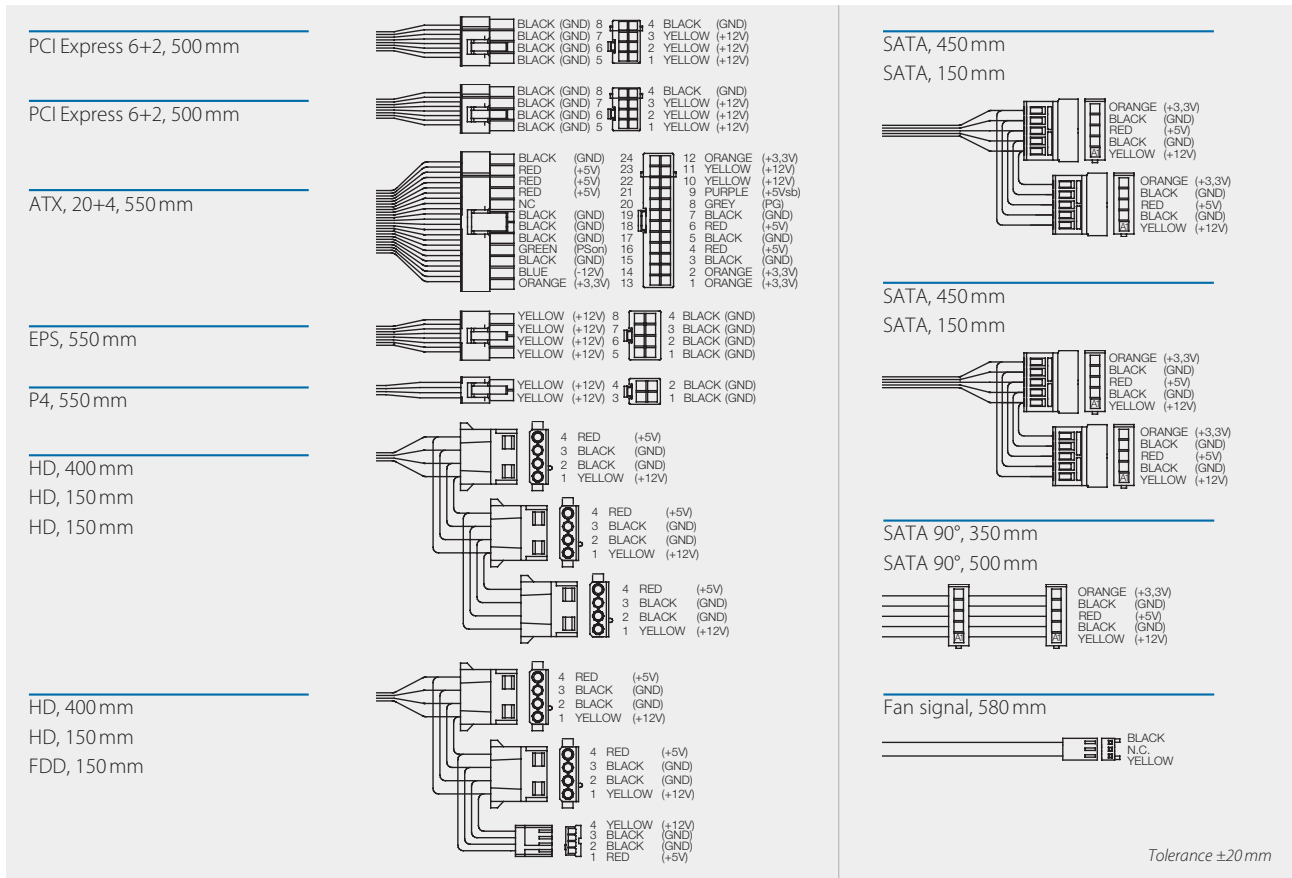
Max. output power is 600W, combined output current at +3.3V and +5V must not exceed 40A. Ripple and noise was measured by a 20 MHz-oscilloscope with connected 220 µF electrolytic capacitor and 0.1 µF ceramic capacitor at each output.

This power supply is for assembly purposes only and it must not be operated in unassembled condition. The final assembly has to comply with the valid EMC standards.

Drawing BEA-560H



Cable harness BEA-560H



Specification is subject to change without notice. Errors excepted. Status as at: 16.12.2014

Optional accessory ▷▷▷ For detailed information please visit our website www.bicker.de and refer to the article number.

Article No.	Description
XI-132	Power cord with European IEC-60320-C13 connector